



Product Catalogue

2014

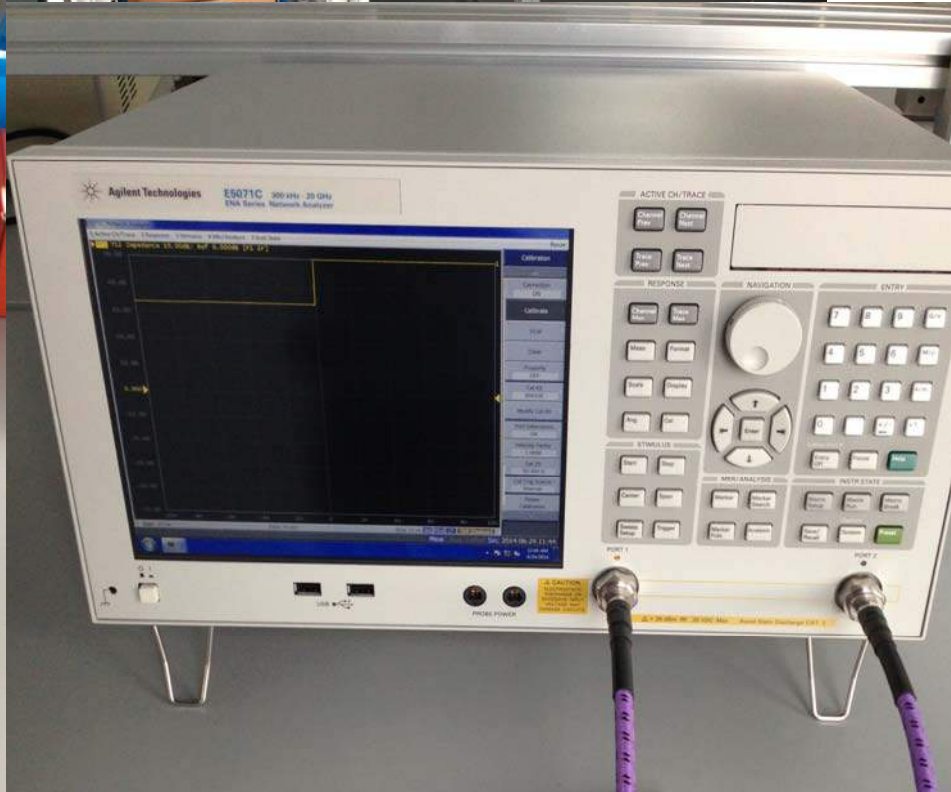




Mechanical Capability



Production capability





Adaptors

	SMA	N	BMA	SMB	MCX	MMCX	SMP	L-SMP	P-SMP	SMP-MAX
N	9	3	10	11	12			13	13	14
SMA	4									
BMA	14									
SMB	15			6						
MCX	16				7					
MMCX	17					7				
SMP	18						8			
L-SMP	19						21			
P-SMP	20								8	
SMP-MAX										8
MBX	20									
MMBX	21									
MFBX	21									
1.0/2.3	20									

Precision Adaptors

	N	3.5mm	2.92mm	2.4mm	7/16
N	22				
3.5mm	28	23			
2.92mm	29	31	24		
2.4mm	30	32	33	25	
7/16	26				22
4.1/9.5	27				

PIM Adaptors

	7/16	4.1/9.5	N
7/16	34	34	35

Terminations

SMA	* * * * *	37
N	* * * * *	37
7/16	* * * * *	38

Test Cables

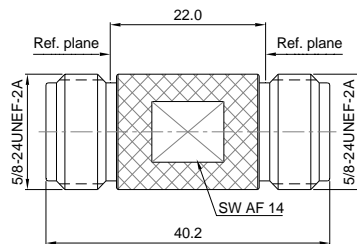
3GHz	* * * * *	39
6GHz	* * * * *	40
18GHz	* * * * *	41

PIM Test Cables

1/2"S	* * * * *	42
3/8"S	* * * * *	43
Flexiform 401	* * * * *	44

PN: 11_03F03F_06_01

N(Female)-N(Female)

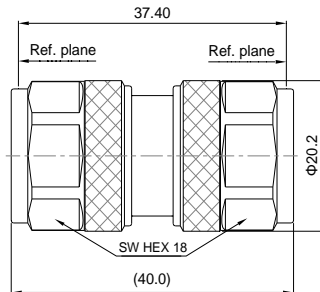


Material:
 Center Contact: Beryllium Copper / Au
 Outer Contact: Brass / CuZnSn
 Body: Brass / CuZnSn
 Insulator: PTFE

VSWR: ≤ 1.08 DC - 3 GHz
 ≤ 1.13 3 - 6 GHz

PN: 11_03M03M_06_01

N(Male)-N(Male)

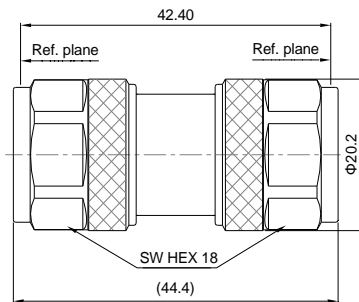


Material:
 Center Contact: Brass / Au
 Outer Contact: Brass / CuZnSn
 Body: Brass / CuZnSn
 Coupling Nut: Brass / CuZnSn
 Insulator: PTFE

VSWR: ≤ 1.08 DC - 3 GHz
 ≤ 1.13 3 - 6 GHz

PN: 11_03M03M_06_02

N(Male)-N(Male)

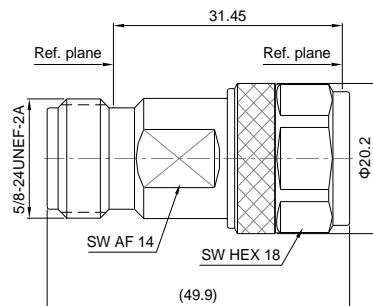


Material:
 Center Contact: Brass / Au
 Outer Contact: Brass / CuZnSn
 Body: Brass / CuZnSn
 Coupling Nut: Brass / CuZnSn
 Insulator: PTFE

VSWR: ≤ 1.08 DC - 3 GHz
 ≤ 1.13 3 - 6 GHz

PN: 11_03F03M_06_01

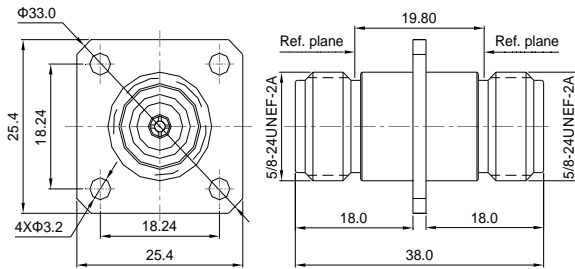
N(Female)-N(Male)



Material:
 Center Contact: Beryllium Copper / Au
 Outer Contact: Brass / CuZnSn
 Body: Brass / CuZnSn
 Coupling Nut: Brass / CuZnSn
 Insulator: PTFE

VSWR: ≤ 1.08 DC - 3 GHz
 ≤ 1.13 3 - 6 GHz

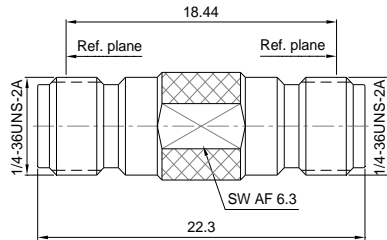
N(Female)-N(Female)



Material:	
Center Contact:	Beryllium Copper / Au
Outer Contact:	Brass / CuZnSn
Body:	Brass / CuZnSn
Insulator:	PTFE
VSWR:	≤ 1.08 DC - 3 GHz
	≤ 1.13 3 - 6 GHz

PN: 11_05F05F_18_01

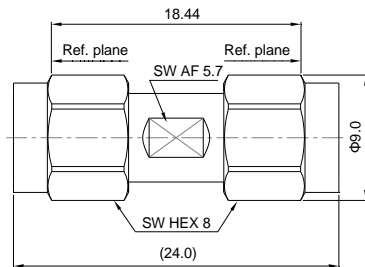
SMA(Female)-SMA(Female)



Material:	
Center Contact:	Beryllium Copper / Au
Body:	Brass / Au
Insulator:	PTFE
VSWR:	≤ 1.05 DC - 6 GHz
	≤ 1.10 6 - 18 GHz

PN: 11_05M05M_18_01

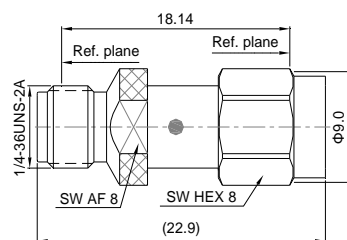
SMA(Male)-SMA(Male)



Material:	
Center Contact:	Brass / Au
Body:	Brass / Au
Coupling Nut:	Brass / Au
Insulator:	PTFE
VSWR:	≤ 1.05 DC - 6 GHz
	≤ 1.10 6 - 18 GHz

PN: 11_05F05M_18_01

SMA(Female)-SMA(Male)



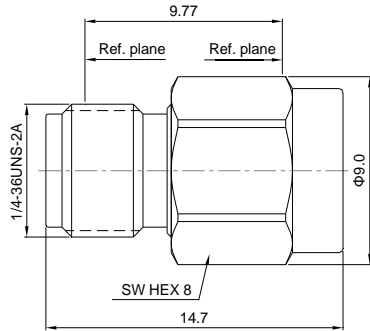
Material:	
Center Contact:	Beryllium Copper / Au
Body:	Brass / Au
Coupling Nut:	Brass / Au
Insulator:	PTFE
VSWR:	≤ 1.05 DC - 6 GHz
	≤ 1.10 6 - 18 GHz



Adaptors(Within Series)

PN: 11_05F05M_18_02

SMA(Female)-SMA(Male)

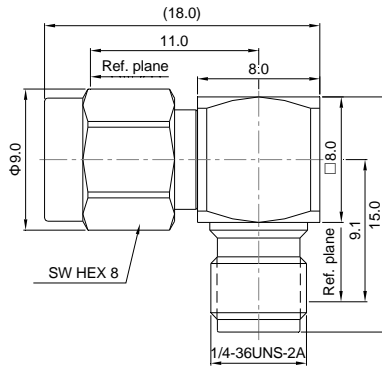


Material:
 Center Contact: Beryllium Copper / Au
 Body: Stainless steel /Passivated
 Coupling Nut: Stainless steel /Passivated
 Insulator: PTFE

VSWR: ≤ 1.05 DC - 6 GHz
 ≤ 1.10 6 - 18 GHz

PN: 11_05F05M_18_03

SMA(Female)-SMA(Male)

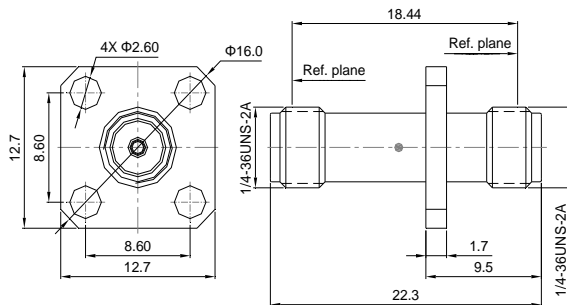


Material:
 Center Contact: Beryllium Copper / Au
 Body: Stainless steel /Passivated
 Coupling Nut: Stainless steel /Passivated
 Insulator: PTFE

VSWR: ≤ 1.10 DC -12 GHz
 ≤ 1.20 12 -18 GHz

PN: 11_05F05F_18_02

SMA(Female)-SMA(Female)

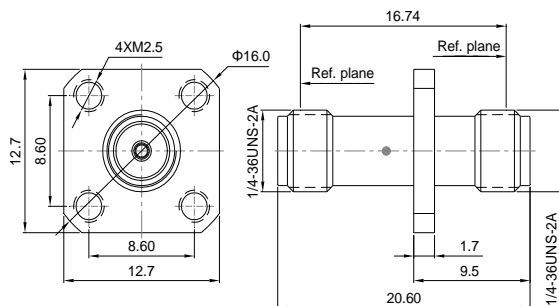


Material:
 Center Contact: Beryllium Copper / Au
 Body: Brass / Au
 Insulator: PTFE

VSWR: ≤ 1.05 DC - 6 GHz
 ≤ 1.10 6 - 18 GHz

PN: 11_05F05F_18_03

SMA(Female)-SMA(Female)



Material:
 Center Contact: Beryllium Copper / Au
 Body: Brass / Au
 Insulator: PTFE

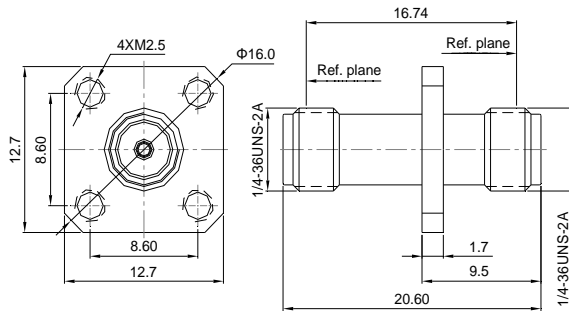
VSWR: ≤ 1.05 DC - 6 GHz
 ≤ 1.10 6 - 18 GHz



Adaptors (Within Series)

PN: 11_05F05F_18_04

SMA(Female)-SMA(Female)

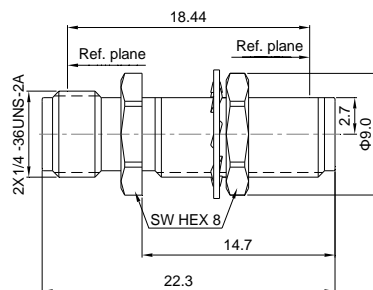


Material:
Center Contact: Beryllium Copper / Au
Body: Stainless steel / Passivated
Insulator: PTFE

VSWR: ≤ 1.05 DC - 6 GHz
 ≤ 1.10 6 - 18 GHz

PN: 11_05F05F_18_05

SMA(Female)-SMA(Female)

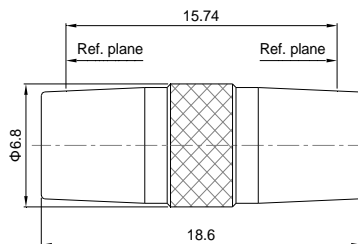


Material:
Center Contact: Beryllium Copper / Au
Body: Brass / Au
Nut: Brass / Au
Lock Washer: Phosphor bronze / Au
Insulator: PTFE

VSWR: ≤ 1.05 DC - 6 GHz
 ≤ 1.10 6 - 18 GHz

PN: 11_06F06F_03_01

SMB(Female)-SMB(Female)

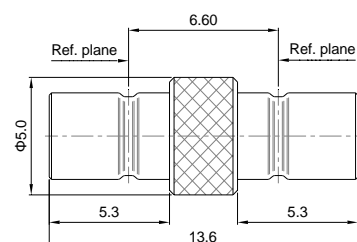


Material:
Center Contact: Beryllium Copper / Au
Outer Contact: Beryllium Copper / Au
Body: Brass / Au
Insulator: PTFE

VSWR: ≤ 1.15 DC - 3 GHz

PN: 11_06M06M_03_01

SMB(Male)-SMB(Male)



Material:
Center Contact: Brass / Au
Body: Brass / Au
Insulator: PTFE

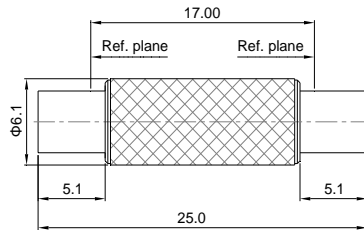
VSWR: ≤ 1.15 DC - 3 GHz



Adaptors(Within Series)

PN: 11_07F07F_03_01

MCX(Female)-MCX(Female)



Material:

Center Contact: Beryllium Copper / Au

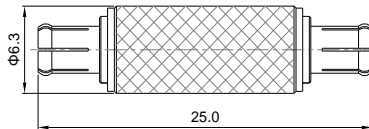
Body: Brass / Au

Insulator: PTFE

VSWR: ≤ 1.10 DC - 3 GHz

PN: 11_07M07M_03_01

MCX(Male)-MCX(Male)



Material:

Center Contact: Brass / Au

Outer Contact: Beryllium Copper / Au

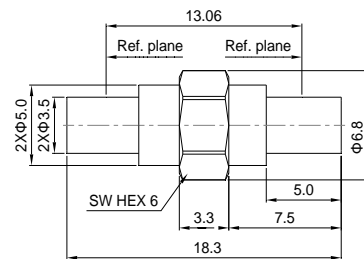
Body: Brass / Au

Insulator: PTFE

VSWR: ≤ 1.10 DC - 3 GHz

PN: 11_08F08F_03_01

MMCX(Female)-MMCX(Female)



Material:

Center Contact: Beryllium Copper / Au

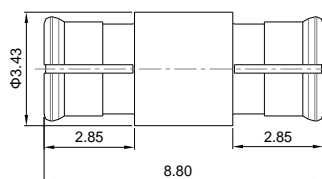
Body: Brass / Au

Insulator: PTFE

VSWR: ≤ 1.10 DC - 3 GHz

PN: 11_09F09F_03_01

SMP(Female)-SMP(Female)



Material:

Center Contact: Beryllium Copper / Au

Body: Beryllium Copper / Au

Insulator: PTFE

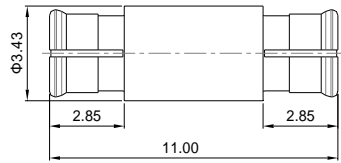
VSWR: ≤ 1.10 DC - 3 GHz
 ≤ 1.15 3 - 6 GHz



Adaptors(Within Series)

PN: 11_09F09F_03_02

SMP(Female)-SMP(Female)



Material:

Center Contact: Beryllium Copper / Au

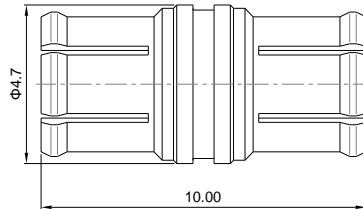
Body: Beryllium Copper / Au

Insulator: PTFE

VSWR: ≤ 1.10 DC - 3 GHz
 ≤ 1.15 3 - 6 GHz

PN: 11_10F10F_03_01

P_SMP(Female)-P_SMP(Female)



Material:

Center Contact: Beryllium Copper / Au

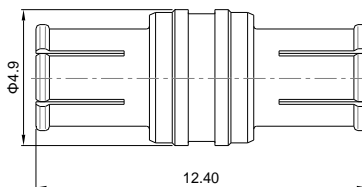
Body: Beryllium Copper / Au

Insulator: PTFE

VSWR: ≤ 1.08 DC - 3 GHz
 ≤ 1.10 3 - 6 GHz

PN: 11_12F12F_03_01

SMP_MAX(Female)-SMP_MAX(Female)



Material:

Center Contact: Beryllium Copper / Au

Outer Contact: Beryllium Copper / Au

Body: Brass / Au

Insulator: PTFE

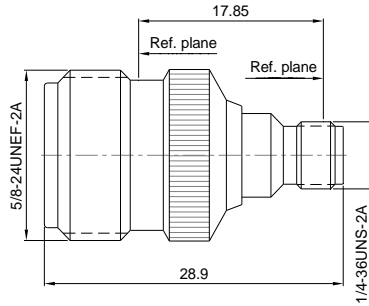
VSWR: ≤ 1.10 DC - 3 GHz



Adaptors (Between Series)

PN: 11_03F05F_18_01

N(Female)-SMA(Female)

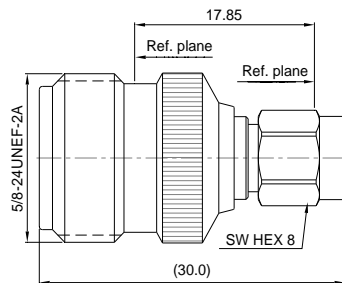


Material:
 Center Contact: Beryllium Copper / Au
 Outer Contact: Beryllium Copper / Au
 Body: Brass / CuZnSn
 Insulator: PTFE

VSWR: ≤ 1.05 DC - 3 GHz
 ≤ 1.10 3 - 12 GHz
 ≤ 1.20 12 - 18 GHz

PN: 11_03F05M_18_01

N(Female)-SMA(Male)

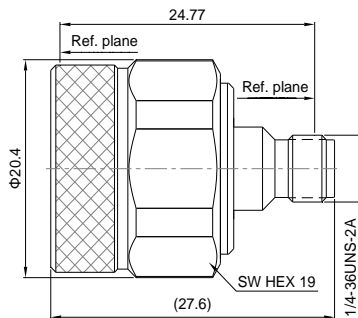


Material:
 Center Contact: Beryllium Copper / Au
 Outer Contact: Beryllium Copper / Au
 Body: Brass / CuZnSn
 Coupling Nut: Stainless steel / Passivated
 Insulator: PTFE

VSWR: ≤ 1.05 DC - 3 GHz
 ≤ 1.10 3 - 12 GHz
 ≤ 1.20 12 - 18 GHz

PN: 11_03M05F_18_01

N(Male)-SMA(Female)

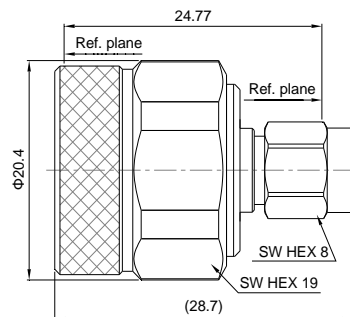


Material:
 Center Contact: Beryllium Copper / Au
 Outer Contact: Beryllium Copper / Au
 Body: Brass / CuZnSn
 Coupling Nut: Stainless steel / Passivated
 Insulator: PTFE

VSWR: ≤ 1.05 DC - 3 GHz
 ≤ 1.10 3 - 12 GHz
 ≤ 1.20 12 - 18 GHz

PN: 11_03M05M_18_01

N(Male)-SMA(Male)



Material:
 Center Contact: Beryllium Copper / Au
 Outer Contact: Beryllium Copper / Au
 Body: Brass / CuZnSn
 Coupling Nut: Stainless steel / Passivated
 Insulator: PTFE

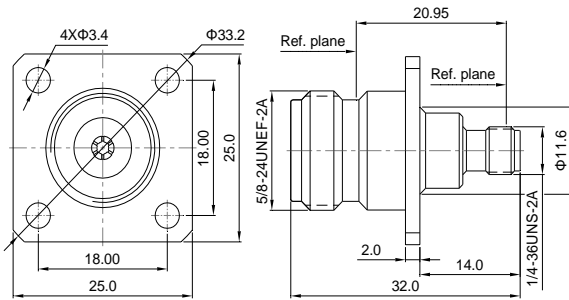
VSWR: ≤ 1.05 DC - 3 GHz
 ≤ 1.10 3 - 12 GHz
 ≤ 1.20 12 - 18 GHz



Adaptors (Between Series)

PN: 11_03F05F_18_02

N(Female)-SMA(Female)

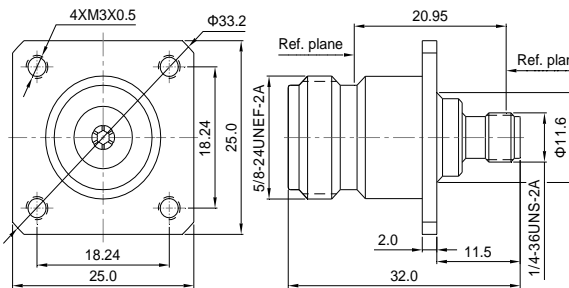


Material:
Center Contact: Beryllium Copper / Au
Body: Brass / CuZnSn
Insulator: PTFE

VSWR: ≤ 1.05 DC - 3 GHz
 ≤ 1.10 3 - 12 GHz
 ≤ 1.20 12 - 18 GHz

PN: 11_03F05F_18_03

N(Female)-SMA(Female)

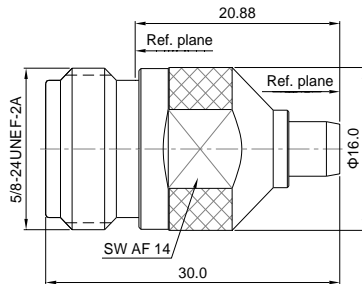


Material:
Center Contact: Beryllium Copper / Au
Body: Stainless steel / Passivated
Insulator: PTFE

VSWR: ≤ 1.05 DC - 3 GHz
 ≤ 1.10 3 - 12 GHz
 ≤ 1.20 12 - 18 GHz

PN: 11_03F04M_06_01

N(Female)-BMA(Male)

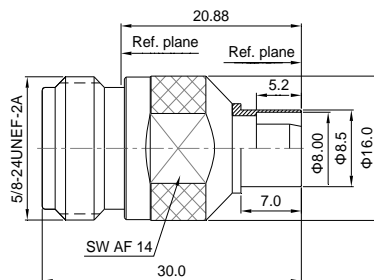


Material:
Center Contact: Beryllium Copper / Au
Body: Brass / CuZnSn
Insulator: PTFE

VSWR: ≤ 1.06 DC - 3 GHz
 ≤ 1.10 3 - 6 GHz

PN: 11_03F04M_06_02

N(Female)-BMA(Male)



Material:
Center Contact: Beryllium Copper / Au
Body: Brass / CuZnSn
Insulator: PTFE

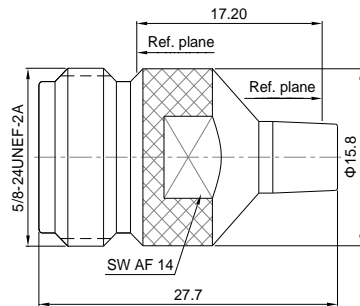
VSWR: ≤ 1.06 DC - 3 GHz
 ≤ 1.10 3 - 6 GHz



Adaptors (Between Series)

PN: 11_03F06F_03_01

N(Female)-SMB(Female)

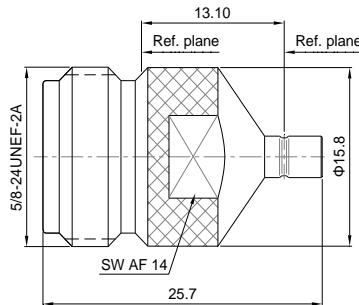


Material:
 Center Contact: Beryllium Copper / Au
 Outer Contact: Beryllium Copper / Au
 Body: Brass / CuZnSn
 Insulator: PTFE

VSWR: ≤ 1.10 DC - 3 GHz

PN: 11_03F06M_03_01

N(Female)-SMB(Male)

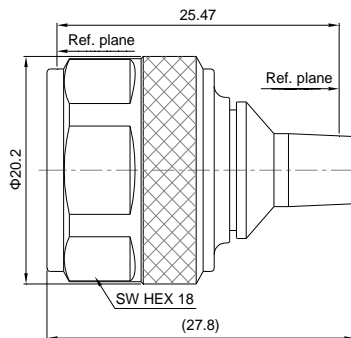


Material:
 Center Contact: Beryllium Copper / Au
 Body: Brass / CuZnSn
 Insulator: PTFE

VSWR: ≤ 1.10 DC - 3 GHz

PN: 11_03M06F_03_01

N(Male)-SMB(Female)

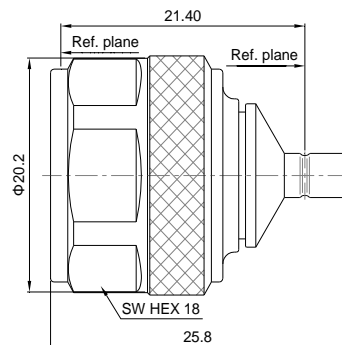


Material:
 Center Contact: Beryllium Copper / Au
 Outer Contact: Beryllium Copper / Au
 Body: Brass / CuZnSn
 Coupling Nut: Brass / CuZnSn
 Insulator: PTFE

VSWR: ≤ 1.10 DC - 3 GHz

PN: 11_03M06FM_03_01

N(Male)-SMB(Male)



Material:
 Center Contact: Brass / Au
 Body: Brass / CuZnSn
 Coupling Nut: Brass / CuZnSn
 Insulator: PTFE

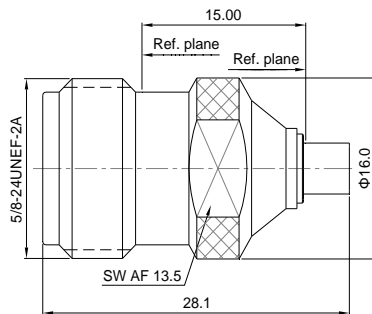
VSWR: ≤ 1.10 DC - 3 GHz



Adaptors (Between Series)

PN: 11_03F07F_03_01

N(Female)-MCX(Female)

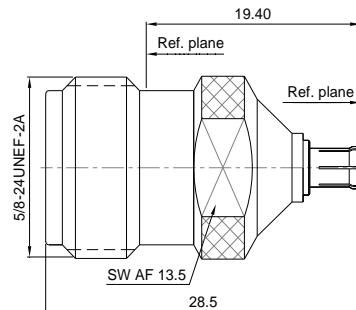


Material:
 Center Contact: Beryllium Copper / Au
 Outer Contact: Brass / Au
 Body: Brass / CuZnSn
 Insulator: PTFE

VSWR: ≤ 1.10 DC - 3 GHz

PN: 11_03F07M_03_01

N(Female)-MCX(Male)

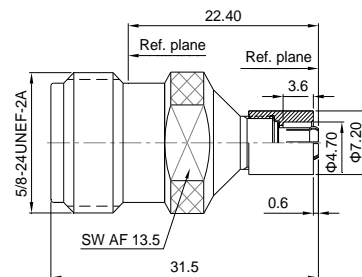


Material:
 Center Contact: Beryllium Copper / Au
 Outer Contact: Beryllium Copper / Au
 Body: Brass / CuZnSn
 Insulator: PTFE

VSWR: ≤ 1.10 DC - 3 GHz

PN: 11_03F07M_03_02

N(Female)-MCX(Male)

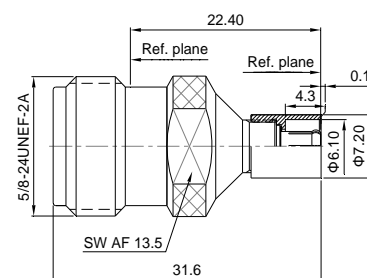


Material:
 Center Contact: Beryllium Copper / Au
 Outer Contact: Beryllium Copper / Au
 Body: Brass / CuZnSn
 Insulator: PTFE

VSWR: ≤ 1.10 DC - 3 GHz

PN: 11_03F07M_03_03

N(Female)-MCX(Male)

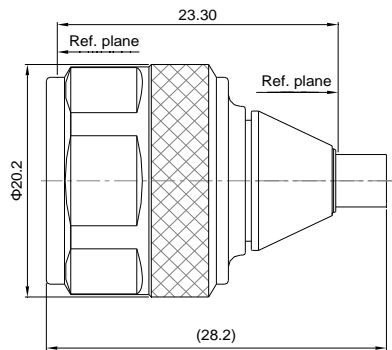


Material:
 Center Contact: Beryllium Copper / Au
 Outer Contact: Beryllium Copper / Au
 Body: Brass / CuZnSn
 Insulator: PTFE

VSWR: ≤ 1.10 DC - 3 GHz

PN: 11_03M07F_03_01

N(Male)-MCX(Female)

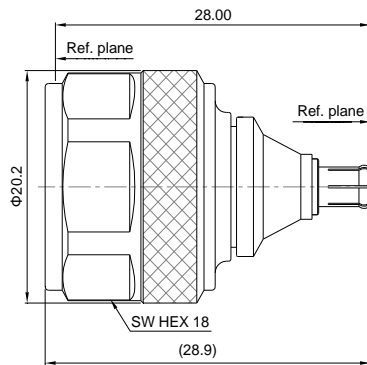


Material:
 Center Contact: Beryllium Copper / Au
 Outer Contact: Brass / Au
 Body: Brass / CuZnSn
 Coupling Nut: Brass / CuZnSn
 Insulator: PTFE

VSWR: ≤ 1.10 DC - 3 GHz

PN: 11_03M07M_03_01

N(Male)-MCX(Male)

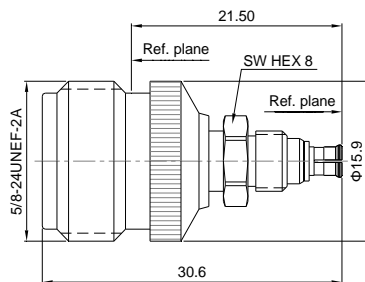


Material:
 Center Contact: Brass / Au
 Outer Contact: Beryllium Copper / Au
 Body: Brass / CuZnSn
 Coupling Nut: Brass / CuZnSn
 Insulator: PTFE

VSWR: ≤ 1.10 DC - 3 GHz

PN: 11_03F11F_03_01

N(Female)-L_SMP(Female)

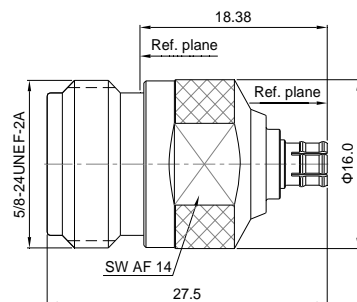


Material:
 Center Contact: Beryllium Copper / Au
 Outer Contact: Beryllium Copper / Au
 Body: Brass / CuZnSn
 Insulator: PTFE

VSWR: ≤ 1.10 DC - 3 GHz

PN: 11_03F10F_03_01

N(Female)-P_SMP(Female)



Material:
 Center Contact: Beryllium Copper / Au
 Outer Contact: Beryllium Copper / Au
 Body: Brass / CuZnSn
 Insulator: PTFE

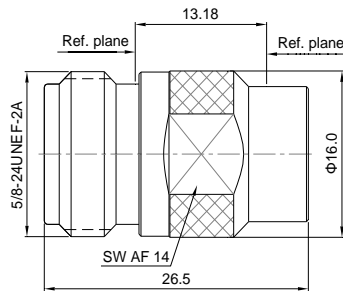
VSWR: ≤ 1.05 DC - 3 GHz
 ≤ 1.10 3 - 6 GHz



Adaptors (Between Series)

PN: 11_03F10M_03_01

N(Female)-P_SMP(Male)

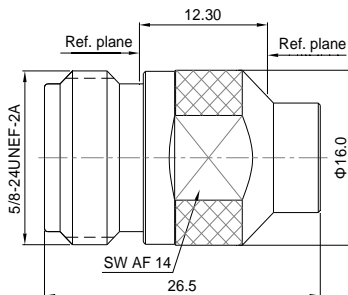


Material:
 Center Contact: Beryllium Copper / Au
 Body: Brass / CuZnSn
 Insulator: PTFE

VSWR: ≤ 1.05 DC - 3 GHz
 ≤ 1.10 3 - 6 GHz

PN: 11_03F12M_03_01

N(Female)-SMP_MAX(Male)

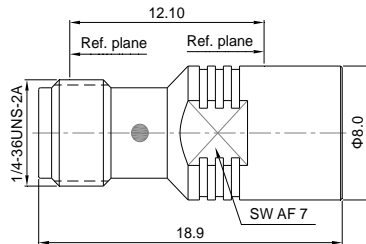


Material:
 Center Contact: Beryllium Copper / Au
 Body: Brass / CuZnSn
 Insulator: PTFE

VSWR: ≤ 1.10 DC - 3 GHz

PN: 11_05F04F_06_01

SMA(Female)-BMA(Female)

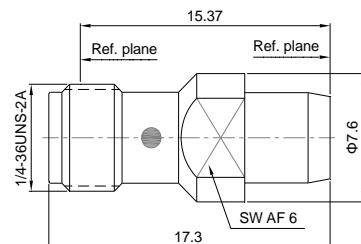


Material:
 Center Contact: Beryllium Copper / Au
 Outer Contact: Beryllium Copper / Au
 Body: Brass / Au
 Insulator: PTFE

VSWR: ≤ 1.07 DC - 3 GHz
 ≤ 1.10 3 - 6 GHz

PN: 11_05F04M_06_01

SMA(Female)-BMA(Male)



Material:
 Center Contact: Beryllium Copper / Au
 Body: Brass / Au
 Insulator: PTFE

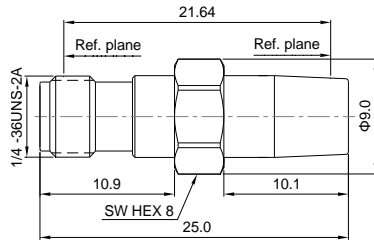
VSWR: ≤ 1.07 DC - 3 GHz
 ≤ 1.10 3 - 6 GHz



Adaptors (Between Series)

PN: 11_05F06F_03_01

SMA(Female)-SMB(Female)



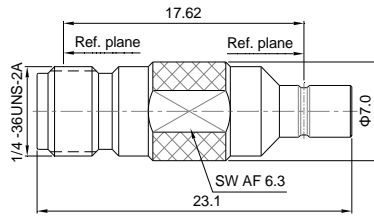
Material:

Center Contact: Beryllium Copper / Au
 Outer Contact: Beryllium Copper / Au
 Body: Brass / Au
 Insulator: PTFE

VSWR: ≤ 1.10 DC - 3 GHz

PN: 11_05F06M_03_01

SMA(Female)-SMB(Male)



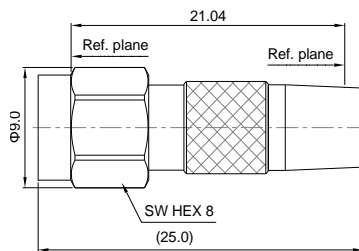
Material:

Center Contact: Beryllium Copper / Au
 Body: Brass / Au
 Insulator: PTFE

VSWR: ≤ 1.10 DC - 3 GHz

PN: 11_05M06F_03_01

SMA(Male)-SMB(Female)



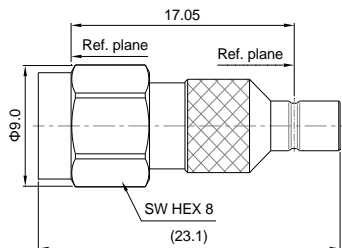
Material:

Center Contact: Beryllium Copper / Au
 Outer Contact: Beryllium Copper / Au
 Body: Brass / Au
 Coupling Nut: Brass / Au
 Insulator: PTFE

VSWR: ≤ 1.10 DC - 3 GHz

PN: 11_05M06M_03_01

SMA(Male)-SMB(Male)



Material:

Center Contact: Brass / Au
 Body: Brass / Au
 Coupling Nut: Brass / Au
 Insulator: PTFE

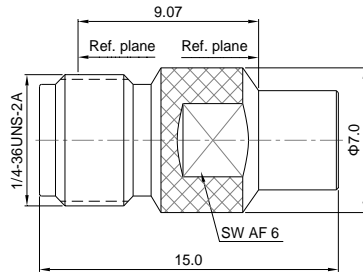
VSWR: ≤ 1.10 DC - 3 GHz



Adaptors (Between Series)

PN: 11_05F07F_03_01

SMA(Female)-MCX(Female)

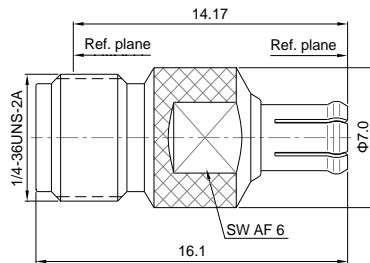


Material:
 Center Contact: Beryllium Copper / Au
 Body: Brass / Au
 Insulator: PTFE

VSWR: ≤ 1.10 DC - 3 GHz

PN: 11_05F07M_03_01

SMA(Female)-MCX(Male)

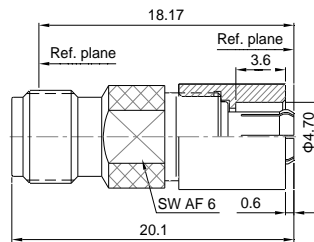


Material:
 Center Contact: Beryllium Copper / Au
 Outer Contact: Beryllium Copper / Au
 Body: Brass / Au
 Insulator: PTFE

VSWR: ≤ 1.10 DC - 3 GHz

PN: 11_05F07M_03_02

SMA(Female)-MCX(Male)

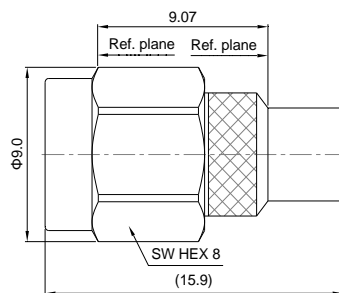


Material:
 Center Contact: Beryllium Copper / Au
 Outer Contact: Beryllium Copper / Au
 Body: Brass / Au
 Insulator: PTFE

VSWR: ≤ 1.10 DC - 3 GHz

PN: 11_05M07F_03_01

SMA(Male)-MCX(Female)



Material:
 Center Contact: Beryllium Copper / Au
 Body: Brass / Au
 Coupling Nut: Brass / Au
 Insulator: PTFE

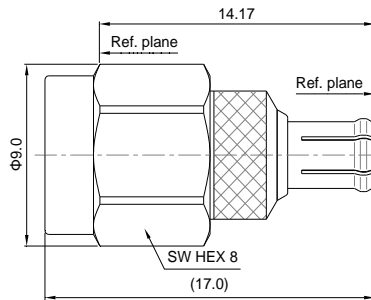
VSWR: ≤ 1.10 DC - 3 GHz



Adaptors (Between Series)

PN: 11_05M07M_03_01

SMA(Male)-MCX(Male)



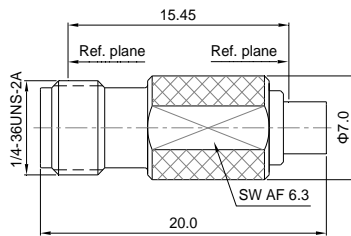
Material:

Center Contact: Brass / Au
 Outer Contact: Beryllium Copper / Au
 Body: Brass / Au
 Coupling Nut: Brass / Au
 Insulator: PTFE

VSWR: ≤ 1.10 DC - 3 GHz

PN: 11_05F08F_03_01

SMA(Female)-MMCX(Female)



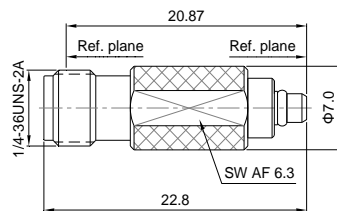
Material:

Center Contact: Beryllium Copper / Au
 Body: Brass / Au
 Insulator: PTFE

VSWR: ≤ 1.10 DC - 3 GHz

PN: 11_05F08M_03_01

SMA(Female)-MMCX(Male)



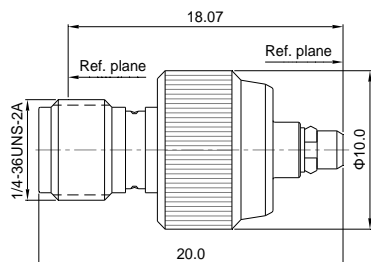
Material:

Center Contact: Beryllium Copper / Au
 Spring Ring: Beryllium Copper / Au
 Body: Brass / Au
 Insulator: PTFE

VSWR: ≤ 1.10 DC - 3 GHz

PN: 11_05F08M_03_02

SMA(Female)-MMCX(Male)



Material:

Center Contact: Beryllium Copper / Au
 Spring Ring: Beryllium Copper / Au
 Body: Brass / Au
 Insulator: PTFE

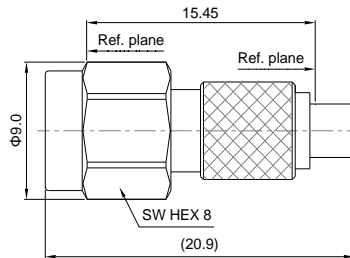
VSWR: ≤ 1.10 DC - 3 GHz



Adaptors (Between Series)

PN: 11_05M08F_03_01

SMA(Male)-MMCX(Female)



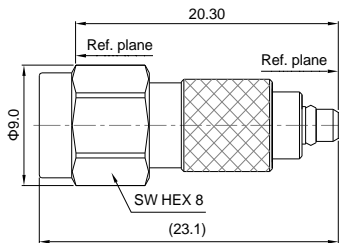
Material:

Center Contact: Beryllium Copper / Au
 Body: Brass / Au
 Coupling Nut: Brass / Au
 Insulator: PTFE

VSWR: ≤ 1.10 DC - 3 GHz

PN: 11_05M08M_03_01

SMA(Male)-MMCX(Male)



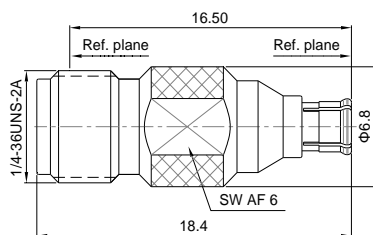
Material:

Center Contact: Brass / Au
 Spring Ring: Beryllium Copper / Au
 Body: Brass / Au
 Coupling Nut: Brass / Au
 Insulator: PTFE

VSWR: ≤ 1.10 DC - 3 GHz

PN: 11_05F09F_03_01

SMA(Female)-SMP(Female)



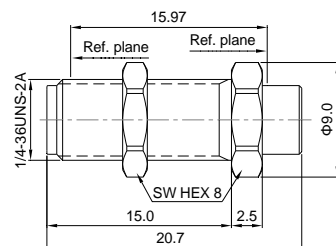
Material:

Center Contact: Beryllium Copper / Au
 Body: Beryllium Copper / Au
 Insulator: PTFE

VSWR: ≤ 1.10 DC - 3 GHz

PN: 11_05F09M_06_01

SMA(Female)-SMP(Male)



Material:

Center Contact: Beryllium Copper / Au
 Body: Brass / Au
 Nut: Brass / Au
 Insulator: PTFE

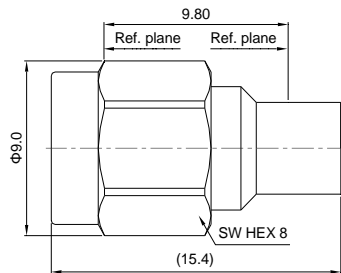
VSWR: ≤ 1.10 DC - 3 GHz
 ≤ 1.15 3 - 6 GHz



Adaptors (Between Series)

PN: 11_05M09M_03_01

SMA(Male)-SMP(Male)



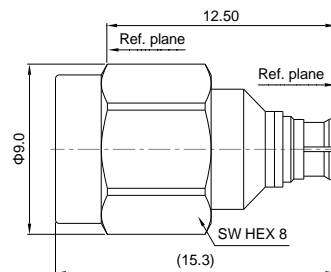
Material:

Center Contact: Brass / Au
 Body: Brass / Au
 Coupling Nut: Brass / Au
 Insulator: PTFE

VSWR: ≤ 1.10 DC - 3 GHz

PN: 11_05M09F_03_01

SMA(Male)-SMP(Female)



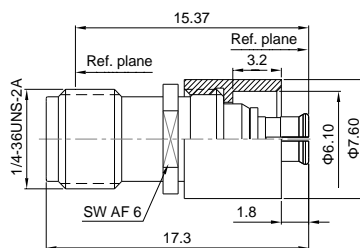
Material:

Center Contact: Beryllium Copper / Au
 Body: Beryllium Copper / Au
 Coupling Nut: Brass / Au
 Insulator: PTFE

VSWR: ≤ 1.10 DC - 3 GHz

PN: 11_05F11F_03_01

SMA(Female)-L_SMP(Female)



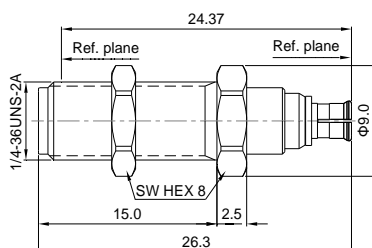
Material:

Center Contact: Beryllium Copper / Au
 Outer Contact: Beryllium Copper / Au
 Body: Brass / Au
 Insulator: PTFE

VSWR: ≤ 1.10 DC - 3 GHz

PN: 11_05F11F_03_02

SMA(Female)-L_SMP(Female)



Material:

Center Contact: Beryllium Copper / Au
 Outer Contact: Beryllium Copper / Au
 Body: Brass / Au
 Nut: Brass / Au
 Insulator: PTFE

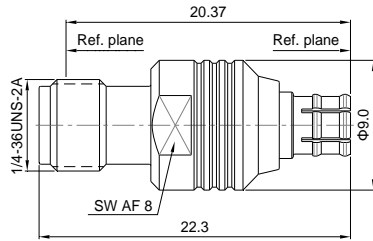
VSWR: ≤ 1.10 DC - 3 GHz



Adaptors (Between Series)

PN: 11_05F10F_03_01

SMA(Female)-P_SMP(Female)

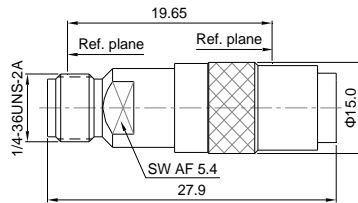


Material:
 Center Contact: Beryllium Copper / Au
 Outer Contact: Beryllium Copper / Au
 Body: Brass / Au
 Insulator: PTFE

VSWR: ≤ 1.10 DC - 3 GHz

PN: 11_05F19M_06_01

SMA(Female)-1.0/2.3(Male)

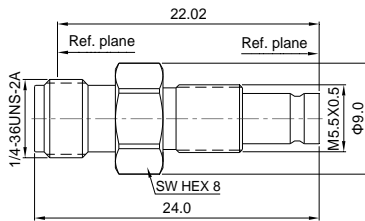


Material:
 Center Contact: Beryllium Copper / Au
 Outer Contact: Beryllium Copper / Au
 Body: Brass / Au
 Insulator: PTFE

VSWR: ≤ 1.05 DC - 3 GHz
 ≤ 1.10 3 - 6 GHz

PN: 11_05F19F_06_01

SMA(Female)-1.0/2.3(Female)

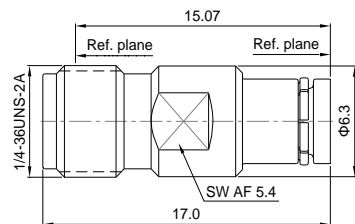


Material:
 Center Contact: Beryllium Copper / Au
 Body: Brass / Au
 Insulator: PTFE

VSWR: ≤ 1.05 DC - 3 GHz
 ≤ 1.10 3 - 6 GHz

PN: 11_05F13M_03_01

SMA(Female)-MBX(Male)



Material:
 Center Contact: Beryllium Copper / Au
 Outer Contact: Beryllium Copper / Au
 Body: Brass / Au
 Insulator: PTFE

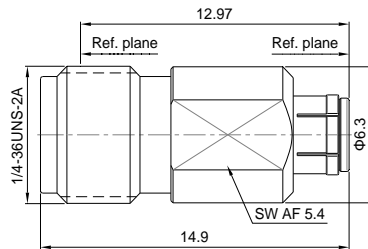
VSWR: ≤ 1.10 DC - 3 GHz



Adaptors(Between Series)

PN: 11_05F14M_03_01

SMA(Female)-MMBX(Male)



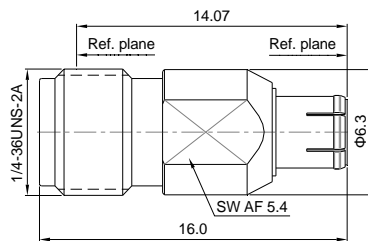
Material:

Center Contact: Beryllium Copper / Au
Outer Contact: Beryllium Copper / Au
Body: Brass / Au
Insulator: PTFE

VSWR: ≤ 1.10 DC - 3 GHz

PN: 11_05F15M_03_01

SMA(Female)-MFBX(Male)



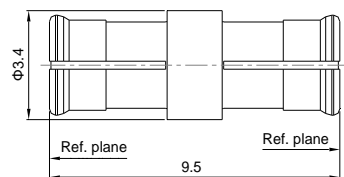
Material:

Center Contact: Beryllium Copper / Au
Outer Contact: Beryllium Copper / Au
Body: Brass / Au
Insulator: PTFE

VSWR: ≤ 1.10 DC - 3 GHz

PN: 11_09F11F_03_01

SMP(Female)-L_SMP(Female)



Material:

Center Contact: Beryllium Copper / Au
Body: Beryllium Copper / Au
Insulator: PTFE

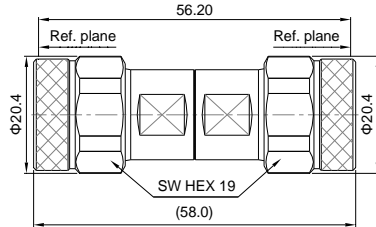
VSWR: ≤ 1.10 DC - 3 GHz



Precision Adaptors (Within Series)

PN: 21_03M03M_18_01

N(Male)-N(Male)



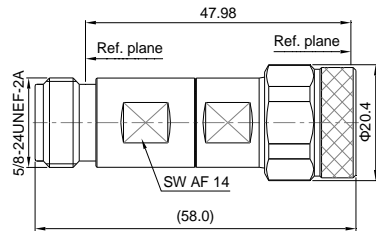
Material:

Center Contact: Beryllium Copper / Au
 Outer Contact: Beryllium Copper / Au
 Body: Stainless steel / Passivated
 Coupling Nut: Stainless steel / Passivated
 Insulator: PEI

VSWR: ≤ 1.03 DC - 6 GHz
 ≤ 1.08 6 - 18 GHz

PN: 21_03F03M_18_01

N(Female)-N(Male)



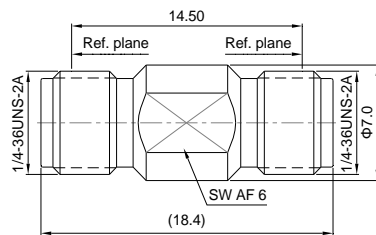
Material:

Center Contact: Beryllium Copper / Au
 Outer Contact: Beryllium Copper / Au
 Body: Stainless steel / Passivated
 Coupling Nut: Stainless steel / Passivated
 Insulator: PEI

VSWR: ≤ 1.03 DC - 6 GHz
 ≤ 1.08 6 - 18 GHz

PN: 21_16F16F_26.5_01

3.5mm(Female)-3.5mm(Female)



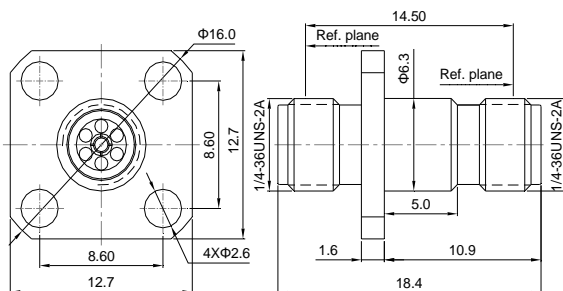
Material:

Center Contact: Beryllium Copper / Au
 Body: Stainless steel / Passivated
 Insulator: PEI

VSWR: ≤ 1.05 DC - 20 GHz
 ≤ 1.08 20 - 26.5 GHz

PN: 21_16F16F_26.5_02

3.5mm(Female)-3.5mm(Female)



Material:

Center Contact: Beryllium Copper / Au
 Body: Stainless steel / Passivated
 Insulator: PEI

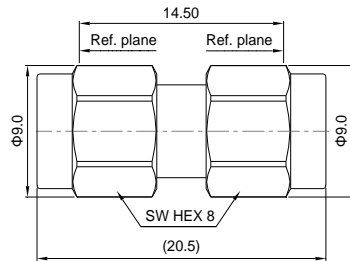
VSWR: ≤ 1.05 DC - 20 GHz
 ≤ 1.08 20 - 26.5 GHz



Precision Adaptors (Within Series)

PN: 21_16M16M_26.5_01

3.5mm(Male)-3.5mm(Male)



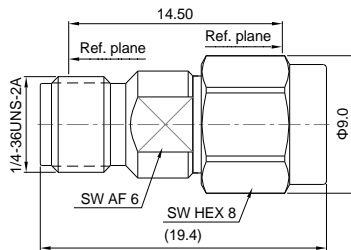
Material:

Center Contact: Beryllium Copper / Au
Body: Stainless steel /Passivated
Coupling Nut: Stainless steel /Passivated
Insulator: PEI

VSWR: ≤ 1.05 DC - 20 GHz
 ≤ 1.08 20 -26.5 GHz

PN: 21_16F16M_26.5_01

3.5mm(Female)-3.5mm(Male)



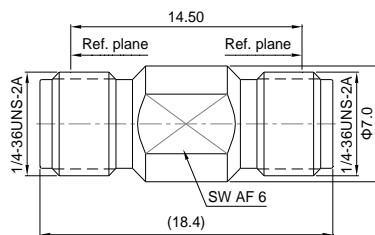
Material:

Center Contact: Beryllium Copper / Au
Body: Stainless steel /Passivated
Coupling Nut: Stainless steel /Passivated
Insulator: PEI

VSWR: ≤ 1.05 DC - 20 GHz
 ≤ 1.08 20 -26.5 GHz

PN: 21_17F17F_40_01

2.92mm(Female)-2.92mm(Female)



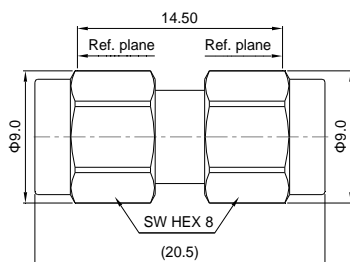
Material:

Center Contact: Beryllium Copper / Au
Body: Stainless steel /Passivated
Insulator: PEI

VSWR: ≤ 1.08 DC -20 GHz
 ≤ 1.15 20 -40 GHz

PN: 21_17M17M_40_01

2.92mm(Male)-2.92mm(Male)



Material:

Center Contact: Beryllium Copper / Au
Body: Stainless steel /Passivated
Coupling Nut: Stainless steel /Passivated
Insulator: PEI

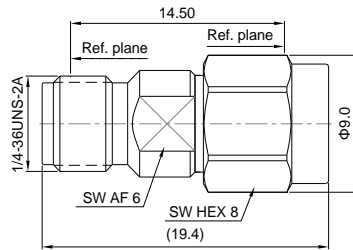
VSWR: ≤ 1.08 DC -20 GHz
 ≤ 1.15 20 -40 GHz



Precision Adaptors (Within Series)

PN: 21_17F17M_40_01

2.92mm(Female)-2.92mm(Male)



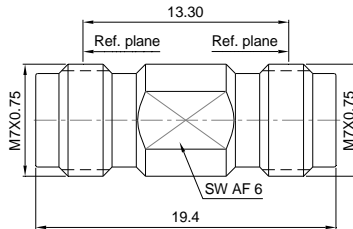
Material:

Center Contact: Beryllium Copper / Au
 Body: Stainless steel /Passivated
 Coupling Nut: Stainless steel /Passivated
 Insulator: PEI

VSWR: ≤ 1.08 DC -20 GHz
 ≤ 1.15 20 -40 GHz

PN: 21_18F18F_50_01

2.4mm(Female)-2.4mm(Female)



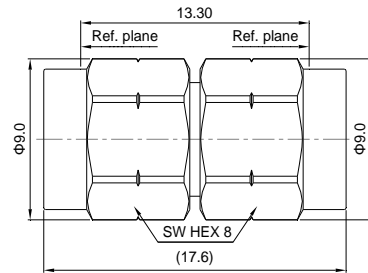
Material:

Center Contact: Beryllium Copper / Au
 Body: Stainless steel /Passivated
 Insulator: PEI

VSWR: ≤ 1.08 DC -20 GHz
 ≤ 1.12 20 -40 GHz
 ≤ 1.15 20 -50 GHz

PN: 21_18M18M_50_01

2.4mm(Male)-2.4mm(Male)



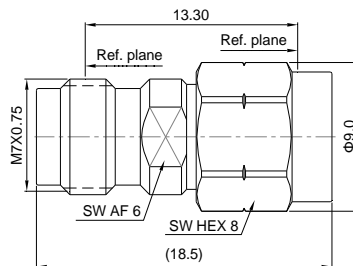
Material:

Center Contact: Beryllium Copper / Au
 Body: Stainless steel /Passivated
 Coupling Nut: Stainless steel /Passivated
 Insulator: PEI

VSWR: ≤ 1.08 DC -20 GHz
 ≤ 1.12 20 -40 GHz
 ≤ 1.15 20 -50 GHz

PN: 21_18F18M_50_01

2.4mm(Female)-2.4mm(Male)



Material:

Center Contact: Beryllium Copper / Au
 Body: Stainless steel /Passivated
 Coupling Nut: Stainless steel /Passivated
 Insulator: PEI

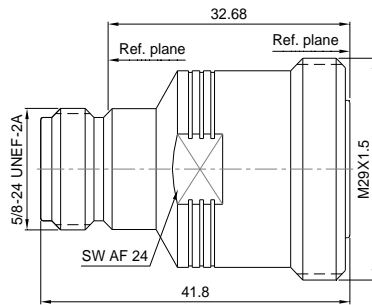
VSWR: ≤ 1.08 DC -20 GHz
 ≤ 1.12 20 -40 GHz
 ≤ 1.15 20 -50 GHz



Precision Adaptors (Between Series)

PN: 21_03F01F_7.5_01

N(Female)-7/16(Female)

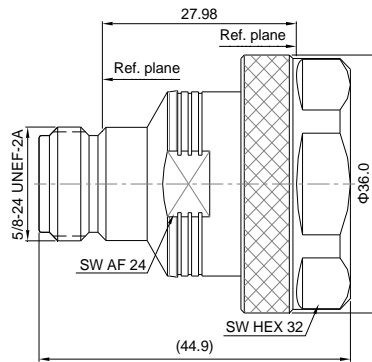


Material:
 Center Contact: Beryllium Copper / Ag
 Outer Contact: Brass / CuZnSn
 Body: Brass / CuZnSn
 Insulator: PTFE

VSWR: ≤ 1.03 DC - 7.5 GHz

PN: 21_03F01M_7.5_01

N(Female)-7/16(Male)

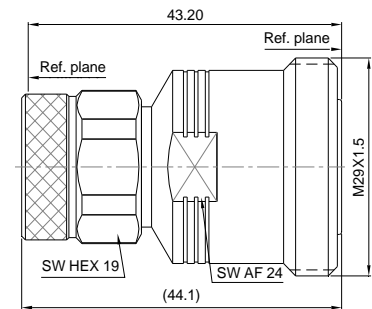


Material:
 Center Contact: Beryllium Copper / Ag
 Outer Contact: Brass / CuZnSn
 Body: Brass / CuZnSn
 Coupling Nut: Brass / CuZnSn
 Insulator: PTFE

VSWR: ≤ 1.03 DC - 7.5 GHz

PN: 21_03M01F_7.5_01

N(Male)-7/16(Female)

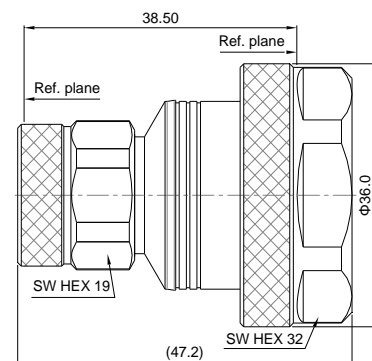


Material:
 Center Contact: Beryllium Copper / Ag
 Outer Contact: Brass / CuZnSn
 Body: Brass / CuZnSn
 Coupling Nut: Stainless steel / Passivated
 Insulator: PTFE

VSWR: ≤ 1.03 DC - 7.5 GHz

PN: 21_03M01M_7.5_01

N(Male)-7/16(Male)



Material:
 Center Contact: Beryllium Copper / Ag
 Outer Contact: Brass / CuZnSn
 Body: Brass / CuZnSn
 Coupling Nut(N): Stainless steel / Passivated
 Coupling Nut(7/16): Brass / CuZnSn
 Insulator: PTFE

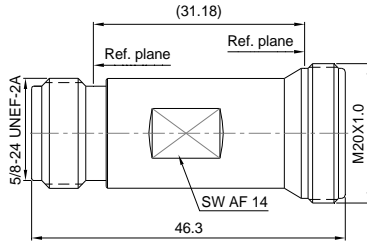
VSWR: ≤ 1.03 DC - 7.5 GHz



Precision Adaptors (Between Series)

PN: 21_03F02F_14_01

N(Female)-4.1/9.5(Female)

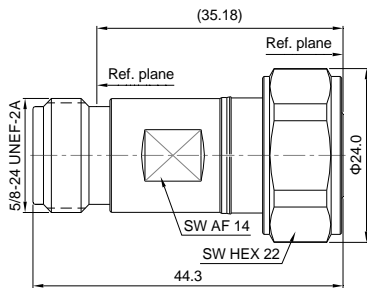


Material:
 Center Contact: Beryllium Copper / Au
 Outer Contact: Beryllium Copper / Au
 Body: Stainless steel / Passivated
 Insulator: PEI

VSWR: ≤ 1.03 DC - 6 GHz
 ≤ 1.08 6 - 14 GHz

PN: 21_03F02M_14_01

N(Female)-4.1/9.5(Male)

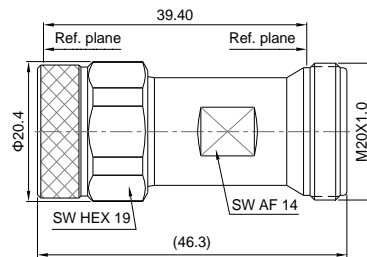


Material:
 Center Contact: Beryllium Copper / Au
 Outer Contact: Beryllium Copper / Au
 Body: Stainless steel / Passivated
 Coupling Nut: Stainless steel / Passivated
 Insulator: PEI

VSWR: ≤ 1.03 DC - 6 GHz
 ≤ 1.08 6 - 14 GHz

PN: 21_03M02F_14_01

N(Male)-4.1/9.5(Female)

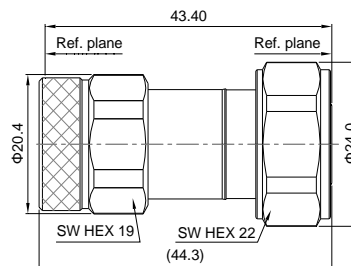


Material:
 Center Contact: Beryllium Copper / Au
 Outer Contact: Beryllium Copper / Au
 Body: Stainless steel / Passivated
 Coupling Nut: Stainless steel / Passivated
 Insulator: PEI

VSWR: ≤ 1.03 DC - 6 GHz
 ≤ 1.08 6 - 14 GHz

PN: 21_03M02M_14_01

N(Male)-4.1/9.5(Male)



Material:
 Center Contact: Beryllium Copper / Au
 Outer Contact: Beryllium Copper / Au
 Body: Stainless steel / Passivated
 Coupling Nut: Stainless steel / Passivated
 Insulator: PEI

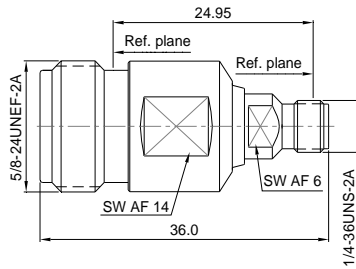
VSWR: ≤ 1.03 DC - 6 GHz
 ≤ 1.08 6 - 14 GHz



Precision Adaptors (Between Series)

PN: 21_03F16F_18_01

N(Female)-3.5mm(Female)

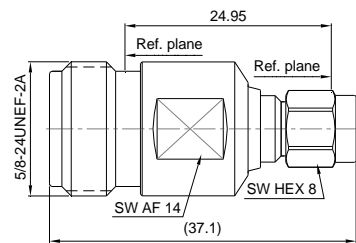


Material:
 Center Contact: Beryllium Copper / Au
 Outer Contact: Beryllium Copper / Au
 Body: Stainless steel / Passivated
 Insulator: PEI

VSWR: ≤ 1.03 DC - 6 GHz
 ≤ 1.08 6 - 18 GHz

PN: 21_03F16M_18_01

N(Female)-3.5mm(Male)

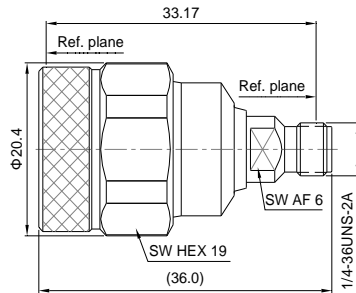


Material:
 Center Contact: Beryllium Copper / Au
 Outer Contact: Beryllium Copper / Au
 Body: Stainless steel / Passivated
 Coupling Nut: Stainless steel / Passivated
 Insulator: PEI

VSWR: ≤ 1.03 DC - 6 GHz
 ≤ 1.08 6 - 18 GHz

PN: 21_03M16F_18_01

N(Male)-3.5mm(Female)

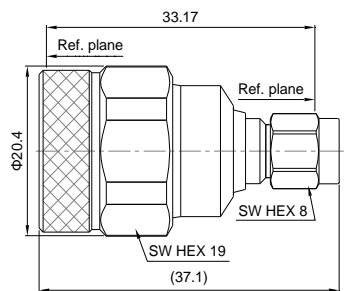


Material:
 Center Contact: Beryllium Copper / Au
 Outer Contact: Beryllium Copper / Au
 Body: Stainless steel / Passivated
 Coupling Nut: Stainless steel / Passivated
 Insulator: PEI

VSWR: ≤ 1.03 DC - 6 GHz
 ≤ 1.08 6 - 18 GHz

PN: 21_03M16M_18_01

N(Male)-3.5mm(Male)



Material:
 Center Contact: Beryllium Copper / Au
 Outer Contact: Beryllium Copper / Au
 Body: Stainless steel / Passivated
 Coupling Nut: Stainless steel / Passivated
 Insulator: PEI

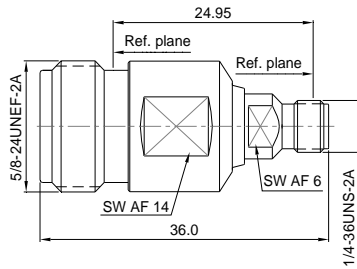
VSWR: ≤ 1.03 DC - 6 GHz
 ≤ 1.08 6 - 18 GHz



Precision Adaptors (Between Series)

PN: 21_03F17F_18_01

N(Female)-2.92mm(Female)

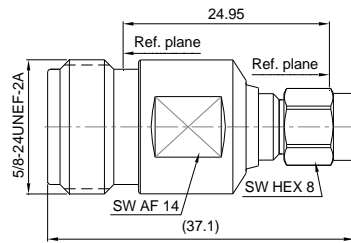


Material:
 Center Contact: Beryllium Copper / Au
 Outer Contact: Beryllium Copper / Au
 Body: Stainless steel / Passivated
 Insulator: PEI

VSWR: ≤ 1.03 DC - 6 GHz
 ≤ 1.08 6 - 18 GHz

PN: 21_03F17M_18_01

N(Female)-2.92mm(Male)

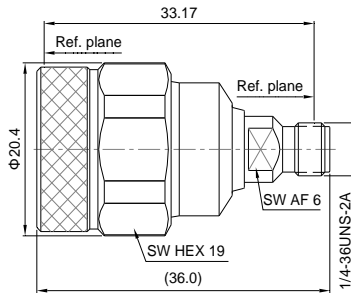


Material:
 Center Contact: Beryllium Copper / Au
 Outer Contact: Beryllium Copper / Au
 Body: Stainless steel / Passivated
 Coupling Nut: Stainless steel / Passivated
 Insulator: PEI

VSWR: ≤ 1.03 DC - 6 GHz
 ≤ 1.08 6 - 18 GHz

PN: 21_03M17F_18_01

N(Male)-2.92mm(Female)

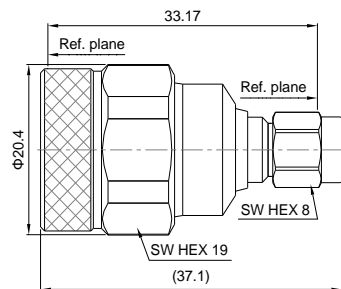


Material:
 Center Contact: Beryllium Copper / Au
 Outer Contact: Beryllium Copper / Au
 Body: Stainless steel / Passivated
 Coupling Nut: Stainless steel / Passivated
 Insulator: PEI

VSWR: ≤ 1.03 DC - 6 GHz
 ≤ 1.08 6 - 18 GHz

PN: 21_03M17M_18_01

N(Male)-2.92mm(Male)



Material:
 Center Contact: Beryllium Copper / Au
 Outer Contact: Beryllium Copper / Au
 Body: Stainless steel / Passivated
 Coupling Nut: Stainless steel / Passivated
 Insulator: PEI

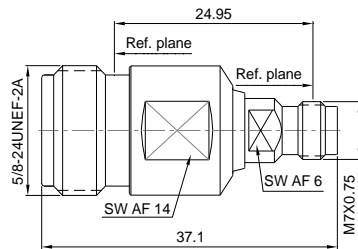
VSWR: ≤ 1.03 DC - 6 GHz
 ≤ 1.08 6 - 18 GHz



Precision Adaptors (Between Series)

PN: 21_03F18F_18_01

N(Female)-2.4mm(Female)

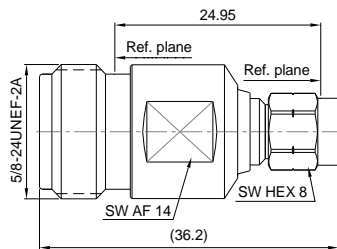


Material:
 Center Contact: Beryllium Copper / Au
 Outer Contact: Beryllium Copper / Au
 Body: Stainless steel /Passivated
 Insulator: PEI

VSWR: ≤ 1.03 DC - 6 GHz
 ≤ 1.08 6 - 18 GHz

PN: 21_03F18M_18_01

N(Female)-2.4mm(Male)

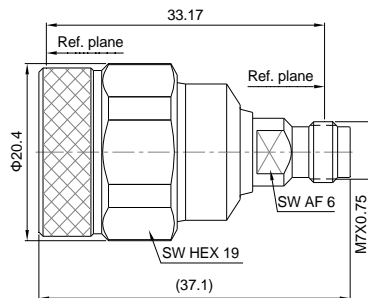


Material:
 Center Contact: Beryllium Copper / Au
 Outer Contact: Beryllium Copper / Au
 Body: Stainless steel /Passivated
 Coupling Nut: Stainless steel /Passivated
 Insulator: PEI

VSWR: ≤ 1.03 DC - 6 GHz
 ≤ 1.08 6 - 18 GHz

PN: 21_03M18F_18_01

N(Male)-2.4mm(Female)

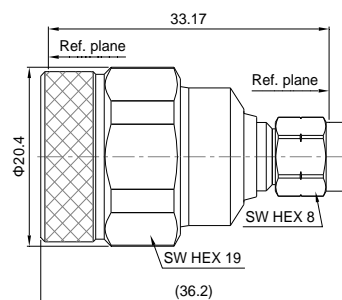


Material:
 Center Contact: Beryllium Copper / Au
 Outer Contact: Beryllium Copper / Au
 Body: Stainless steel /Passivated
 Coupling Nut: Stainless steel /Passivated
 Insulator: PEI

VSWR: ≤ 1.03 DC - 6 GHz
 ≤ 1.08 6 - 18 GHz

PN: 21_03M18M_18_01

N(Male)-2.4mm(Male)



Material:
 Center Contact: Beryllium Copper / Au
 Outer Contact: Beryllium Copper / Au
 Body: Stainless steel /Passivated
 Coupling Nut: Stainless steel /Passivated
 Insulator: PEI

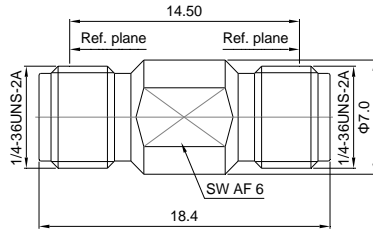
VSWR: ≤ 1.03 DC - 6 GHz
 ≤ 1.08 6 - 18 GHz



Precision Adaptors (Between Series)

PN: 21_16F17F_26.5_01

3.5mm(Female)-2.92mm(Female)



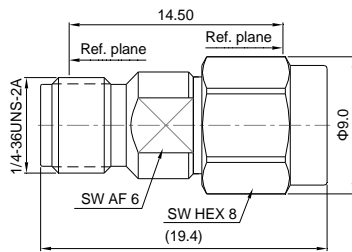
Material:

Center Contact: Beryllium Copper / Au
 Body: Stainless steel /Passivated
 Insulator: PEI

VSWR: ≤ 1.06 DC - 20 GHz
 ≤ 1.10 20 -26.5 GHz

PN: 21_16F17M_26.5_01

3.5mm(Female)-2.92mm(Male)



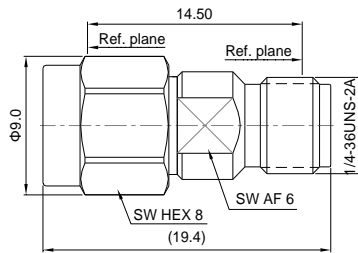
Material:

Center Contact: Beryllium Copper / Au
 Body: Stainless steel /Passivated
 Coupling Nut: Stainless steel /Passivated
 Insulator: PEI

VSWR: ≤ 1.06 DC - 20 GHz
 ≤ 1.10 20 -26.5 GHz

PN: 21_16M17F_26.5_01

3.5mm(Male)-2.92mm(Female)



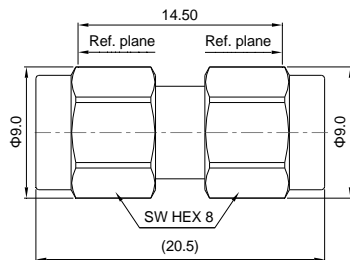
Material:

Center Contact: Beryllium Copper / Au
 Body: Stainless steel /Passivated
 Coupling Nut: Stainless steel /Passivated
 Insulator: PEI

VSWR: ≤ 1.06 DC - 20 GHz
 ≤ 1.10 20 -26.5 GHz

PN: 21_16M17M_26.5_01

3.5mm(Male)-2.92mm(Male)



Material:

Center Contact: Beryllium Copper / Au
 Body: Stainless steel /Passivated
 Coupling Nut: Stainless steel /Passivated
 Insulator: PEI

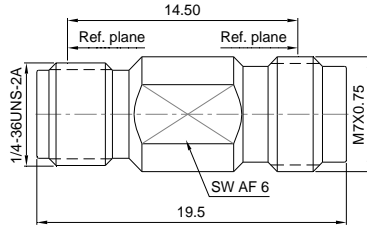
VSWR: ≤ 1.06 DC - 20 GHz
 ≤ 1.10 20 -26.5 GHz



Precision Adaptors (Between Series)

PN: 21_16F18F_26.5_01

3.5mm(Female)-2.4mm(Female)



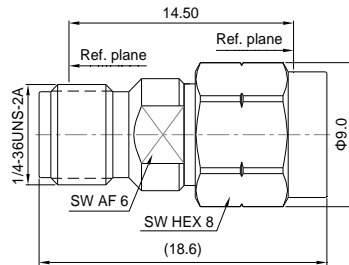
Material:

Center Contact: Beryllium Copper / Au
 Body: Stainless steel /Passivated
 Insulator: PEI

VSWR: ≤ 1.06 DC - 20 GHz
 ≤ 1.10 20 -26.5 GHz

PN: 21_16F18M_26.5_01

3.5mm(Female)-2.4mm(Male)



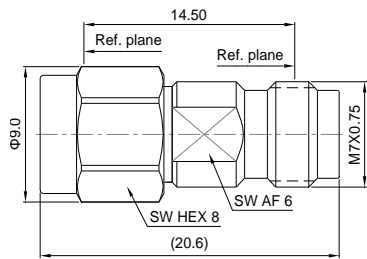
Material:

Center Contact: Beryllium Copper / Au
 Body: Stainless steel /Passivated
 Coupling Nut: Stainless steel /Passivated
 Insulator: PEI

VSWR: ≤ 1.06 DC - 20 GHz
 ≤ 1.10 20 -26.5 GHz

PN: 21_16M18F_26.5_01

3.5mm(Male)-2.4mm(Female)



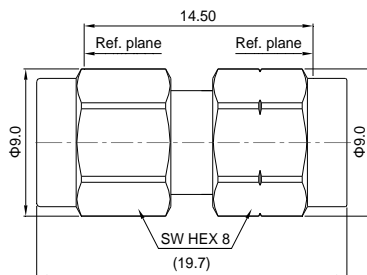
Material:

Center Contact: Beryllium Copper / Au
 Body: Stainless steel /Passivated
 Coupling Nut: Stainless steel /Passivated
 Insulator: PEI

VSWR: ≤ 1.06 DC - 20 GHz
 ≤ 1.10 20 -26.5 GHz

PN: 21_16M18M_26.5_01

3.5mm(Male)-2.4mm(Male)



Material:

Center Contact: Beryllium Copper / Au
 Body: Stainless steel /Passivated
 Coupling Nut: Stainless steel /Passivated
 Insulator: PEI

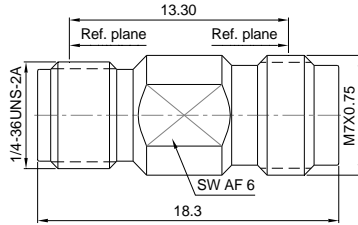
VSWR: ≤ 1.06 DC - 20 GHz
 ≤ 1.10 20 -26.5 GHz



Precision Adaptors (Between Series)

PN: 21_17F18F_40_01

2.92mm(Female)-2.4mm(Female)



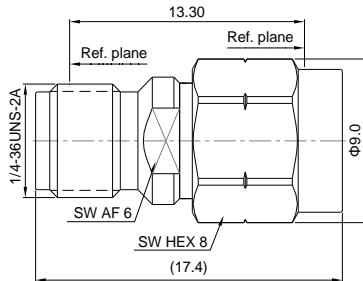
Material:

Center Contact: Beryllium Copper / Au
 Body: Stainless steel /Passivated
 Insulator: PEI

VSWR: ≤ 1.10 DC - 20 GHz
 ≤ 1.15 20 -40 GHz

PN: 21_17F18M_40_01

2.92mm(Female)-2.4mm(Male)



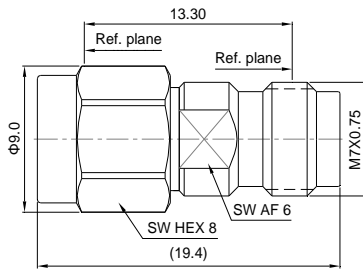
Material:

Center Contact: Beryllium Copper / Au
 Body: Stainless steel /Passivated
 Coupling Nut: Stainless steel /Passivated
 Insulator: PEI

VSWR: ≤ 1.10 DC - 20 GHz
 ≤ 1.15 20 -40 GHz

PN: 21_17M18F_40_01

2.92mm(Male)-2.4mm(Female)



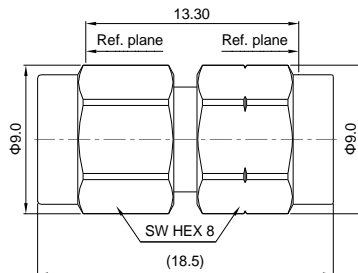
Material:

Center Contact: Beryllium Copper / Au
 Body: Stainless steel /Passivated
 Coupling Nut: Stainless steel /Passivated
 Insulator: PEI

VSWR: ≤ 1.10 DC - 20 GHz
 ≤ 1.15 20 -40 GHz

PN: 21_17M18M_40_01

2.92mm(Male)-2.4mm(Male)



Material:

Center Contact: Beryllium Copper / Au
 Body: Stainless steel /Passivated
 Coupling Nut: Stainless steel /Passivated
 Insulator: PEI

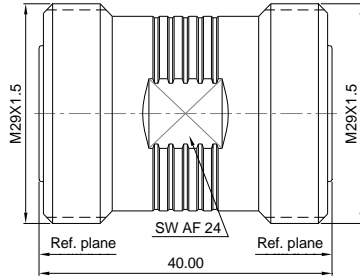
VSWR: ≤ 1.10 DC - 20 GHz
 ≤ 1.15 20 -40 GHz



PIM Adaptors

PN: 12_01F01F_03_01

7/16(Female)-7/16(Female)



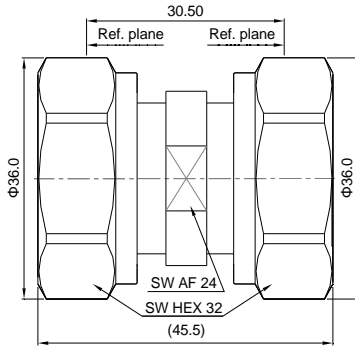
Material:

Center Contact: Beryllium Copper / Ag
Body: Phosphor bronze / Ag
Insulator: PTFE

PIM: $\leq -168\text{dBc}$ (2 x 43 dBm carrier)

PN: 12_01M01M_03_01

7/16(Male)-7/16(Male)



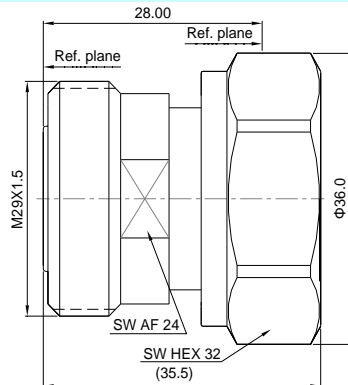
Material:

Center Contact: Beryllium Copper / Ag
Body: Phosphor bronze / Ag
Coupling Nut: Stainless steel / Passivated
Insulator: PTFE

PIM: $\leq -168\text{dBc}$ (2 x 43 dBm carrier)

PN: 12_01F01M_03_01

7/16(Female)-7/16(Male)



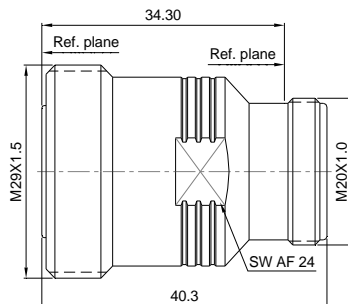
Material:

Center Contact: Beryllium Copper / Ag
Body: Phosphor bronze / Ag
Coupling Nut: Stainless steel / Passivated
Insulator: PTFE

PIM: $\leq -168\text{dBc}$ (2 x 43 dBm carrier)

PN: 12_01F02F_03_01

7/16(Female)-4.1/9.5(Female)



Material:

Center Contact: Beryllium Copper / Ag
Body: Phosphor bronze / Ag
Insulator: PTFE

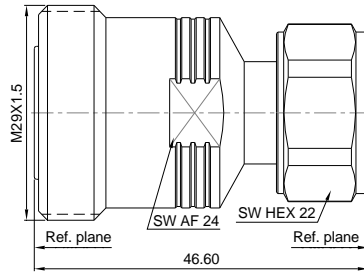
PIM: $\leq -168\text{dBc}$ (2 x 43 dBm carrier)



PIM Adaptors

PN: 12_01F02M_03_01

7/16(Female)-4.1/9.5(Male)



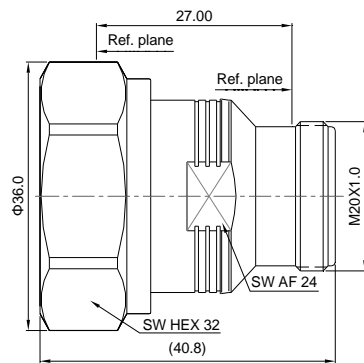
Material:

Center Contact: Beryllium Copper / Ag
 Body: Phosphor bronze / Ag
 Coupling Nut: Stainless steel /Passivated
 Insulator: PTFE

PIM: $\leq -168\text{dBc}$ (2 x 43 dBm carrier)

PN: 12_01M02F_03_01

7/16(Male)-4.1/9.5(Female)



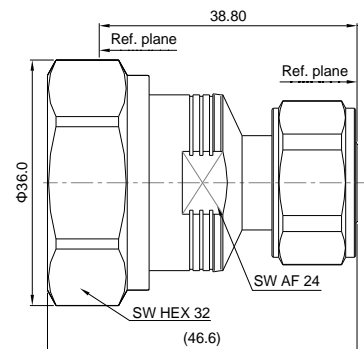
Material:

Center Contact: Beryllium Copper / Ag
 Body: Phosphor bronze / Ag
 Coupling Nut: Stainless steel /Passivated
 Insulator: PTFE

PIM: $\leq -168\text{dBc}$ (2 x 43 dBm carrier)

PN: 12_01M02M_03_01

7/16(Male)-4.1/9.5(Male)



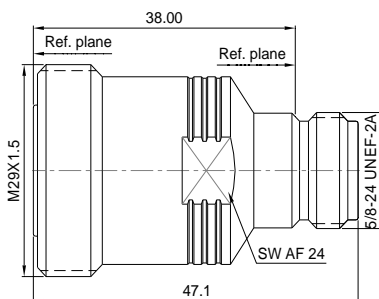
Material:

Center Contact: Beryllium Copper / Ag
 Body: Phosphor bronze / Ag
 Coupling Nut: Stainless steel /Passivated
 Insulator: PTFE

PIM: $\leq -168\text{dBc}$ (2 x 43 dBm carrier)

PN: 12_01F03F_03_01

7/16(Female)-N(Female)



Material:

Center Contact: Beryllium Copper / Ag
 Body: Phosphor bronze / Ag
 Insulator: PTFE

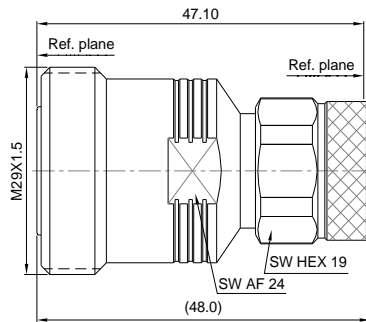
PIM: $\leq -168\text{dBc}$ (2 x 43 dBm carrier)



PIM Adaptors

PN: 12_01F03M_03_01

7/16(Female)-N(Male)



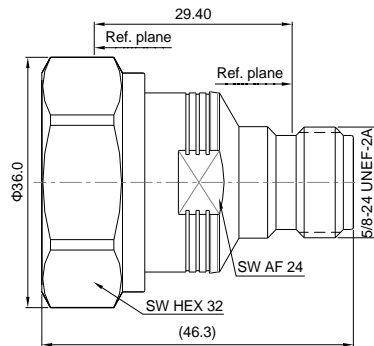
Material:

Center Contact: Beryllium Copper / Ag
Body: Phosphor bronze / Ag
Coupling Nut: Stainless steel /Passivated
Insulator: PTFE

PIM: $\leq -168\text{dBc}$ (2 x 43 dBm carrier)

PN: 12_01M03F_03_01

7/16(Male)-N(Female)



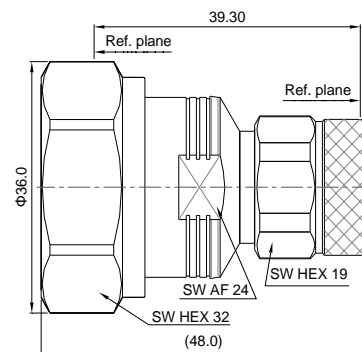
Material:

Center Contact: Beryllium Copper / Ag
Body: Phosphor bronze / Ag
Coupling Nut: Stainless steel /Passivated
Insulator: PTFE

PIM: $\leq -168\text{dBc}$ (2 x 43 dBm carrier)

PN: 12_01M03M_03_01

7/16(Male)-N(Male)



Material:

Center Contact: Beryllium Copper / Ag
Body: Phosphor bronze / Ag
Coupling Nut: Stainless steel /Passivated
Insulator: PTFE

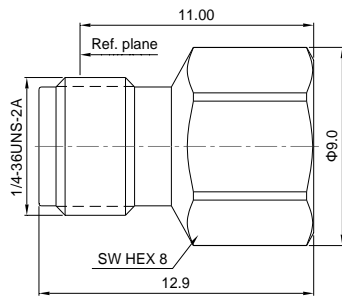
PIM: $\leq -168\text{dBc}$ (2 x 43 dBm carrier)



Terminations

PN: 41_05F_03_1_01

SMA(Female)



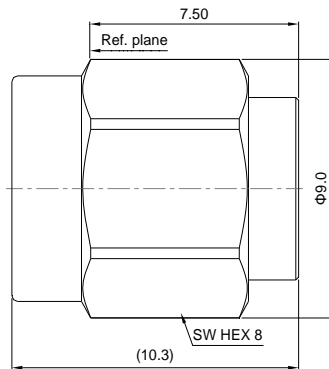
Material:
 Center Contact: Beryllium Copper / Au
 Body: Brass / Au
 Insulator: PTFE

VSWR: ≤ 1.10 DC - 3 GHz

Input Power: 1 Watts Avg.

PN: 41_05M_03_1_01

SMA(Male)



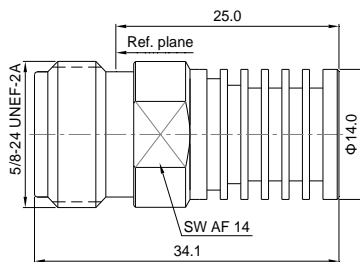
Material:
 Center Contact: Brass / Au
 Body: Brass / Au
 Coupling Nut: Brass / Au
 Insulator: PTFE

VSWR: ≤ 1.10 DC - 3 GHz

Input Power: 1 Watts Avg.

PN: 41_03F_03_5_01

N(Female)



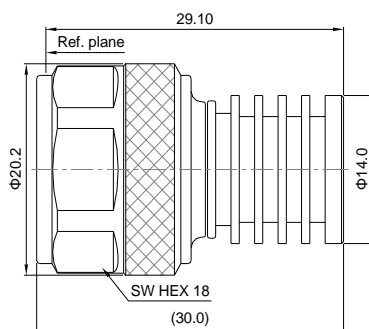
Material:
 Center Contact: Beryllium Copper / Au
 Body: Brass / CuZnSn
 Aluminum / Anodized
 Insulator: PTFE

VSWR: ≤ 1.10 DC - 3 GHz

Input Power: 5 Watts Avg.

PN: 41_03M_03_1_01

N(Male)



Material:
 Center Contact: Brass / Au
 Body: Brass / Ag
 Aluminum / Anodized
 Coupling Nut: Brass / CuZnSn
 Insulator: PTFE

VSWR: ≤ 1.10 DC - 3 GHz

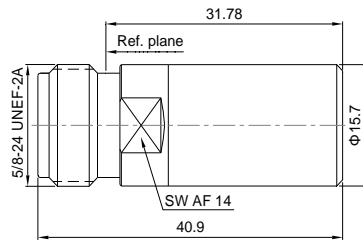
Input Power: 5 Watts Avg.



Terminations

PN: 41_03F_18_1_01

N(Female)



Material:

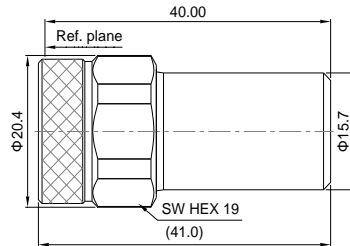
Center Contact: Beryllium Copper / Au
 Outer Contact: Beryllium Copper / Au
 Body: Stainless steel /Passivated
 Aluminum / Anodized
 Insulator: PEI

VSWR: ≤ 1.03 DC - 6 GHz
 ≤ 1.05 6 - 12 GHz
 ≤ 1.08 12 - 18 GHz

Input Power: 1 Watts Avg.

PN: 41_03M_18_1_01

N(Male)



Material:

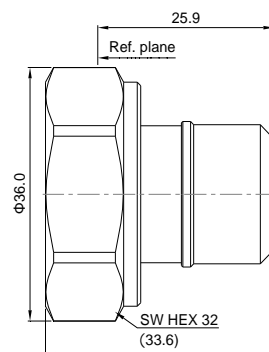
Center Contact: Beryllium Copper / Au
 Outer Contact: Beryllium Copper / Au
 Body: Brass / CuZnSn
 Aluminum / Anodized
 Coupling Nut: Stainless steel /Passivated
 Insulator: PEI

VSWR: ≤ 1.03 DC - 6 GHz
 ≤ 1.05 6 - 12 GHz
 ≤ 1.08 12 - 18 GHz

Input Power: 1 Watts Avg.

PN: 41_01M_03_1_01

7/16(Male)



Material:

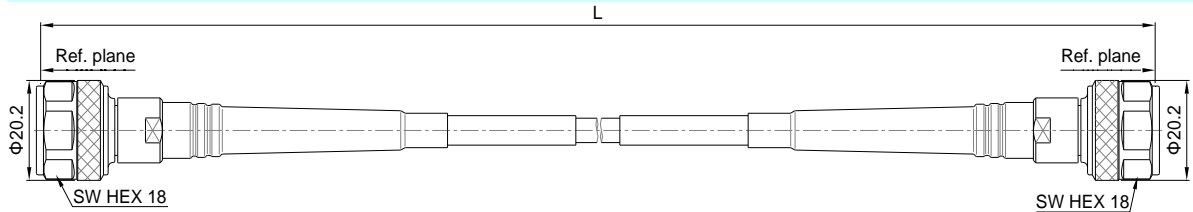
Center Contact: Brass / Au
 Outer Contact: Brass / CuZnSn
 Body: Brass / CuZnSn
 Coupling Nut: Brass / CuZnSn
 Insulator: PTFE

VSWR: ≤ 1.10 DC - 3 GHz

Input Power: 1 Watts Avg.

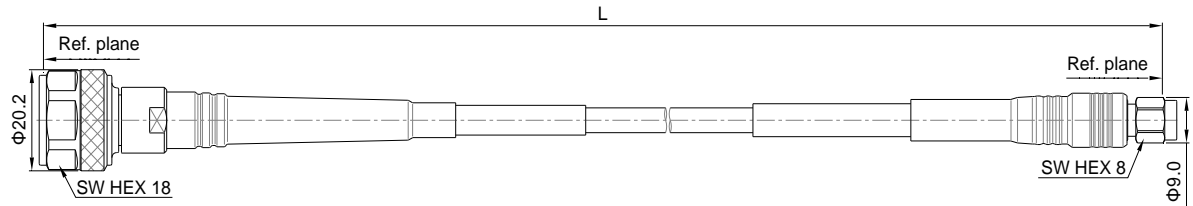
PN: 31_03M03M_03_L_01

N(Male)-N(Male)



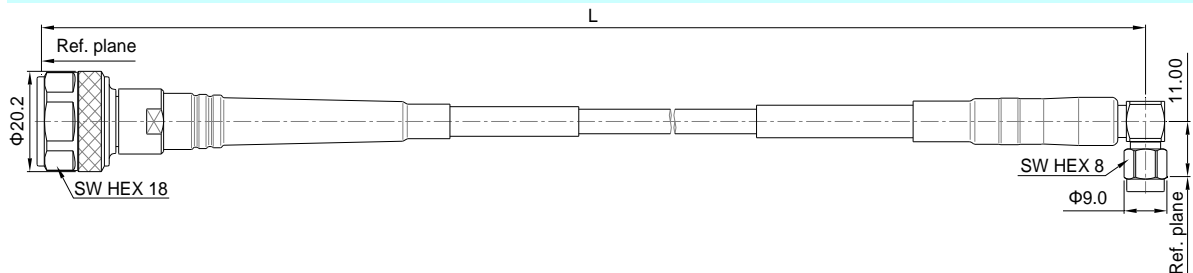
PN: 31_03M05M_03_L_01

N(Male)-SMA(Male)



PN: 31_03M20M_03_L_01

N(Male)-SMA(Male,Right angle)



Electrical Data

Impedance	50 Ω			
Operating frequency	DC - 3GHz			
Insulation resistance	≥5000 MΩ			
Dielectric withstand voltage AC r.m.s	≤1500 V			
Capacitance	94 pF/m			
Velocity of propagation	70%			
Shielding effectiveness	> -80 dB/m			
VSWR	DC - 2GHz		2GHz- 3GHz	
	≤1.08		≤1.10	
Insertion loss (dB) 25°C L=1000mm	DC-0.9GHz	0.9-1.8GHz	1.8-2.5GHz	2.5-3.0GHz
	< 0.46	< 0.65	< 0.82	< 0.86
Insertion loss vs.shaking (dB) L=1000mm	< 0.03			
Insertion loss vs.bending (dB) L=1000mm	< 0.03			

Mechanical Data

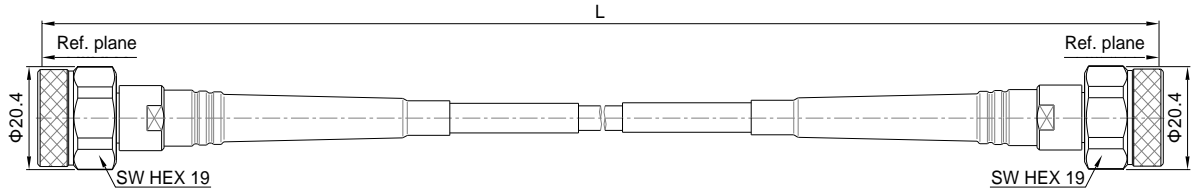
Minimum bend radius ,Multiple bends	50 mm
Cable Outer Diameter	4.80mm
Recommended mating torque	0.7~1.1 Nm

Material Data

Center Contact	Beryllium Copper / Au	
	N	SMA
Outer Contact	Brass / CuZnSn	Stainless steel /Passivated
Body		
Coupling Nut		
Insulator	TPX	PTFE

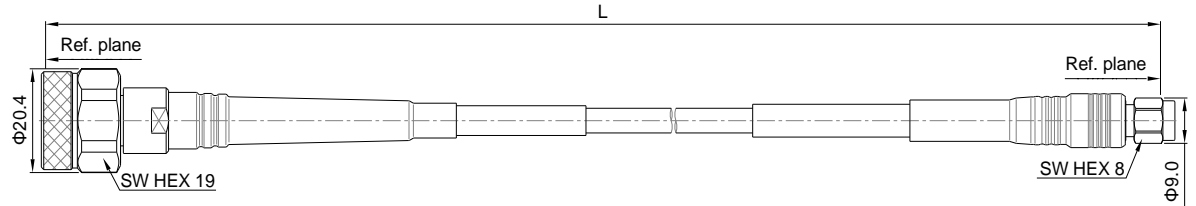
PN: 31_03M03M_06_L_01

N(Male)-N(Male)



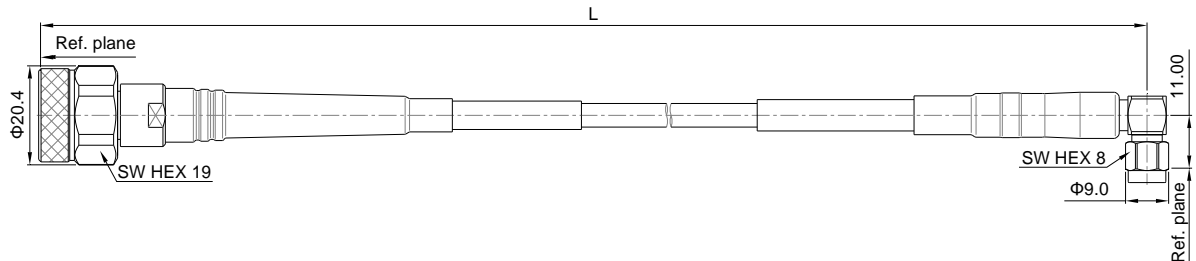
PN: 31_03M05M_06_L_01

N(Male)-SMA(Male)



PN: 31_03M20M_06_L_01

N(Male)-SMA(Male,Right angle)



Electrical Data

Impedance	50 Ω			
Operating frequency	DC - 6GHz			
Insulation resistance	≥5000 MΩ			
Dielectric withstand voltage AC r.m.s	≤1500 V			
Capacitance	96.4 pF/m			
Velocity of propagation	70%			
Shielding effectiveness	> -90 dB/m			
VSWR	DC - 3GHz		3GHz- 6GHz	
	≤1.08		≤1.10	
Insertion loss (dB) 25°C L=1000mm	DC-1.0GHz	1.0-2.4GHz	2.4-3.0GHz	3.0-6.0GHz
	< 0.50	< 0.82	< 0.93	< 1.40
Insertion loss vs.shaking (dB) L=1000mm	< 0.03			
Insertion loss vs.bending (dB) L=1000mm	< 0.03		< 0.05	

Mechanical Data

Minimum bend radius ,Multiple bends	50 mm
Cable Outer Diameter	4.80mm
Recommended mating torque	0.7~1.1 Nm

Material Data

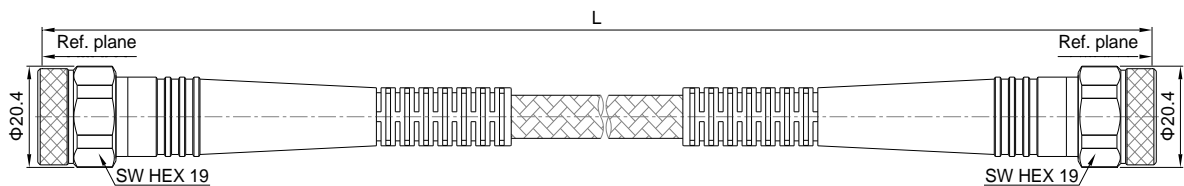
Center Contact	Beryllium Copper / Au	
Outer Contact	Stainless steel /Passivated	
Body		
Coupling Nut		
Insulator	N	SMA
	TPX	PTFE



Test Cable(18GHz)

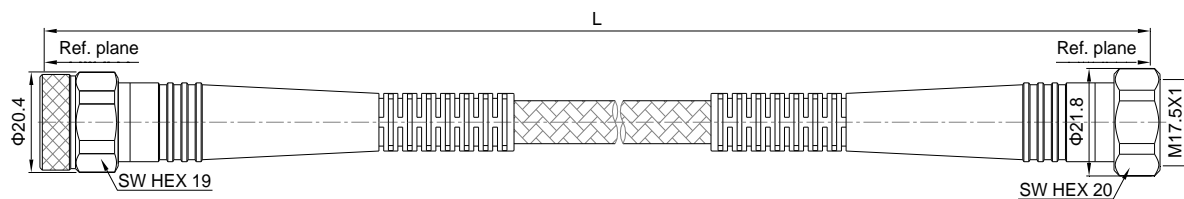
PN: 31_03M03M_18_L_01

N(Male)-N(Male)



PN: 31_03M21F_18_L_01

N(Male)-NMD 3.5mm(Female)



Electrical Data

Impedance	50 Ω			
Operating frequency	DC - 18GHz			
Insulation resistance	≥5000 MΩ			
Dielectric withstand voltage AC r.m.s	≤1500 V			
Capacitance	82 pF/m			
Velocity of propagation	80%			
Shielding effectiveness	> -90 dB/m			
	DC-3.0GHz	3.0-5.0GHz	5.0-10GHz	10-18GHz
VSWR	≤1.08	≤1.10	≤1.15	≤1.20
Insertion loss (dB) 25°C L=800mm	< 0.60	< 0.75	< 0.93	< 1.45
Insertion loss vs.shaking (dB) L=800mm	< 0.03	< 0.03	< 0.03	< 0.03
Insertion loss vs.bending (dB) L=800mm	< 0.03	< 0.04	< 0.05	< 0.05
Phase stability vs. bending (degree) L=800mm	+/-2.0	+/-4.0	+/-6.0	+/-6.0

Mechanical Data

Minimum bend radius ,Multiple bends	100 mm
Armor Outer Diameter	8.90mm
Recommended mating torque	0.7~1.1 Nm

Material Data

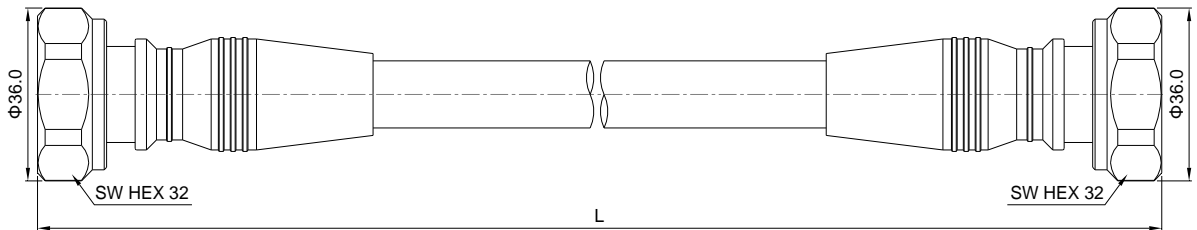
Center Contact	Beryllium Copper / Au
Outer Contact	N - Beryllium Copper / Au
	NMD3.5mm - Stainless steel /Passivated
Body	Stainless steel /Passivated
Coupling Nut	
Insulator	



PIM Test Cable(1/2"S)

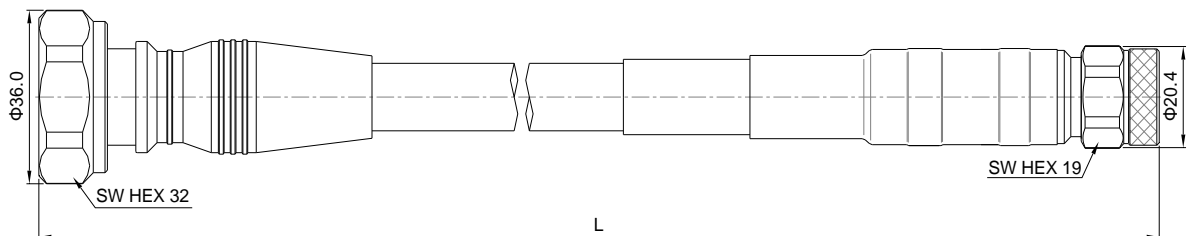
PN: 32_01M01M_03_L_01

7/16(Male)-7/16(Male)



PN: 32_01M03M_03_L_01

7/16(Male)-N(Male)



Electrical Data

Impedance	50 Ω
Operating frequency	DC - 3GHz
Max. power	≤ 479 W (3.0 GHz 40°C)
Insulation resistance	≥ 10000 MΩ
Dielectric withstand voltage AC r.m.s	≤ 2500V (7/16)
	≤ 2000V (N)
PIM	≤ -168dBc(2×43dBm carriers)
VSWR	≤ 1.10 (DC to 3GHz)

Mechanical Data

Mating cycles	≥ 500
Minimum bend radius ,Multiple bends	100 mm
Number bends,Minimum	20
Recommended mating torque	25 ~ 30Nm (7/16)
	0.7~1.1 Nm (N)
Cable Outer Diameter	13.40mm

Material Data

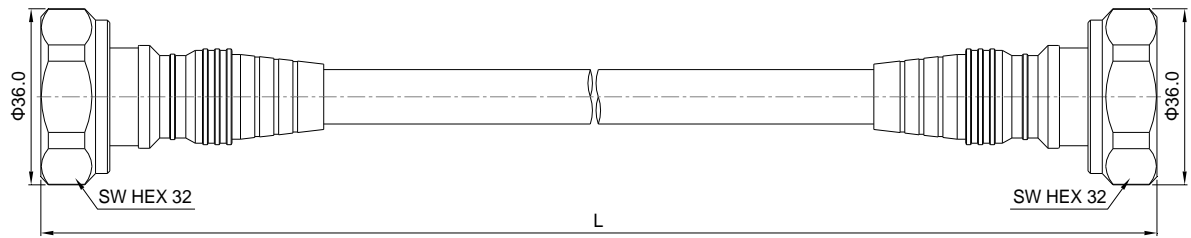
Center Contact	Beryllium Copper / Ag
Body	Brass / Ag
Coupling Nut	Brass / CuZnSn (7/16)
	Stainless steel /Passivated (N)
Insulator	PTFE



PIM Test Cable(3/8"S)

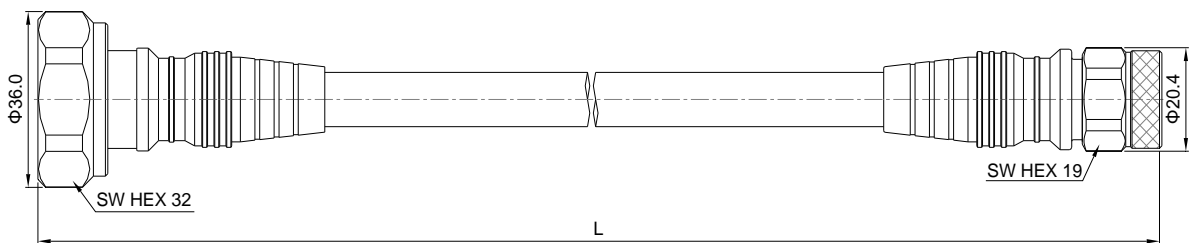
PN: 32_01M01M_03_L_02

7/16(Male)-7/16(Male)



PN: 32_01M03M_03_L_02

7/16(Male)-N(Male)



Electrical Data

Impedance	50 Ω
Operating frequency	DC - 3GHz
Max. power	≤ 312 W (3.0 GHz 40°C)
Insulation resistance	≥ 10000 MΩ
Dielectric withstand voltage AC r.m.s	≤ 2500V (7/16)
	≤ 2000V (N)
PIM	≤ -168dBc (2×43dBm carriers)
VSWR	≤ 1.10 (DC to 3GHz)

Mechanical Data

Mating cycles	≥ 500
Minimum bend radius ,Multiple bends	80 mm
Number bends,Minimum	20
Recommended mating torque	25 ~ 30Nm (7/16)
	0.7~1.1 Nm (N)
Cable Outer Diameter	10.80mm

Material Data

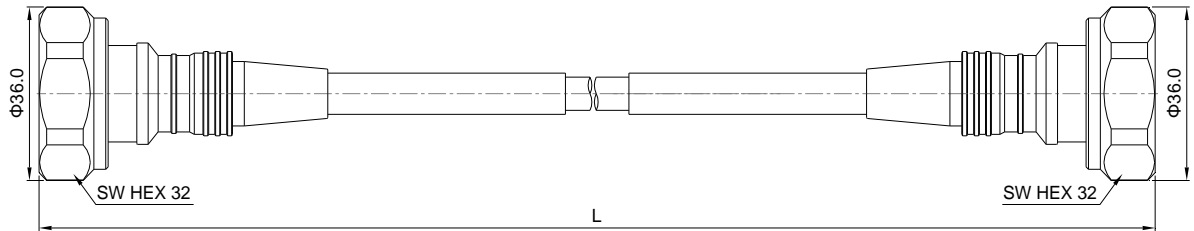
Center Contact	Beryllium Copper / Ag
Body	Brass / Ag
Coupling Nut	Brass / CuZnSn (7/16)
	Stainless steel /Passivated (N)
Insulator	PTFE



PIM Test Cable(Flexiform 401)

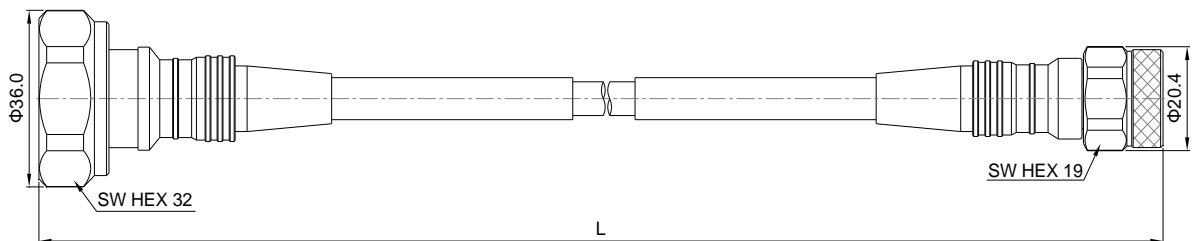
PN: 32_01M01M_03_L_03

7/16(Male)-7/16(Male)



PN: 32_01M03M_03_L_03

7/16(Male)-N(Male)



Electrical Data

Impedance	50 Ω
Operating frequency	DC - 3GHz
Max. power	≤ 587 W (3.0 GHz 40°C)
Insulation resistance	≥ 10000 MΩ
Dielectric withstand voltage AC r.m.s	≤ 2500V (7/16)
	≤ 2000V (N)
PIM	≤ -168dBc (2×43dBm carriers)
VSWR	≤ 1.10 (DC to 3GHz)

Mechanical Data

Mating cycles	≥ 500
Minimum bend radius ,Multiple bends	120 mm
Number bends,Minimum	20
Recommended mating torque	25 ~ 30Nm (7/16)
	0.7~1.1 Nm (N)
Cable Outer Diameter	6.90mm

Material Data

Center Contact	Beryllium Copper / Ag
Body	Brass / Ag
Coupling Nut	Brass / CuZnSn (7/16)
	Stainless steel /Passivated (N)
Insulator	PTFE