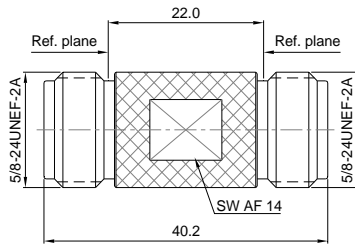


PN: 11\_03F03F\_06\_01

N(Female)-N(Female)



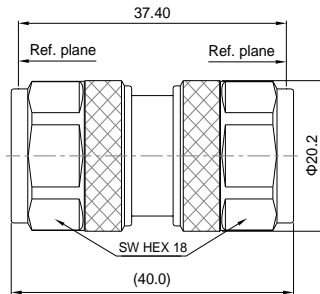
Material:

Center Contact: Beryllium Copper / Au  
 Outer Contact: Brass / CuZnSn  
 Body: Brass / CuZnSn  
 Insulator: PTFE

VSWR:  $\leq 1.08$  DC - 3 GHz  
 $\leq 1.13$  3 - 6 GHz

PN: 11\_03M03M\_06\_01

N(Male)-N(Male)



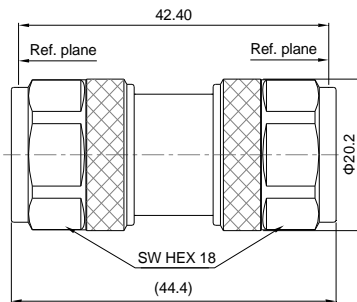
Material:

Center Contact: Brass / Au  
 Outer Contact: Brass / CuZnSn  
 Body: Brass / CuZnSn  
 Coupling Nut: Brass / CuZnSn  
 Insulator: PTFE

VSWR:  $\leq 1.08$  DC - 3 GHz  
 $\leq 1.13$  3 - 6 GHz

PN: 11\_03M03M\_06\_02

N(Male)-N(Male)



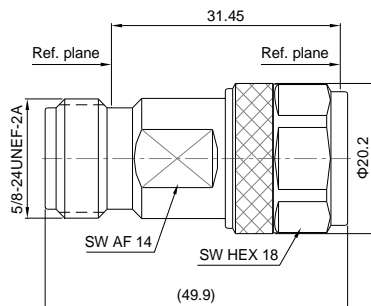
Material:

Center Contact: Brass / Au  
 Outer Contact: Brass / CuZnSn  
 Body: Brass / CuZnSn  
 Coupling Nut: Brass / CuZnSn  
 Insulator: PTFE

VSWR:  $\leq 1.08$  DC - 3 GHz  
 $\leq 1.13$  3 - 6 GHz

PN: 11\_03F03M\_06\_01

N(Female)-N(Male)



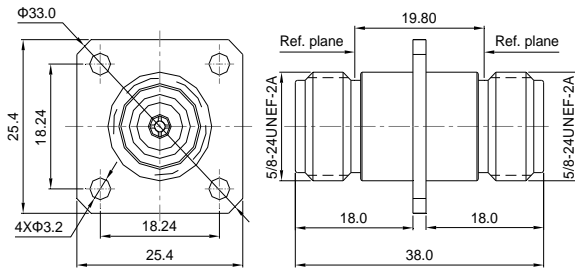
Material:

Center Contact: Beryllium Copper / Au  
 Outer Contact: Brass / CuZnSn  
 Body: Brass / CuZnSn  
 Coupling Nut: Brass / CuZnSn  
 Insulator: PTFE

VSWR:  $\leq 1.08$  DC - 3 GHz  
 $\leq 1.13$  3 - 6 GHz

## Adaptors (Within Series)

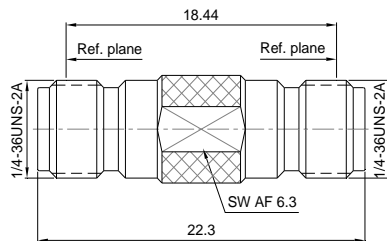
### N(Female)-N(Female)



Material:  
 Center Contact: Beryllium Copper / Au  
 Outer Contact: Brass / CuZnSn  
 Body: Brass / CuZnSn  
 Insulator: PTFE

VSWR:  $\leq 1.08$  DC - 3 GHz  
 $\leq 1.13$  3 - 6 GHz

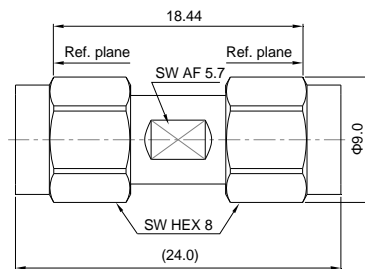
### SMA(Female)-SMA(Female)



Material:  
 Center Contact: Beryllium Copper / Au  
 Body: Brass / Au  
 Insulator: PTFE

VSWR:  $\leq 1.05$  DC - 6 GHz  
 $\leq 1.10$  6 - 18 GHz

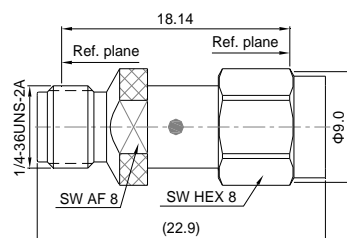
### SMA(Male)-SMA(Male)



Material:  
 Center Contact: Brass / Au  
 Body: Brass / Au  
 Coupling Nut: Brass / Au  
 Insulator: PTFE

VSWR:  $\leq 1.05$  DC - 6 GHz  
 $\leq 1.10$  6 - 18 GHz

### SMA(Female)-SMA(Male)



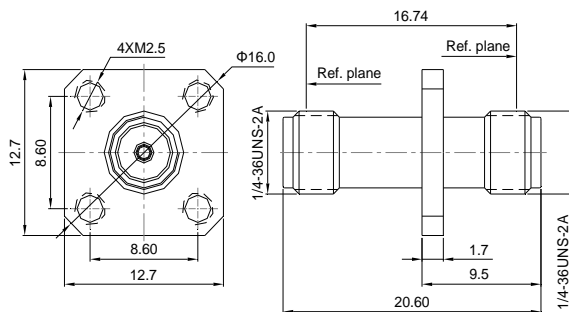
Material:  
 Center Contact: Beryllium Copper / Au  
 Body: Brass / Au  
 Coupling Nut: Brass / Au  
 Insulator: PTFE

VSWR:  $\leq 1.05$  DC - 6 GHz  
 $\leq 1.10$  6 - 18 GHz



## Adaptors(Within Series)

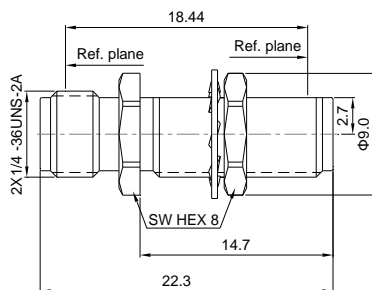
### SMA(Female)-SMA(Female)



Material:  
 Center Contact: Beryllium Copper / Au  
 Body: Stainless steel / Passivated  
 Insulator: PTFE

VSWR:  $\leq 1.05$  DC - 6 GHz  
 $\leq 1.10$  6 - 18 GHz

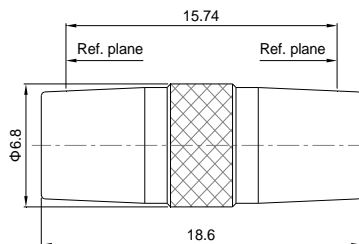
### SMA(Female)-SMA(Female)



Material:  
 Center Contact: Beryllium Copper / Au  
 Body: Brass / Au  
 Nut: Brass / Au  
 Lock Washer: Phosphor bronze / Au  
 Insulator: PTFE

VSWR:  $\leq 1.05$  DC - 6 GHz  
 $\leq 1.10$  6 - 18 GHz

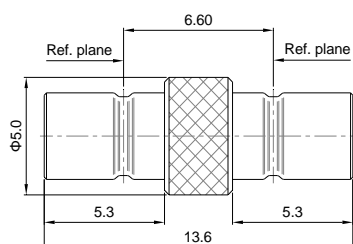
### SMB(Female)-SMB(Female)



Material:  
 Center Contact: Beryllium Copper / Au  
 Outer Contact: Beryllium Copper / Au  
 Body: Brass / Au  
 Insulator: PTFE

VSWR:  $\leq 1.15$  DC - 3 GHz

### SMB(Male)-SMB(Male)

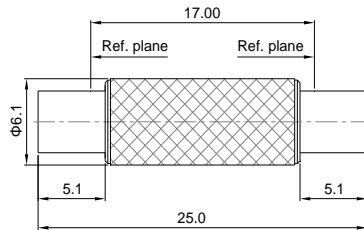


Material:  
 Center Contact: Brass / Au  
 Body: Brass / Au  
 Insulator: PTFE

VSWR:  $\leq 1.15$  DC - 3 GHz

## Adaptors (Within Series)

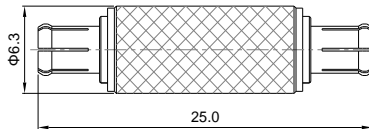
### MCX(Female)-MCX(Female)



Material:  
 Center Contact: Beryllium Copper / Au  
 Body: Brass / Au  
 Insulator: PTFE

VSWR:  $\leq 1.10$  DC - 3 GHz

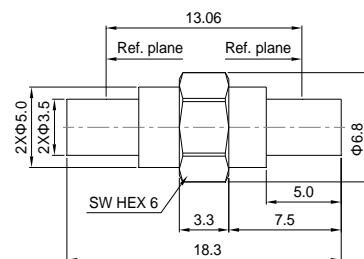
### MCX(Male)-MCX(Male)



Material:  
 Center Contact: Brass / Au  
 Outer Contact: Beryllium Copper / Au  
 Body: Brass / Au  
 Insulator: PTFE

VSWR:  $\leq 1.10$  DC - 3 GHz

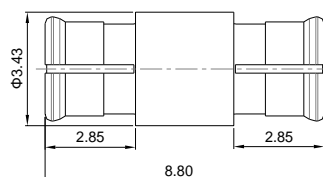
### MMCX(Female)-MMCX(Female)



Material:  
 Center Contact: Beryllium Copper / Au  
 Body: Brass / Au  
 Insulator: PTFE

VSWR:  $\leq 1.10$  DC - 3 GHz

### SMP(Female)-SMP(Female)

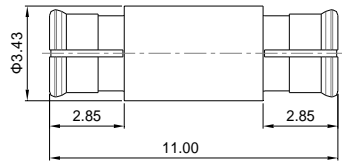


Material:  
 Center Contact: Beryllium Copper / Au  
 Body: Beryllium Copper / Au  
 Insulator: PTFE

VSWR:  $\leq 1.10$  DC - 3 GHz  
 $\leq 1.15$  3 - 6 GHz

## Adaptors (Within Series)

### SMP(Female)-SMP(Female)



Material:

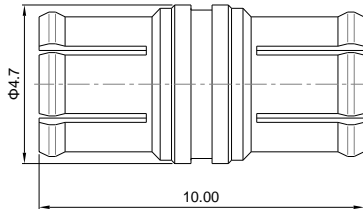
Center Contact: Beryllium Copper / Au

Body: Beryllium Copper / Au

Insulator: PTFE

VSWR:  $\leq 1.10$  DC - 3 GHz  
 $\leq 1.15$  3 - 6 GHz

### P\_SMP(Female)-P\_SMP(Female)



Material:

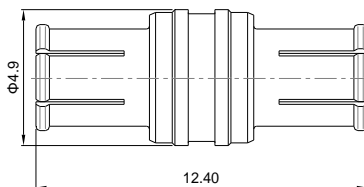
Center Contact: Beryllium Copper / Au

Body: Beryllium Copper / Au

Insulator: PTFE

VSWR:  $\leq 1.08$  DC - 3 GHz  
 $\leq 1.10$  3 - 6 GHz

### SMP\_MAX(Female)-SMP\_MAX(Female)



Material:

Center Contact: Beryllium Copper / Au

Outer Contact: Beryllium Copper / Au

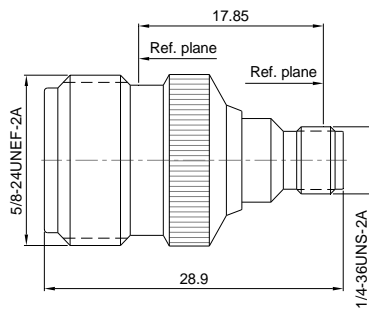
Body: Brass / Au

Insulator: PTFE

VSWR:  $\leq 1.10$  DC - 3 GHz

## Adaptors (Between Series)

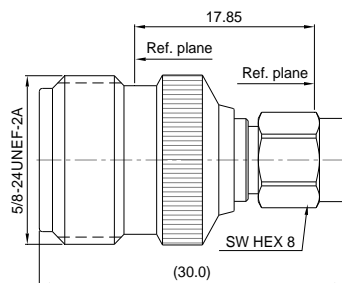
### N(Female)-SMA(Female)



Material:  
 Center Contact: Beryllium Copper / Au  
 Outer Contact: Beryllium Copper / Au  
 Body: Brass / CuZnSn  
 Insulator: PTFE

VSWR:  $\leq 1.05$  DC - 3 GHz  
 $\leq 1.10$  3 - 12 GHz  
 $\leq 1.20$  12 - 18 GHz

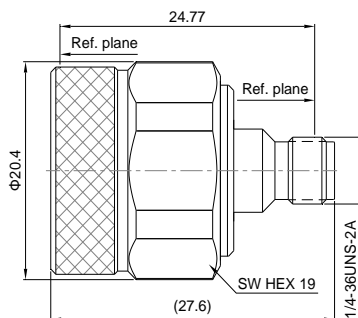
### N(Female)-SMA(Male)



Material:  
 Center Contact: Beryllium Copper / Au  
 Outer Contact: Beryllium Copper / Au  
 Body: Brass / CuZnSn  
 Coupling Nut: Stainless steel / Passivated  
 Insulator: PTFE

VSWR:  $\leq 1.05$  DC - 3 GHz  
 $\leq 1.10$  3 - 12 GHz  
 $\leq 1.20$  12 - 18 GHz

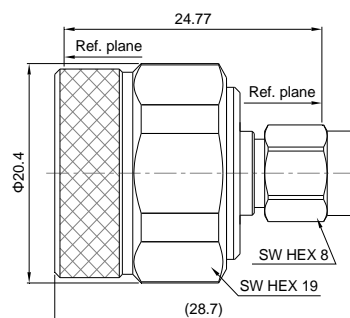
### N(Male)-SMA(Female)



Material:  
 Center Contact: Beryllium Copper / Au  
 Outer Contact: Beryllium Copper / Au  
 Body: Brass / CuZnSn  
 Coupling Nut: Stainless steel / Passivated  
 Insulator: PTFE

VSWR:  $\leq 1.05$  DC - 3 GHz  
 $\leq 1.10$  3 - 12 GHz  
 $\leq 1.20$  12 - 18 GHz

### N(Male)-SMA(Male)

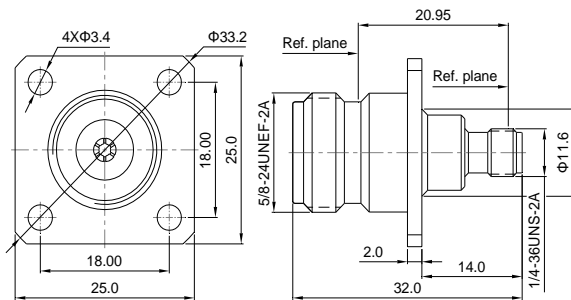


Material:  
 Center Contact: Beryllium Copper / Au  
 Outer Contact: Beryllium Copper / Au  
 Body: Brass / CuZnSn  
 Coupling Nut: Stainless steel / Passivated  
 Insulator: PTFE

VSWR:  $\leq 1.05$  DC - 3 GHz  
 $\leq 1.10$  3 - 12 GHz  
 $\leq 1.20$  12 - 18 GHz

## Adaptors (Between Series)

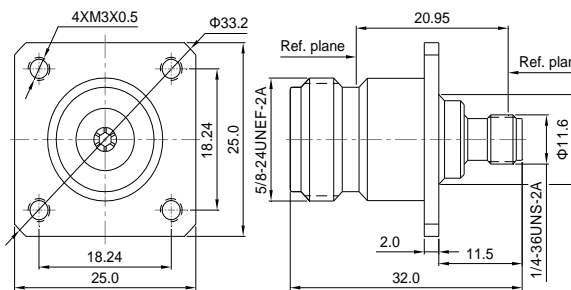
### N(Female)-SMA(Female)



Material:  
 Center Contact: Beryllium Copper / Au  
 Body: Brass / CuZnSn  
 Insulator: PTFE

VSWR:  $\leq 1.05$  DC - 3 GHz  
 $\leq 1.10$  3 - 12 GHz  
 $\leq 1.20$  12 - 18 GHz

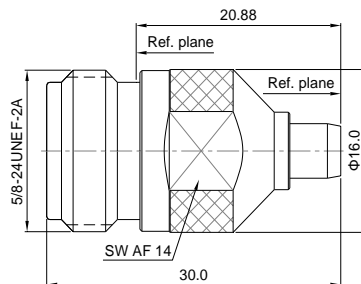
### N(Female)-SMA(Female)



Material:  
 Center Contact: Beryllium Copper / Au  
 Body: Stainless steel / Passivated  
 Insulator: PTFE

VSWR:  $\leq 1.05$  DC - 3 GHz  
 $\leq 1.10$  3 - 12 GHz  
 $\leq 1.20$  12 - 18 GHz

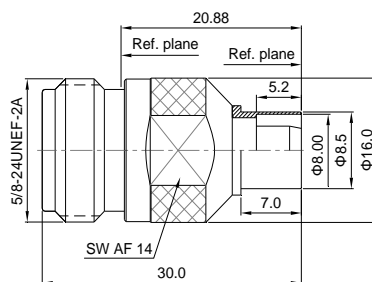
### N(Female)-BMA(Male)



Material:  
 Center Contact: Beryllium Copper / Au  
 Body: Brass / CuZnSn  
 Insulator: PTFE

VSWR:  $\leq 1.06$  DC - 3 GHz  
 $\leq 1.10$  3 - 6 GHz

### N(Female)-BMA(Male)



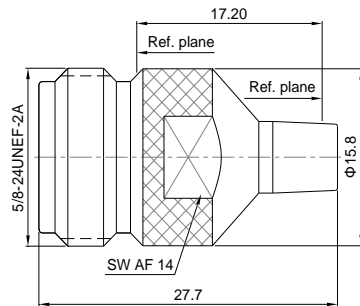
Material:  
 Center Contact: Beryllium Copper / Au  
 Body: Brass / CuZnSn  
 Insulator: PTFE

VSWR:  $\leq 1.06$  DC - 3 GHz  
 $\leq 1.10$  3 - 6 GHz



## Adaptors (Between Series)

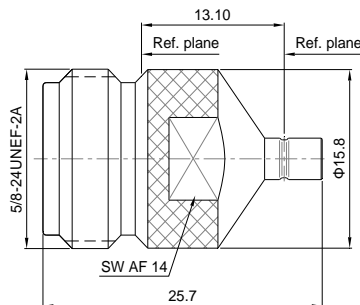
### N(Female)-SMB(Female)



Material:  
 Center Contact: Beryllium Copper / Au  
 Outer Contact: Beryllium Copper / Au  
 Body: Brass / CuZnSn  
 Insulator: PTFE

VSWR:  $\leq 1.10$  DC - 3 GHz

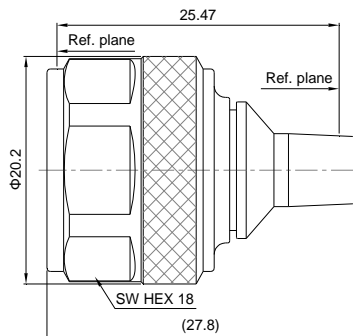
### N(Female)-SMB(Male)



Material:  
 Center Contact: Beryllium Copper / Au  
 Body: Brass / CuZnSn  
 Insulator: PTFE

VSWR:  $\leq 1.10$  DC - 3 GHz

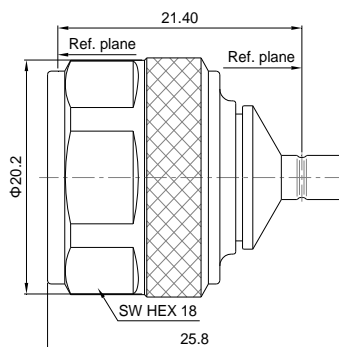
### N(Male)-SMB(Female)



Material:  
 Center Contact: Beryllium Copper / Au  
 Outer Contact: Beryllium Copper / Au  
 Body: Brass / CuZnSn  
 Coupling Nut: Brass / CuZnSn  
 Insulator: PTFE

VSWR:  $\leq 1.10$  DC - 3 GHz

### N(Male)-SMB(Male)

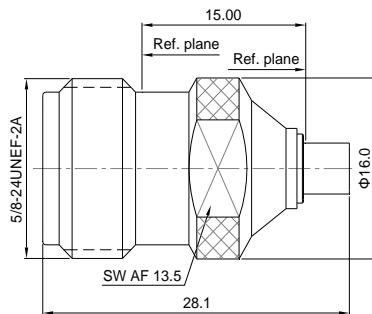


Material:  
 Center Contact: Brass / Au  
 Body: Brass / CuZnSn  
 Coupling Nut: Brass / CuZnSn  
 Insulator: PTFE

VSWR:  $\leq 1.10$  DC - 3 GHz

## Adaptors (Between Series)

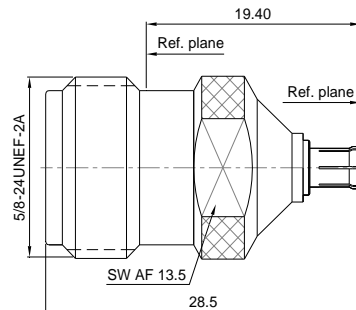
### N(Female)-MCX(Female)



Material:  
 Center Contact: Beryllium Copper / Au  
 Outer Contact: Brass / Au  
 Body: Brass / CuZnSn  
 Insulator: PTFE

VSWR:  $\leq 1.10$  DC - 3 GHz

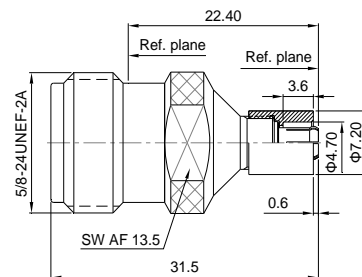
### N(Female)-MCX(Male)



Material:  
 Center Contact: Beryllium Copper / Au  
 Outer Contact: Beryllium Copper / Au  
 Body: Brass / CuZnSn  
 Insulator: PTFE

VSWR:  $\leq 1.10$  DC - 3 GHz

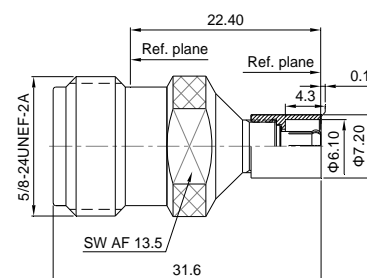
### N(Female)-MCX(Male)



Material:  
 Center Contact: Beryllium Copper / Au  
 Outer Contact: Beryllium Copper / Au  
 Body: Brass / CuZnSn  
 Insulator: PTFE

VSWR:  $\leq 1.10$  DC - 3 GHz

### N(Female)-MCX(Male)

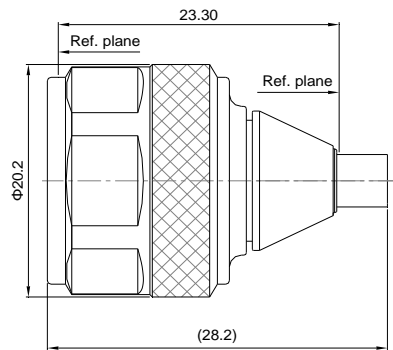


Material:  
 Center Contact: Beryllium Copper / Au  
 Outer Contact: Beryllium Copper / Au  
 Body: Brass / CuZnSn  
 Insulator: PTFE

VSWR:  $\leq 1.10$  DC - 3 GHz

## Adaptors (Between Series)

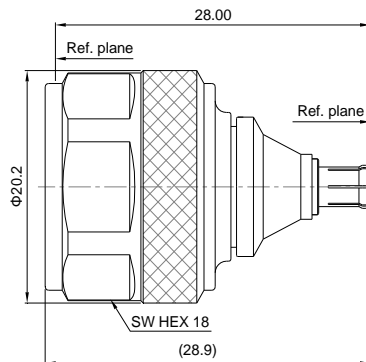
### N(Male)-MCX(Female)



Material:  
 Center Contact: Beryllium Copper / Au  
 Outer Contact: Brass / Au  
 Body: Brass / CuZnSn  
 Coupling Nut: Brass / CuZnSn  
 Insulator: PTFE

VSWR:  $\leq 1.10$  DC - 3 GHz

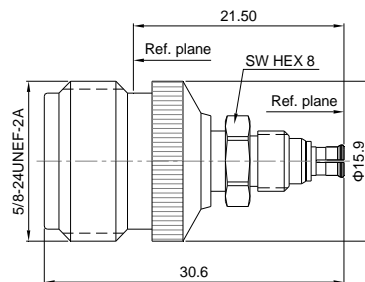
### N(Male)-MCX(Male)



Material:  
 Center Contact: Brass / Au  
 Outer Contact: Beryllium Copper / Au  
 Body: Brass / CuZnSn  
 Coupling Nut: Brass / CuZnSn  
 Insulator: PTFE

VSWR:  $\leq 1.10$  DC - 3 GHz

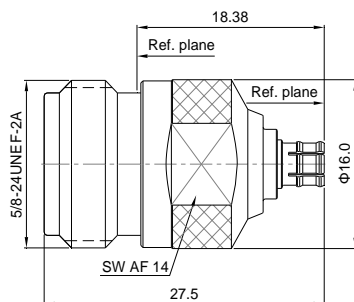
### N(Female)-L\_SMP(Female)



Material:  
 Center Contact: Beryllium Copper / Au  
 Outer Contact: Beryllium Copper / Au  
 Body: Brass / CuZnSn  
 Insulator: PTFE

VSWR:  $\leq 1.10$  DC - 3 GHz

### N(Female)-P\_SMP(Female)

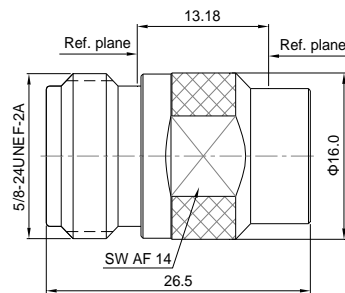


Material:  
 Center Contact: Beryllium Copper / Au  
 Outer Contact: Beryllium Copper / Au  
 Body: Brass / CuZnSn  
 Insulator: PTFE

VSWR:  $\leq 1.05$  DC - 3 GHz  
 $\leq 1.10$  3 - 6 GHz

## Adaptors (Between Series)

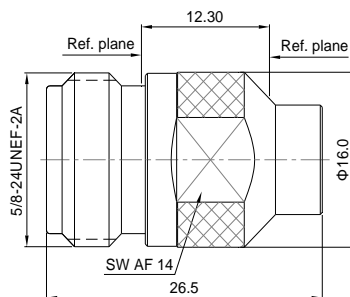
### N(Female)-P\_SMP(Male)



Material:  
 Center Contact: Beryllium Copper / Au  
 Body: Brass / CuZnSn  
 Insulator: PTFE

VSWR:  $\leq 1.05$  DC - 3 GHz  
 $\leq 1.10$  3 - 6 GHz

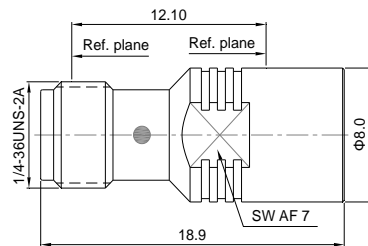
### N(Female)-SMP\_MAX(Male)



Material:  
 Center Contact: Beryllium Copper / Au  
 Body: Brass / CuZnSn  
 Insulator: PTFE

VSWR:  $\leq 1.10$  DC - 3 GHz

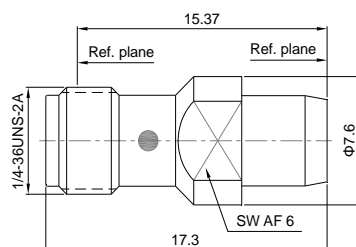
### SMA(Female)-BMA(Female)



Material:  
 Center Contact: Beryllium Copper / Au  
 Outer Contact: Beryllium Copper / Au  
 Body: Brass / Au  
 Insulator: PTFE

VSWR:  $\leq 1.07$  DC - 3 GHz  
 $\leq 1.10$  3 - 6 GHz

### SMA(Female)-BMA(Male)

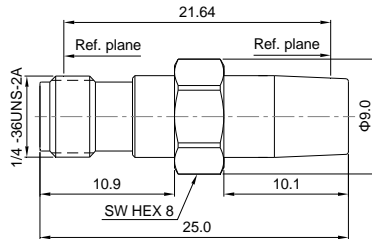


Material:  
 Center Contact: Beryllium Copper / Au  
 Body: Brass / Au  
 Insulator: PTFE

VSWR:  $\leq 1.07$  DC - 3 GHz  
 $\leq 1.10$  3 - 6 GHz

## Adaptors (Between Series)

### SMA(Female)-SMB(Female)

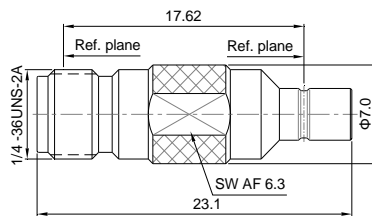


Material:

Center Contact: Beryllium Copper / Au  
 Outer Contact: Beryllium Copper / Au  
 Body: Brass / Au  
 Insulator: PTFE

VSWR:  $\leq 1.10$  DC - 3 GHz

### SMA(Female)-SMB(Male)

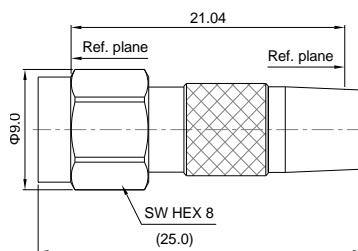


Material:

Center Contact: Beryllium Copper / Au  
 Body: Brass / Au  
 Insulator: PTFE

VSWR:  $\leq 1.10$  DC - 3 GHz

### SMA(Male)-SMB(Female)

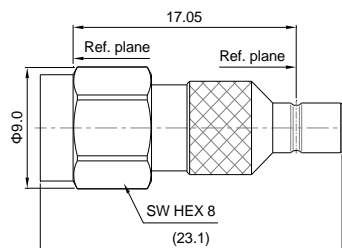


Material:

Center Contact: Beryllium Copper / Au  
 Outer Contact: Beryllium Copper / Au  
 Body: Brass / Au  
 Coupling Nut: Brass / Au  
 Insulator: PTFE

VSWR:  $\leq 1.10$  DC - 3 GHz

### SMA(Male)-SMB(Male)



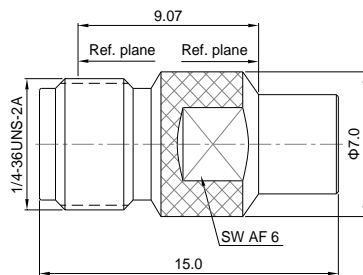
Material:

Center Contact: Brass / Au  
 Body: Brass / Au  
 Coupling Nut: Brass / Au  
 Insulator: PTFE

VSWR:  $\leq 1.10$  DC - 3 GHz

## Adaptors (Between Series)

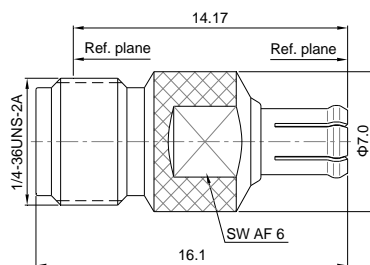
### SMA(Female)-MCX(Female)



Material:  
 Center Contact: Beryllium Copper / Au  
 Body: Brass / Au  
 Insulator: PTFE

VSWR:  $\leq 1.10$  DC - 3 GHz

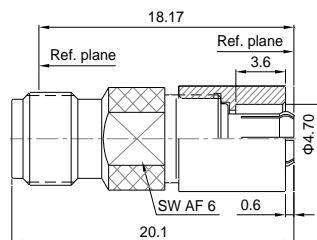
### SMA(Female)-MCX(Male)



Material:  
 Center Contact: Beryllium Copper / Au  
 Outer Contact: Beryllium Copper / Au  
 Body: Brass / Au  
 Insulator: PTFE

VSWR:  $\leq 1.10$  DC - 3 GHz

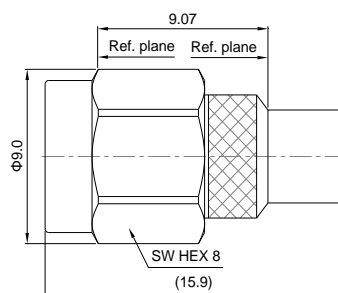
### SMA(Female)-MCX(Male)



Material:  
 Center Contact: Beryllium Copper / Au  
 Outer Contact: Beryllium Copper / Au  
 Body: Brass / Au  
 Insulator: PTFE

VSWR:  $\leq 1.10$  DC - 3 GHz

### SMA(Male)-MCX(Female)

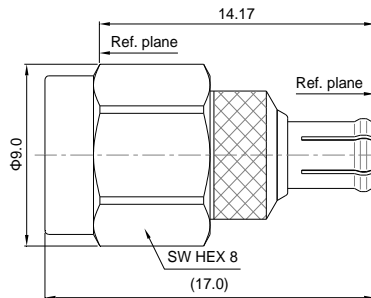


Material:  
 Center Contact: Beryllium Copper / Au  
 Body: Brass / Au  
 Coupling Nut: Brass / Au  
 Insulator: PTFE

VSWR:  $\leq 1.10$  DC - 3 GHz

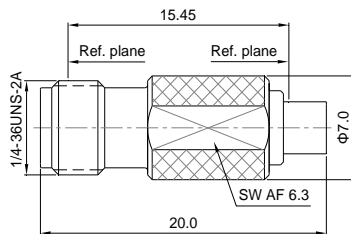
## Adaptors (Between Series)

### SMA(Male)-MCX(Male)



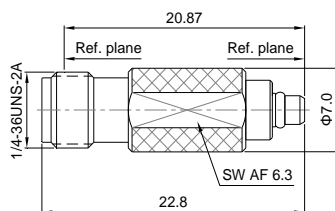
<b>Material:</b>	
Center Contact:	Brass / Au
Outer Contact:	Beryllium Copper / Au
Body:	Brass / Au
Coupling Nut:	Brass / Au
Insulator:	PTFE
<b>VSWR:</b>	$\leq 1.10$ DC - 3 GHz

### SMA(Female)-MMCX(Female)



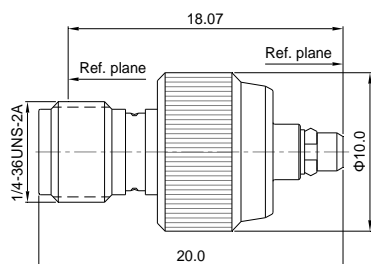
<b>Material:</b>	
Center Contact:	Beryllium Copper / Au
Body:	Brass / Au
Insulator:	PTFE
<b>VSWR:</b>	$\leq 1.10$ DC - 3 GHz

### SMA(Female)-MMCX(Male)



<b>Material:</b>	
Center Contact:	Beryllium Copper / Au
Spring Ring:	Beryllium Copper / Au
Body:	Brass / Au
Insulator:	PTFE
<b>VSWR:</b>	$\leq 1.10$ DC - 3 GHz

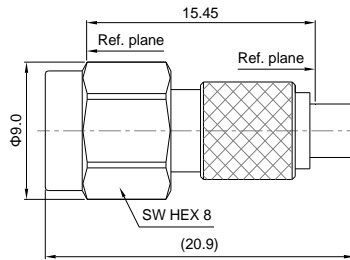
### SMA(Female)-MMCX(Male)



<b>Material:</b>	
Center Contact:	Beryllium Copper / Au
Spring Ring:	Beryllium Copper / Au
Body:	Brass / Au
Insulator:	PTFE
<b>VSWR:</b>	$\leq 1.10$ DC - 3 GHz

## Adaptors (Between Series)

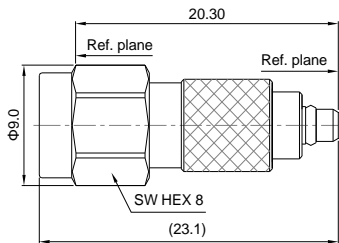
### SMA(Male)-MMCX(Female)



Material:  
 Center Contact: Beryllium Copper / Au  
 Body: Brass / Au  
 Coupling Nut: Brass / Au  
 Insulator: PTFE

VSWR:  $\leq 1.10$  DC - 3 GHz

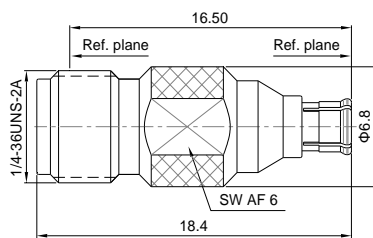
### SMA(Male)-MMCX(Male)



Material:  
 Center Contact: Brass / Au  
 Spring Ring: Beryllium Copper / Au  
 Body: Brass / Au  
 Coupling Nut: Brass / Au  
 Insulator: PTFE

VSWR:  $\leq 1.10$  DC - 3 GHz

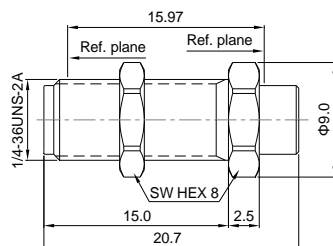
### SMA(Female)-SMP(Female)



Material:  
 Center Contact: Beryllium Copper / Au  
 Body: Beryllium Copper / Au  
 Insulator: PTFE

VSWR:  $\leq 1.10$  DC - 3 GHz

### SMA(Female)-SMP(Male)



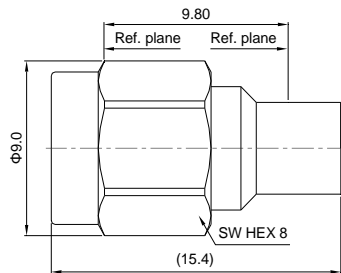
Material:  
 Center Contact: Beryllium Copper / Au  
 Body: Brass / Au  
 Nut: Brass / Au  
 Insulator: PTFE

VSWR:  $\leq 1.10$  DC - 3 GHz  
 $\leq 1.15$  3 - 6 GHz



## Adaptors (Between Series)

### SMA(Male)-SMP(Male)

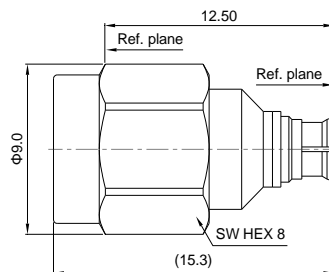


Material:

Center Contact: Brass / Au  
 Body: Brass / Au  
 Coupling Nut: Brass / Au  
 Insulator: PTFE

VSWR:  $\leq 1.10$  DC - 3 GHz

### SMA(Male)-SMP(Female)

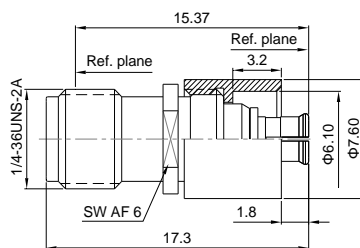


Material:

Center Contact: Beryllium Copper / Au  
 Body: Beryllium Copper / Au  
 Coupling Nut: Brass / Au  
 Insulator: PTFE

VSWR:  $\leq 1.10$  DC - 3 GHz

### SMA(Female)-L\_SMP(Female)

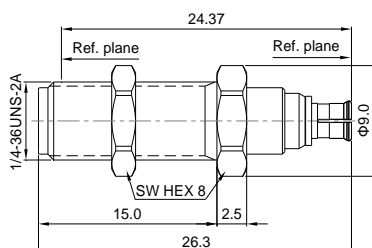


Material:

Center Contact: Beryllium Copper / Au  
 Outer Contact: Beryllium Copper / Au  
 Body: Brass / Au  
 Insulator: PTFE

VSWR:  $\leq 1.10$  DC - 3 GHz

### SMA(Female)-L\_SMP(Female)



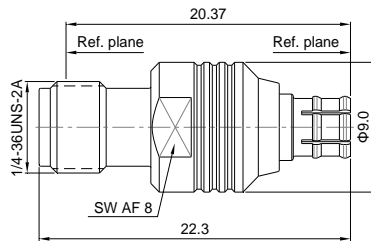
Material:

Center Contact: Beryllium Copper / Au  
 Outer Contact: Beryllium Copper / Au  
 Body: Brass / Au  
 Nut: Brass / Au  
 Insulator: PTFE

VSWR:  $\leq 1.10$  DC - 3 GHz

## Adaptors (Between Series)

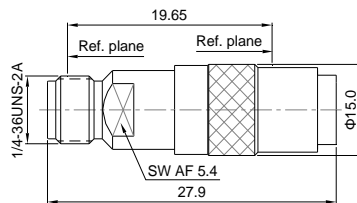
### SMA(Female)-P\_SMP(Female)



Material:  
 Center Contact: Beryllium Copper / Au  
 Outer Contact: Beryllium Copper / Au  
 Body: Brass / Au  
 Insulator: PTFE

VSWR:  $\leq 1.10$  DC - 3 GHz

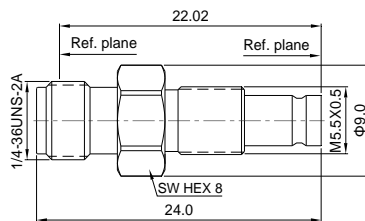
### SMA(Female)-1.0/2.3(Male)



Material:  
 Center Contact: Beryllium Copper / Au  
 Outer Contact: Beryllium Copper / Au  
 Body: Brass / Au  
 Insulator: PTFE

VSWR:  $\leq 1.05$  DC - 3 GHz  
 $\leq 1.10$  3 - 6 GHz

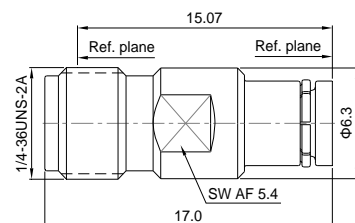
### SMA(Female)-1.0/2.3(Female)



Material:  
 Center Contact: Beryllium Copper / Au  
 Body: Brass / Au  
 Insulator: PTFE

VSWR:  $\leq 1.05$  DC - 3 GHz  
 $\leq 1.10$  3 - 6 GHz

### SMA(Female)-MBX(Male)

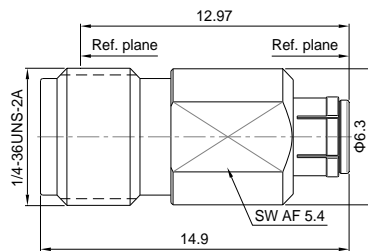


Material:  
 Center Contact: Beryllium Copper / Au  
 Outer Contact: Beryllium Copper / Au  
 Body: Brass / Au  
 Insulator: PTFE

VSWR:  $\leq 1.10$  DC - 3 GHz

## Adaptors (Between Series)

### SMA(Female)-MMBX(Male)

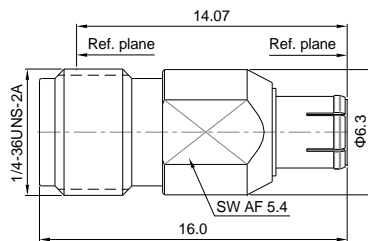


Material:

Center Contact: Beryllium Copper / Au  
 Outer Contact: Beryllium Copper / Au  
 Body: Brass / Au  
 Insulator: PTFE

VSWR:  $\leq 1.10$  DC - 3 GHz

### SMA(Female)-MFBX(Male)

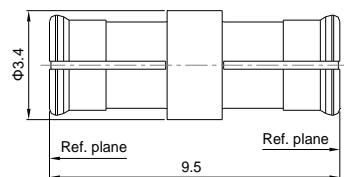


Material:

Center Contact: Beryllium Copper / Au  
 Outer Contact: Beryllium Copper / Au  
 Body: Brass / Au  
 Insulator: PTFE

VSWR:  $\leq 1.10$  DC - 3 GHz

### SMP(Female)-L\_SMP(Female)



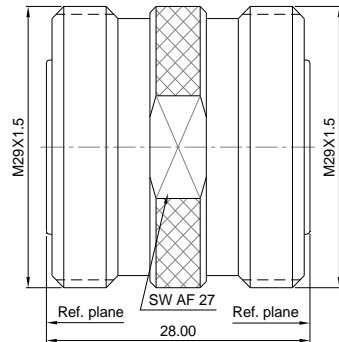
Material:

Center Contact: Beryllium Copper / Au  
 Body: Beryllium Copper / Au  
 Insulator: PTFE

VSWR:  $\leq 1.10$  DC - 3 GHz

## Precision Adaptors (Within Series)

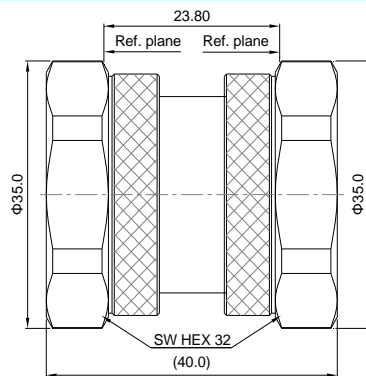
### 7/16(Female)-7/16(Female)



Material:  
 Center Contact: Beryllium Copper / Ag  
 Outer Contact: Brass / CuZnSn  
 Body: Brass / CuZnSn  
 Insulator: PTFE

VSWR:  $\leq 1.025$  DC - 7.5 GHz

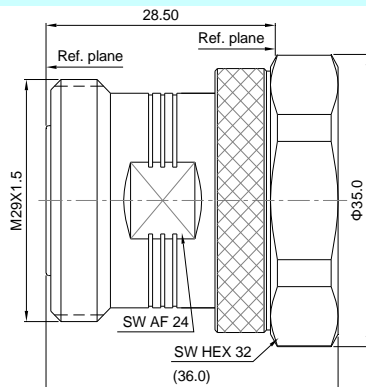
### 7/16(Male)-7/16(Male)



Material:  
 Center Contact: Beryllium Copper / Ag  
 Outer Contact: Brass / CuZnSn  
 Body: Brass / CuZnSn  
 Coupling Nut: Brass / CuZnSn  
 Insulator: PTFE

VSWR:  $\leq 1.025$  DC - 7.5 GHz

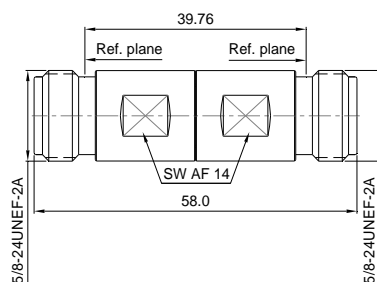
### 7/16(Female)-7/16(Male)



Material:  
 Center Contact: Beryllium Copper / Ag  
 Outer Contact: Brass / CuZnSn  
 Body: Brass / CuZnSn  
 Coupling Nut: Brass / CuZnSn  
 Insulator: PTFE

VSWR:  $\leq 1.025$  DC - 7.5 GHz

### N(Female)-N(Female)

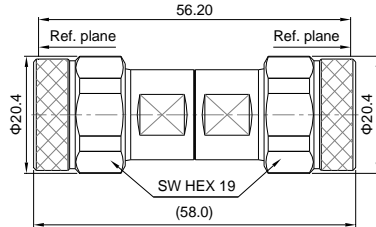


Material:  
 Center Contact: Beryllium Copper / Au  
 Outer Contact: Beryllium Copper / Au  
 Body: Stainless steel / Passivated  
 Insulator: PEI

VSWR:  $\leq 1.03$  DC - 6 GHz  
 $\leq 1.08$  6 - 18 GHz

## Precision Adaptors (Within Series)

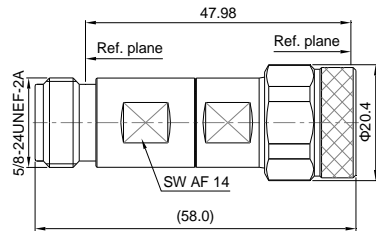
### N(Male)-N(Male)



Material:  
 Center Contact: Beryllium Copper / Au  
 Outer Contact: Beryllium Copper / Au  
 Body: Stainless steel / Passivated  
 Coupling Nut: Stainless steel / Passivated  
 Insulator: PEI

VSWR:  $\leq 1.03$  DC - 6 GHz  
 $\leq 1.08$  6 - 18 GHz

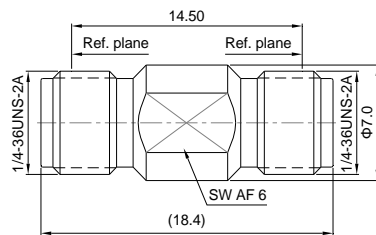
### N(Female)-N(Male)



Material:  
 Center Contact: Beryllium Copper / Au  
 Outer Contact: Beryllium Copper / Au  
 Body: Stainless steel / Passivated  
 Coupling Nut: Stainless steel / Passivated  
 Insulator: PEI

VSWR:  $\leq 1.03$  DC - 6 GHz  
 $\leq 1.08$  6 - 18 GHz

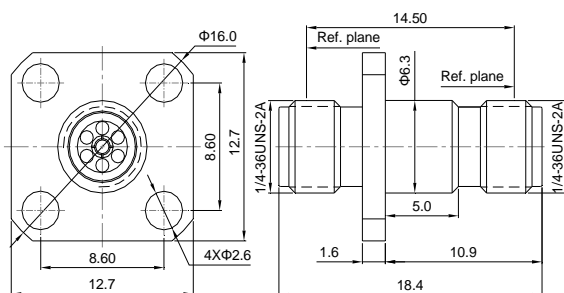
### 3.5mm(Female)-3.5mm(Female)



Material:  
 Center Contact: Beryllium Copper / Au  
 Body: Stainless steel / Passivated  
 Insulator: PEI

VSWR:  $\leq 1.05$  DC - 20 GHz  
 $\leq 1.08$  20 - 26.5 GHz

### 3.5mm(Female)-3.5mm(Female)

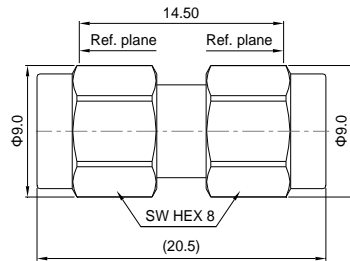


Material:  
 Center Contact: Beryllium Copper / Au  
 Body: Stainless steel / Passivated  
 Insulator: PEI

VSWR:  $\leq 1.05$  DC - 20 GHz  
 $\leq 1.08$  20 - 26.5 GHz

## Precision Adaptors (Within Series)

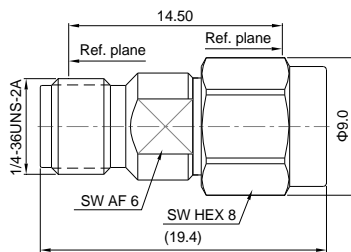
### 3.5mm(Male)-3.5mm(Male)



Material:  
 Center Contact: Beryllium Copper / Au  
 Body: Stainless steel / Passivated  
 Coupling Nut: Stainless steel / Passivated  
 Insulator: PEI

VSWR:  $\leq 1.05$  DC - 20 GHz  
 $\leq 1.08$  20 - 26.5 GHz

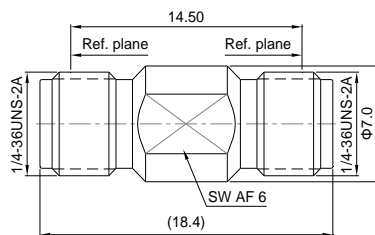
### 3.5mm(Female)-3.5mm(Male)



Material:  
 Center Contact: Beryllium Copper / Au  
 Body: Stainless steel / Passivated  
 Coupling Nut: Stainless steel / Passivated  
 Insulator: PEI

VSWR:  $\leq 1.05$  DC - 20 GHz  
 $\leq 1.08$  20 - 26.5 GHz

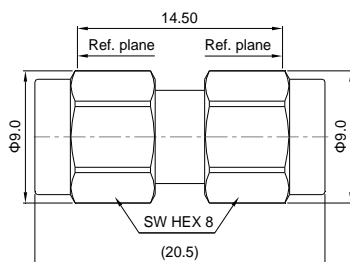
### 2.92mm(Female)-2.92mm(Female)



Material:  
 Center Contact: Beryllium Copper / Au  
 Body: Stainless steel / Passivated  
 Insulator: PEI

VSWR:  $\leq 1.08$  DC - 20 GHz  
 $\leq 1.15$  20 - 40 GHz

### 2.92mm(Male)-2.92mm(Male)

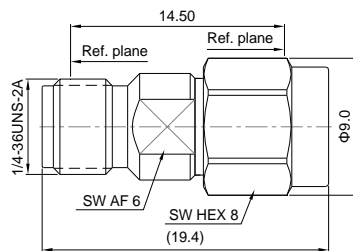


Material:  
 Center Contact: Beryllium Copper / Au  
 Body: Stainless steel / Passivated  
 Coupling Nut: Stainless steel / Passivated  
 Insulator: PEI

VSWR:  $\leq 1.08$  DC - 20 GHz  
 $\leq 1.15$  20 - 40 GHz

## Precision Adaptors (Within Series)

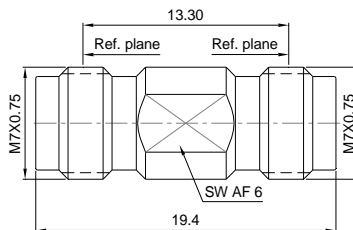
### 2.92mm(Female)-2.92mm(Male)



Material:  
 Center Contact: Beryllium Copper / Au  
 Body: Stainless steel /Passivated  
 Coupling Nut: Stainless steel /Passivated  
 Insulator: PEI

VSWR:  $\leq 1.08$  DC -20 GHz  
 $\leq 1.15$  20 -40 GHz

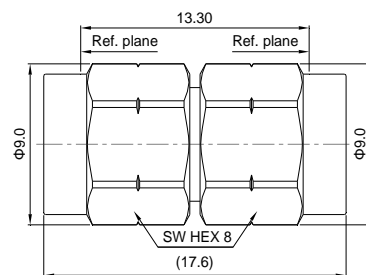
### 2.4mm(Female)-2.4mm(Female)



Material:  
 Center Contact: Beryllium Copper / Au  
 Body: Stainless steel /Passivated  
 Insulator: PEI

VSWR:  $\leq 1.08$  DC -20 GHz  
 $\leq 1.12$  20 -40 GHz  
 $\leq 1.15$  20 -50 GHz

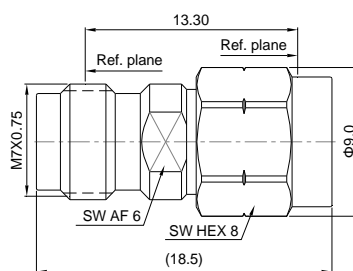
### 2.4mm(Male)-2.4mm(Male)



Material:  
 Center Contact: Beryllium Copper / Au  
 Body: Stainless steel /Passivated  
 Coupling Nut: Stainless steel /Passivated  
 Insulator: PEI

VSWR:  $\leq 1.08$  DC -20 GHz  
 $\leq 1.12$  20 -40 GHz  
 $\leq 1.15$  20 -50 GHz

### 2.4mm(Female)-2.4mm(Male)

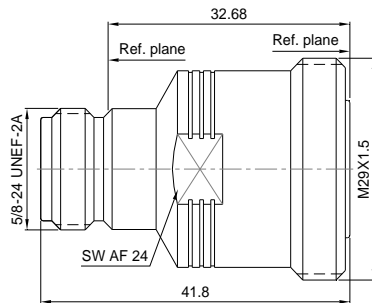


Material:  
 Center Contact: Beryllium Copper / Au  
 Body: Stainless steel /Passivated  
 Coupling Nut: Stainless steel /Passivated  
 Insulator: PEI

VSWR:  $\leq 1.08$  DC -20 GHz  
 $\leq 1.12$  20 -40 GHz  
 $\leq 1.15$  20 -50 GHz

## Precision Adaptors (Between Series)

N(Female)-7/16(Female)

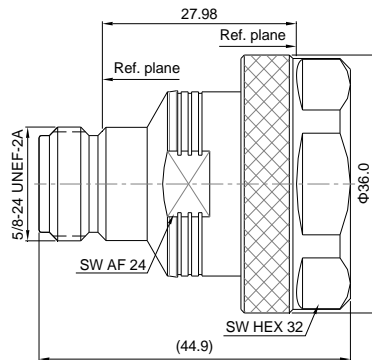


Material:  
 Center Contact: Beryllium Copper / Ag  
 Outer Contact: Brass / CuZnSn  
 Body: Brass / CuZnSn  
 Insulator: PTFE

VSWR:  $\leq 1.03$  DC - 7.5 GHz

PN: 21\_03F01M\_7.5\_01

N(Female)-7/16(Male)

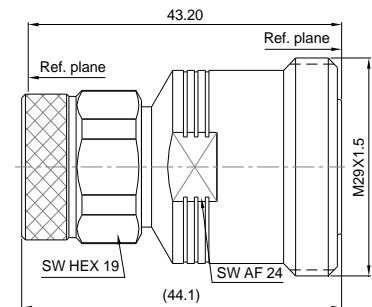


Material:  
 Center Contact: Beryllium Copper / Ag  
 Outer Contact: Brass / CuZnSn  
 Body: Brass / CuZnSn  
 Coupling Nut: Brass / CuZnSn  
 Insulator: PTFE

VSWR:  $\leq 1.03$  DC - 7.5 GHz

PN: 21\_03M01F\_7.5\_01

N(Male)-7/16(Female)

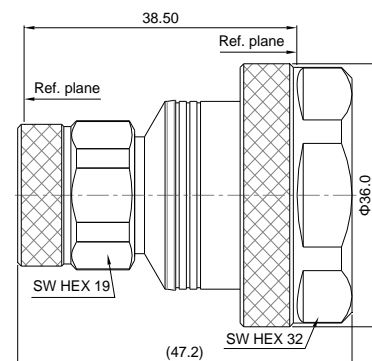


Material:  
 Center Contact: Beryllium Copper / Ag  
 Outer Contact: Brass / CuZnSn  
 Body: Brass / CuZnSn  
 Coupling Nut: Stainless steel / Passivated  
 Insulator: PTFE

VSWR:  $\leq 1.03$  DC - 7.5 GHz

PN: 21\_03M01M\_7.5\_01

N(Male)-7/16(Male)



Material:  
 Center Contact: Beryllium Copper / Ag  
 Outer Contact: Brass / CuZnSn  
 Body: Brass / CuZnSn  
 Coupling Nut(N): Stainless steel / Passivated  
 Coupling Nut(7/16): Brass / CuZnSn  
 Insulator: PTFE

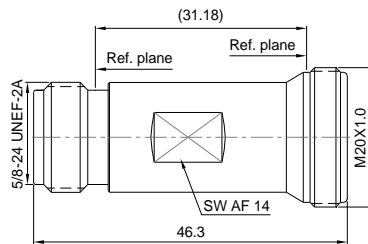
VSWR:  $\leq 1.03$  DC - 7.5 GHz



## Precision Adaptors (Between Series)

PN: 21\_03F02F\_14\_01

N(Female)-4.1/9.5(Female)



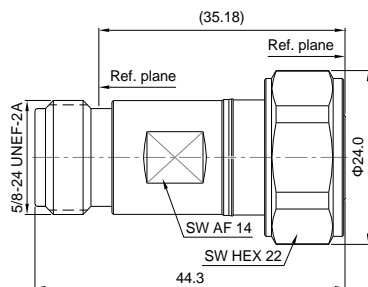
Material:

Center Contact: Beryllium Copper / Au  
 Outer Contact: Beryllium Copper / Au  
 Body: Stainless steel / Passivated  
 Insulator: PEI

VSWR:  $\leq 1.03$  DC - 6 GHz  
 $\leq 1.08$  6 - 14 GHz

PN: 21\_03F02M\_14\_01

N(Female)-4.1/9.5(Male)



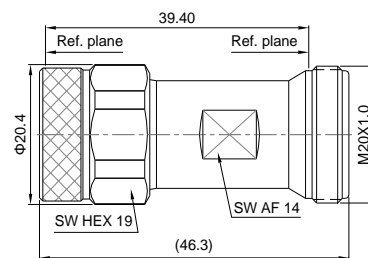
Material:

Center Contact: Beryllium Copper / Au  
 Outer Contact: Beryllium Copper / Au  
 Body: Stainless steel / Passivated  
 Coupling Nut: Stainless steel / Passivated  
 Insulator: PEI

VSWR:  $\leq 1.03$  DC - 6 GHz  
 $\leq 1.08$  6 - 14 GHz

PN: 21\_03M02F\_14\_01

N(Male)-4.1/9.5(Female)



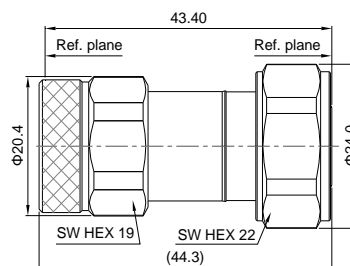
Material:

Center Contact: Beryllium Copper / Au  
 Outer Contact: Beryllium Copper / Au  
 Body: Stainless steel / Passivated  
 Coupling Nut: Stainless steel / Passivated  
 Insulator: PEI

VSWR:  $\leq 1.03$  DC - 6 GHz  
 $\leq 1.08$  6 - 14 GHz

PN: 21\_03M02M\_14\_01

N(Male)-4.1/9.5(Male)



Material:

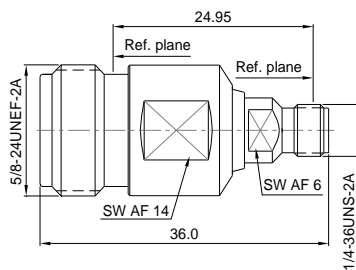
Center Contact: Beryllium Copper / Au  
 Outer Contact: Beryllium Copper / Au  
 Body: Stainless steel / Passivated  
 Coupling Nut: Stainless steel / Passivated  
 Insulator: PEI

VSWR:  $\leq 1.03$  DC - 6 GHz  
 $\leq 1.08$  6 - 14 GHz

## Precision Adaptors (Between Series)

PN: 21\_03F16F\_18\_01

N(Female)-3.5mm(Female)



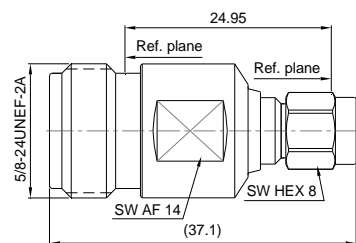
Material:

Center Contact: Beryllium Copper / Au  
 Outer Contact: Beryllium Copper / Au  
 Body: Stainless steel / Passivated  
 Insulator: PEI

VSWR:  $\leq 1.03$  DC - 6 GHz  
 $\leq 1.08$  6 - 18 GHz

PN: 21\_03F16M\_18\_01

N(Female)-3.5mm(Male)



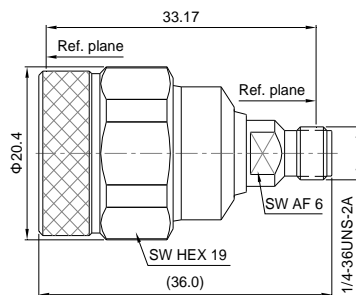
Material:

Center Contact: Beryllium Copper / Au  
 Outer Contact: Beryllium Copper / Au  
 Body: Stainless steel / Passivated  
 Coupling Nut: Stainless steel / Passivated  
 Insulator: PEI

VSWR:  $\leq 1.03$  DC - 6 GHz  
 $\leq 1.08$  6 - 18 GHz

PN: 21\_03M16F\_18\_01

N(Male)-3.5mm(Female)



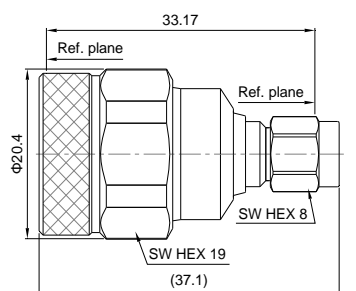
Material:

Center Contact: Beryllium Copper / Au  
 Outer Contact: Beryllium Copper / Au  
 Body: Stainless steel / Passivated  
 Coupling Nut: Stainless steel / Passivated  
 Insulator: PEI

VSWR:  $\leq 1.03$  DC - 6 GHz  
 $\leq 1.08$  6 - 18 GHz

PN: 21\_03M16M\_18\_01

N(Male)-3.5mm(Male)



Material:

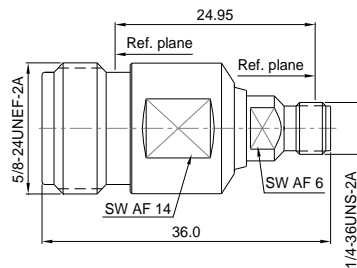
Center Contact: Beryllium Copper / Au  
 Outer Contact: Beryllium Copper / Au  
 Body: Stainless steel / Passivated  
 Coupling Nut: Stainless steel / Passivated  
 Insulator: PEI

VSWR:  $\leq 1.03$  DC - 6 GHz  
 $\leq 1.08$  6 - 18 GHz

## Precision Adaptors (Between Series)

PN: 21\_03F17F\_18\_01

N(Female)-2.92mm(Female)



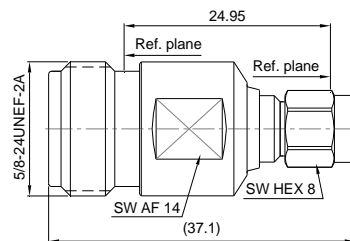
Material:

Center Contact: Beryllium Copper / Au  
 Outer Contact: Beryllium Copper / Au  
 Body: Stainless steel / Passivated  
 Insulator: PEI

VSWR:  $\leq 1.03$  DC - 6 GHz  
 $\leq 1.08$  6 - 18 GHz

PN: 21\_03F17M\_18\_01

N(Female)-2.92mm(Male)



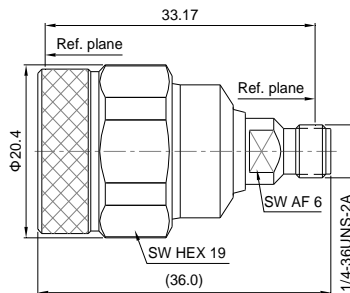
Material:

Center Contact: Beryllium Copper / Au  
 Outer Contact: Beryllium Copper / Au  
 Body: Stainless steel / Passivated  
 Coupling Nut: Stainless steel / Passivated  
 Insulator: PEI

VSWR:  $\leq 1.03$  DC - 6 GHz  
 $\leq 1.08$  6 - 18 GHz

PN: 21\_03M17F\_18\_01

N(Male)-2.92mm(Female)



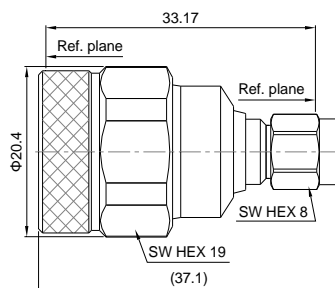
Material:

Center Contact: Beryllium Copper / Au  
 Outer Contact: Beryllium Copper / Au  
 Body: Stainless steel / Passivated  
 Coupling Nut: Stainless steel / Passivated  
 Insulator: PEI

VSWR:  $\leq 1.03$  DC - 6 GHz  
 $\leq 1.08$  6 - 18 GHz

PN: 21\_03M17M\_18\_01

N(Male)-2.92mm(Male)



Material:

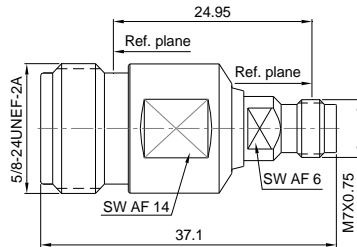
Center Contact: Beryllium Copper / Au  
 Outer Contact: Beryllium Copper / Au  
 Body: Stainless steel / Passivated  
 Coupling Nut: Stainless steel / Passivated  
 Insulator: PEI

VSWR:  $\leq 1.03$  DC - 6 GHz  
 $\leq 1.08$  6 - 18 GHz

## Precision Adaptors (Between Series)

PN: 21\_03F18F\_18\_01

N(Female)-2.4mm(Female)



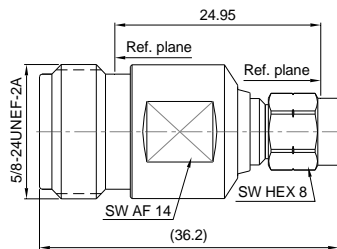
Material:

Center Contact: Beryllium Copper / Au  
 Outer Contact: Beryllium Copper / Au  
 Body: Stainless steel / Passivated  
 Insulator: PEI

VSWR:  $\leq 1.03$  DC - 6 GHz  
 $\leq 1.08$  6 - 18 GHz

PN: 21\_03F18M\_18\_01

N(Female)-2.4mm(Male)



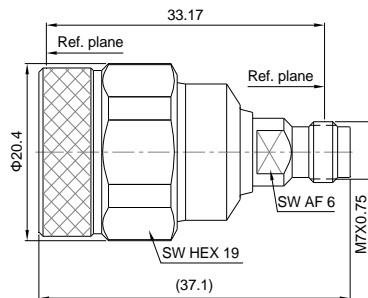
Material:

Center Contact: Beryllium Copper / Au  
 Outer Contact: Beryllium Copper / Au  
 Body: Stainless steel / Passivated  
 Coupling Nut: Stainless steel / Passivated  
 Insulator: PEI

VSWR:  $\leq 1.03$  DC - 6 GHz  
 $\leq 1.08$  6 - 18 GHz

PN: 21\_03M18F\_18\_01

N(Male)-2.4mm(Female)



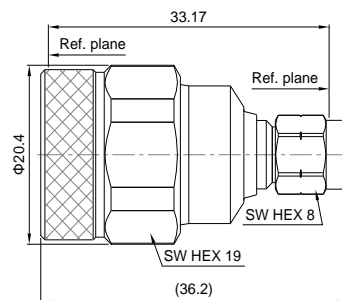
Material:

Center Contact: Beryllium Copper / Au  
 Outer Contact: Beryllium Copper / Au  
 Body: Stainless steel / Passivated  
 Coupling Nut: Stainless steel / Passivated  
 Insulator: PEI

VSWR:  $\leq 1.03$  DC - 6 GHz  
 $\leq 1.08$  6 - 18 GHz

PN: 21\_03M18M\_18\_01

N(Male)-2.4mm(Male)



Material:

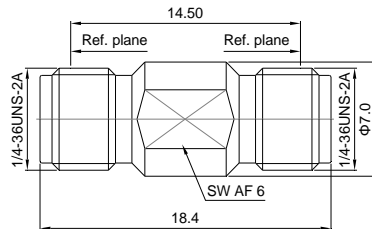
Center Contact: Beryllium Copper / Au  
 Outer Contact: Beryllium Copper / Au  
 Body: Stainless steel / Passivated  
 Coupling Nut: Stainless steel / Passivated  
 Insulator: PEI

VSWR:  $\leq 1.03$  DC - 6 GHz  
 $\leq 1.08$  6 - 18 GHz

## Precision Adaptors (Between Series)

PN: 21\_16F17F\_26.5\_01

3.5mm(Female)-2.92mm(Female)



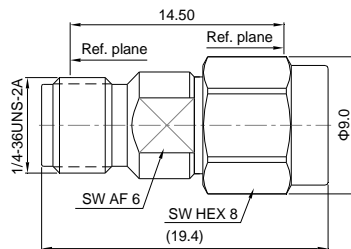
Material:

Center Contact: Beryllium Copper / Au  
 Body: Stainless steel / Passivated  
 Insulator: PEI

VSWR:  $\leq 1.06$  DC - 20 GHz  
 $\leq 1.10$  20 -26.5 GHz

PN: 21\_16F17M\_26.5\_01

3.5mm(Female)-2.92mm(Male)



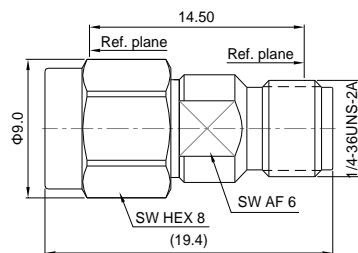
Material:

Center Contact: Beryllium Copper / Au  
 Body: Stainless steel / Passivated  
 Coupling Nut: Stainless steel / Passivated  
 Insulator: PEI

VSWR:  $\leq 1.06$  DC - 20 GHz  
 $\leq 1.10$  20 -26.5 GHz

PN: 21\_16M17F\_26.5\_01

3.5mm(Male)-2.92mm(Female)



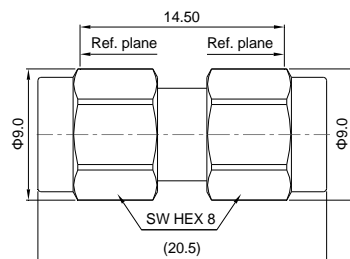
Material:

Center Contact: Beryllium Copper / Au  
 Body: Stainless steel / Passivated  
 Coupling Nut: Stainless steel / Passivated  
 Insulator: PEI

VSWR:  $\leq 1.06$  DC - 20 GHz  
 $\leq 1.10$  20 -26.5 GHz

PN: 21\_16M17M\_26.5\_01

3.5mm(Male)-2.92mm(Male)



Material:

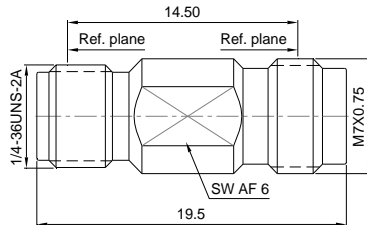
Center Contact: Beryllium Copper / Au  
 Body: Stainless steel / Passivated  
 Coupling Nut: Stainless steel / Passivated  
 Insulator: PEI

VSWR:  $\leq 1.06$  DC - 20 GHz  
 $\leq 1.10$  20 -26.5 GHz

## Precision Adaptors (Between Series)

PN: 21\_16F18F\_26.5\_01

3.5mm(Female)-2.4mm(Female)



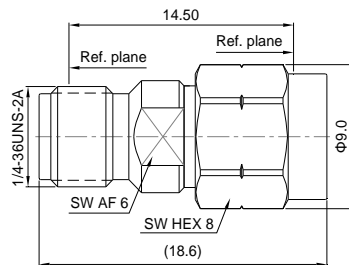
Material:

Center Contact: Beryllium Copper / Au  
 Body: Stainless steel / Passivated  
 Insulator: PEI

VSWR:  $\leq 1.06$  DC - 20 GHz  
 $\leq 1.10$  20 -26.5 GHz

PN: 21\_16F18M\_26.5\_01

3.5mm(Female)-2.4mm(Male)



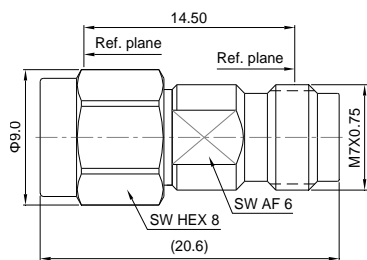
Material:

Center Contact: Beryllium Copper / Au  
 Body: Stainless steel / Passivated  
 Coupling Nut: Stainless steel / Passivated  
 Insulator: PEI

VSWR:  $\leq 1.06$  DC - 20 GHz  
 $\leq 1.10$  20 -26.5 GHz

PN: 21\_16M18F\_26.5\_01

3.5mm(Male)-2.4mm(Female)



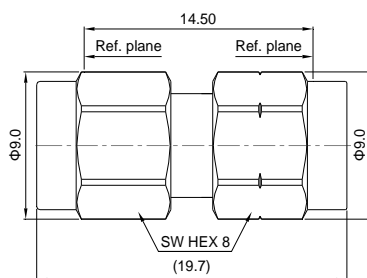
Material:

Center Contact: Beryllium Copper / Au  
 Body: Stainless steel / Passivated  
 Coupling Nut: Stainless steel / Passivated  
 Insulator: PEI

VSWR:  $\leq 1.06$  DC - 20 GHz  
 $\leq 1.10$  20 -26.5 GHz

PN: 21\_16M18M\_26.5\_01

3.5mm(Male)-2.4mm(Male)



Material:

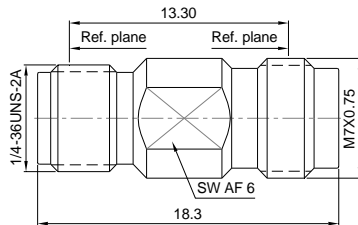
Center Contact: Beryllium Copper / Au  
 Body: Stainless steel / Passivated  
 Coupling Nut: Stainless steel / Passivated  
 Insulator: PEI

VSWR:  $\leq 1.06$  DC - 20 GHz  
 $\leq 1.10$  20 -26.5 GHz

## Precision Adaptors (Between Series)

PN: 21\_17F18F\_40\_01

2.92mm(Female)-2.4mm(Female)



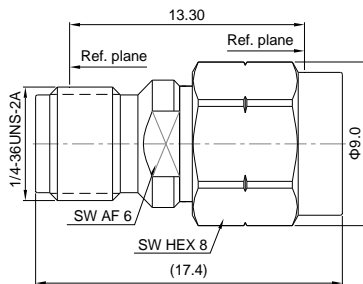
Material:

Center Contact: Beryllium Copper / Au  
 Body: Stainless steel /Passivated  
 Insulator: PEI

VSWR:  $\leq 1.10$  DC - 20 GHz  
 $\leq 1.15$  20 -40 GHz

PN: 21\_17F18M\_40\_01

2.92mm(Female)-2.4mm(Male)



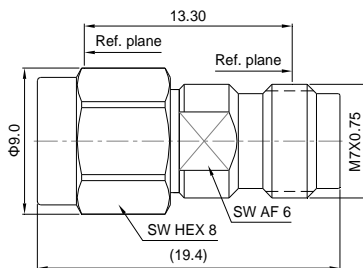
Material:

Center Contact: Beryllium Copper / Au  
 Body: Stainless steel /Passivated  
 Coupling Nut: Stainless steel /Passivated  
 Insulator: PEI

VSWR:  $\leq 1.10$  DC - 20 GHz  
 $\leq 1.15$  20 -40 GHz

PN: 21\_17M18F\_40\_01

2.92mm(Male)-2.4mm(Female)



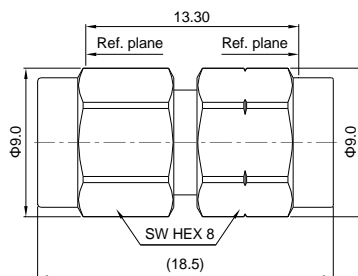
Material:

Center Contact: Beryllium Copper / Au  
 Body: Stainless steel /Passivated  
 Coupling Nut: Stainless steel /Passivated  
 Insulator: PEI

VSWR:  $\leq 1.10$  DC - 20 GHz  
 $\leq 1.15$  20 -40 GHz

PN: 21\_17M18M\_40\_01

2.92mm(Male)-2.4mm(Male)



Material:

Center Contact: Beryllium Copper / Au  
 Body: Stainless steel /Passivated  
 Coupling Nut: Stainless steel /Passivated  
 Insulator: PEI

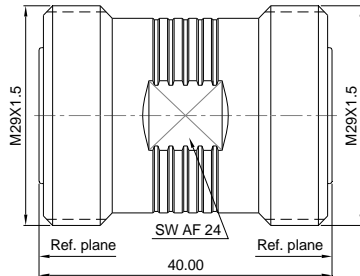
VSWR:  $\leq 1.10$  DC - 20 GHz  
 $\leq 1.15$  20 -40 GHz



## PIM Adaptors

PN: 12\_01F01F\_03\_01

7/16(Female)-7/16(Female)



Material:

Center Contact: Beryllium Copper / Ag

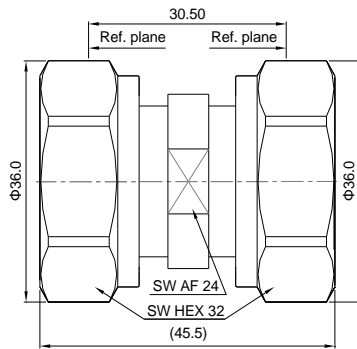
Body: Phosphor bronze / Ag

Insulator: PTFE

PIM:  $\leq -168\text{dBc}$  (2 x 43 dBm carrier)

PN: 12\_01M01M\_03\_01

7/16(Male)-7/16(Male)



Material:

Center Contact: Beryllium Copper / Ag

Body: Phosphor bronze / Ag

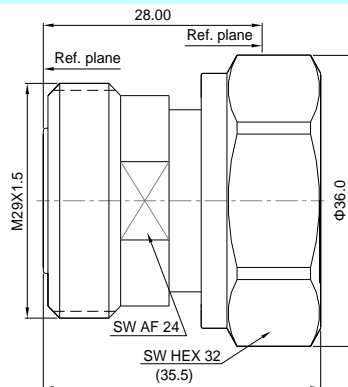
Coupling Nut: Stainless steel / Passivated

Insulator: PTFE

PIM:  $\leq -168\text{dBc}$  (2 x 43 dBm carrier)

PN: 12\_01F01M\_03\_01

7/16(Female)-7/16(Male)



Material:

Center Contact: Beryllium Copper / Ag

Body: Phosphor bronze / Ag

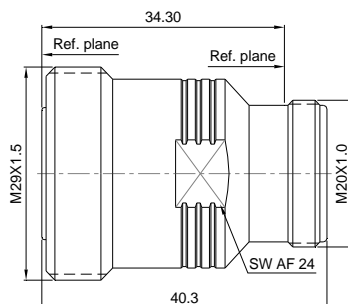
Coupling Nut: Stainless steel / Passivated

Insulator: PTFE

PIM:  $\leq -168\text{dBc}$  (2 x 43 dBm carrier)

PN: 12\_01F02F\_03\_01

7/16(Female)-4.1/9.5(Female)



Material:

Center Contact: Beryllium Copper / Ag

Body: Phosphor bronze / Ag

Insulator: PTFE

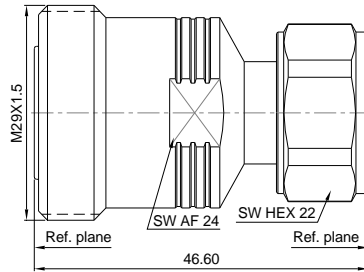
PIM:  $\leq -168\text{dBc}$  (2 x 43 dBm carrier)



## PIM Adaptors

PN: 12\_01F02M\_03\_01

7/16(Female)-4.1/9.5(Male)



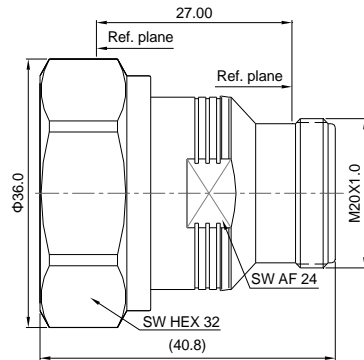
Material:

Center Contact: Beryllium Copper / Ag  
 Body: Phosphor bronze / Ag  
 Coupling Nut: Stainless steel /Passivated  
 Insulator: PTFE

PIM:  $\leq -168\text{dBc}$  (2 x 43 dBm carrier)

PN: 12\_01M02F\_03\_01

7/16(Male)-4.1/9.5(Female)



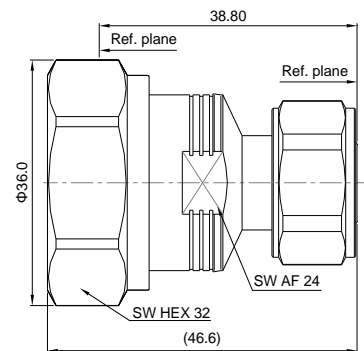
Material:

Center Contact: Beryllium Copper / Ag  
 Body: Phosphor bronze / Ag  
 Coupling Nut: Stainless steel /Passivated  
 Insulator: PTFE

PIM:  $\leq -168\text{dBc}$  (2 x 43 dBm carrier)

PN: 12\_01M02M\_03\_01

7/16(Male)-4.1/9.5(Male)



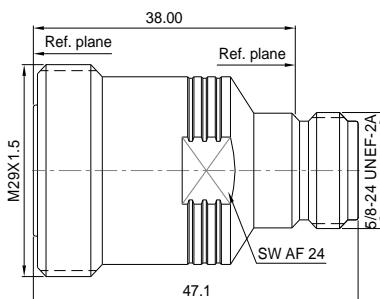
Material:

Center Contact: Beryllium Copper / Ag  
 Body: Phosphor bronze / Ag  
 Coupling Nut: Stainless steel /Passivated  
 Insulator: PTFE

PIM:  $\leq -168\text{dBc}$  (2 x 43 dBm carrier)

PN: 12\_01F03F\_03\_01

7/16(Female)-N(Female)



Material:

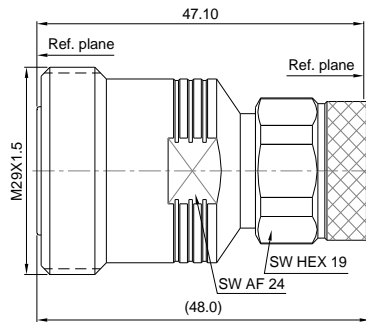
Center Contact: Beryllium Copper / Ag  
 Body: Phosphor bronze / Ag  
 Insulator: PTFE

PIM:  $\leq -168\text{dBc}$  (2 x 43 dBm carrier)

## PIM Adaptors

PN: 12\_01F03M\_03\_01

7/16(Female)-N(Male)



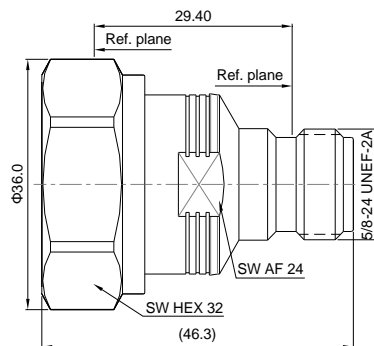
Material:

Center Contact: Beryllium Copper / Ag  
 Body: Phosphor bronze / Ag  
 Coupling Nut: Stainless steel /Passivated  
 Insulator: PTFE

PIM:  $\leq -168\text{dBc}$  (2 x 43 dBm carrier)

PN: 12\_01M03F\_03\_01

7/16(Male)-N(Female)



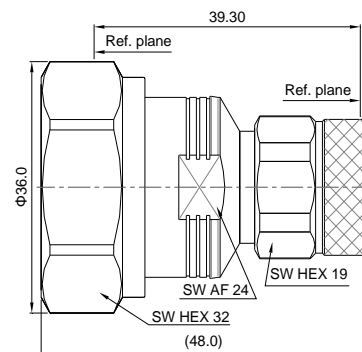
Material:

Center Contact: Beryllium Copper / Ag  
 Body: Phosphor bronze / Ag  
 Coupling Nut: Stainless steel /Passivated  
 Insulator: PTFE

PIM:  $\leq -168\text{dBc}$  (2 x 43 dBm carrier)

PN: 12\_01M03M\_03\_01

7/16(Male)-N(Male)



Material:

Center Contact: Beryllium Copper / Ag  
 Body: Phosphor bronze / Ag  
 Coupling Nut: Stainless steel /Passivated  
 Insulator: PTFE

PIM:  $\leq -168\text{dBc}$  (2 x 43 dBm carrier)