

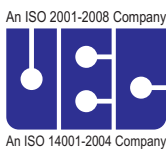


ASHOK LEYLAND
Aapki Jeet. Hamari Jeet.

//
A RELIABLE **ENERGY**
SUPPLY THAT WILL
NEVER LET
YOU DOWN
//

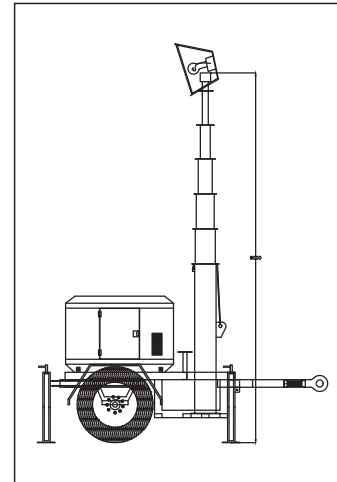
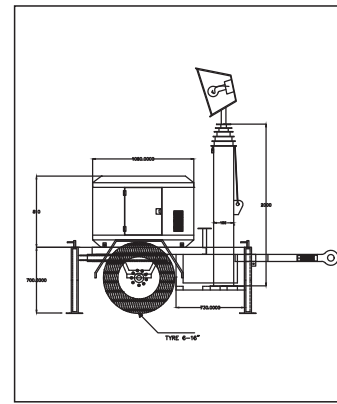


DIESEL GENERATORS
LEYPower
POWERING YOUR NEEDS
MOBILE LIGHTING TOWER



MANUFACTURER OF DIESEL GENERATORS
UNITED GENSETS PVT. LTD.

Generator set Models	5 KVA MLT TROLLY	
Specification of DG Set	Engine Make	ASHOK LEYLAND
	Engine Model	AL418DG1
	KVA	5
	kW	4
	Bhp	7.5
	P.F	0.8
	No. of cylinders	1
	Rpm	3000
	Fuel	Diesel
	Fuel Consumption	1.4 Ltr/hr
	Phase	Single phase
	Current (Amp)	21
	Voltage	230 V - 50 Hz
Noise Level	Below 75 db	
Acoustic Enclosure Details	Canopy size , mm	970mm (L) X 586mm (W) X 899mm (H)
	Fuel tank capacity (liters)	20 L
Trolley details	LENGTH (mm)	1700 + 885
	WIDTH (mm)	700
	HIGHT (mm)	700
	Tower height (mm)	9000
	Total Tower height from Ground level	9350
Lamps details	Trolley Wheels	Nos- 2 with Hand break
	No. of lamps	4 Nos
	Watt of lamps	130 W per each lamps
	Lumens	180 lumens per watt
	Total lumens of one lamps	23400 lumens per lamps
	Area cover	30 ft



PORTABLE LIGHTING TOWER WITH GENERATOR SET



“Inspired by your **Need**
Powered by **Technology !!!**”



MANUFACTURER OF DIESEL GENERATORS
UNITED GENSETS PVT. LTD.

FACTORY & CORPORATE OFFICE : B10/2, Adjacent to Colgate Co., M.I.D.C. Waluj, Aurangabad - 431136
(M.S.) **Ph.:** (0240) 2553307, 2554732, 9822046768 **Telefax :** 236918 **Website :** unitedgenset.com
E-mail : unityunited@gmail.com / info.unityunited@gmail.com **GSTIN-27AAACU6201G1ZN**

Note :- In view of our policy of continuously improving our products, we reserve the right of alter specifications or designs without prior notice and without liability. Illustration do not necessarily show the product in its standard form