

UDS PIPES & FITTINGS



COMPLETE UNDERGROUND DRAINAGE SOLUTION

About Us

Ajay Pipes is part of an over 50 years old organization, a leader in plumbing & drainage solutions offering complete range of piping products for internal and external use. The company offers advanced engineered, value added and superior quality products through its multi-locational manufacturing, nationwide dealer network and support team.

The company has been the pioneer in

- UPVC pipe
- Reinforced suction Hose
- Reinforced Layflat Hose
- UPVC Corrugated pipes
- Handpumps

Mission

“To ensure customer service & satisfaction by providing high quality plastic piping solutions through a ubiquitous distribution network, spreading product awareness and constantly improving manufacturing and operational efficiencies through systems and result oriented, competent manpower resources thereby creating sustained value for all our customers and stakeholders while maintaining high ethical standards”

Core Values

- Invest in Quality of People First
- Go the Last Mile for the Customer
- Focus on Innovation & Speed
- Run Lean & Unbureaucratic
- Improve Performance every single day
- Act Honestly, with Integrity & Citizenship
- Work Hard, Oriented to Results, yet have fun

Infrastructure

- Factories at Pune and Delhi
- Certified ISO 9001, ISO 14001 and OHSAS 18001
- Pipes manufactured using latest twin screw technology
- Fittings using advanced injection molding technique
- 9 Warehoused in different parts of the country
- Well equipped Tool rooms
- Full equipped laboratories and development facilities
- 500+strong distribution network
- Trained sales force

Other Divisions

- Handpumps • Screen and Casing pipes
- Relieflines products • Tubelight Fixtures
- Mainline electrical power outlet system
- Customised extruded profiles



DELHI OFFICE



PUNE PLANT

AJAY MANUFACTURES COMPLETE RANGE OF:



COMPLETE SOLUTION FOR HOT AND COLD WATER PLUMBING

FEATURES AND BENEFITS

- 25% Higher Performance
- Proven hot water performance upto 93°C
- The only NSF Certified CPVC Pipes & Fittings.
- Manufactured from imported environment friendly virgin high performance CPVC Compounds
- Safe for drinking water and human health
- Exceptional all weather corrosion resistance
- No scaling or pitting maintains flow
- Microbial resistance
- Self extinguishing
- UV resistance
- Low thermal expansion
- High impact resistance
- Fast and Easy installation
- Consistent and reliable jointing
- Cost effective

RANGE AVAILABLE

- CPVC Pipes – SDR 11 – ½” to 2”
- CPVC Pipes – SDR 13.5 – ½” to 2”
- CPVC Pipes – SCH 40 – 2-1/2” to 8”
- CPVC Pipes – SCH 80 – 2-1/2” to 8”
- Fittings – SDR 11 - 1/2” to 2”
- Fittings – SCH 80 - 2-1/2” to 8”
- Fittings – SCH 40 - 2-1/2” to 4”
- Ball Valves, Unions & Flanges
- Solvents & Primers

FEATURES AND BENEFITS

- Manufactured from environment friendly virgin UPVC Compounds
- Lead free material does not affect water quality for human health
- Does not corrode
- Does not support scaling even in hard water conditions.
- High strength.
- All weather UV resistance.
- Does not support combustion.
- Good impact resistance.
- Fast and Easy installation
- Consistent and reliable jointing
- Stringent quality control
- Cost effective with very low lifetime ownership cost
- Ajay Greenline is fully compatible with cold water plumbing system

RANGE AVAILABLE

- UPVC Pipes – SCH 40 - 1/2” to 8”
- UPVC Pipes – SCH 80 - 1/2” to 8”
- Fittings – SCH 80 - 1/2” to 8”
- Fittings – SCH 40 - 2 1/2” to 4”
- Ball Valves, Unions & Flanges
- Solvents & Primers



COMPLETE SOLUTION FOR COLD WATER PLUMBING



COMPLETE SOLUTION FOR SOIL, WASTE & RAIN WATER DRAINAGE

FEATURES AND BENEFITS

- Quick & Easy Installation due to Light weight pipes & Fittings.
- Leak proof joints.
- Maintenance free systems.
- All pipe & fittings in strict compliance to standards.
- Available in Ring fit jointing & solvent fit jointing systems
- Full range of pipe & fittings
- Pipe manufactured using latest twin screw technology & fittings using latest injection molding technology.
- Corrosion & rust proof.
- Chemical resistant {Specially to most household chemicals}
- High flow rate with smooth & no scaling or depositions.

RANGE AVAILABLE

- SWR Pipe - Solvent Fit and Ring Fit Size: 75 mm, 110 mm, 160 mm
- AGRI Pipe - 20 mm, 25 mm, 32 mm, 40 mm, 50 mm, 63 mm, 75 mm, 90 mm, 110 mm, 140 mm, 160 mm, 180 mm, 200 mm, 225 mm, 250 mm, 315 mm
- SWR Fittings - Solvent Fit and Ring Fit Type: 75 mm, 90 mm 110 mm, 160 mm
- AGRI Fittings - 40 mm, 50 mm, 75 mm, 90 mm, 110 mm
- WC & Pan Connectors
- Wash Basin & Sink Bottle Traps & P-Traps
- Air Admittance Valves
- Aerator

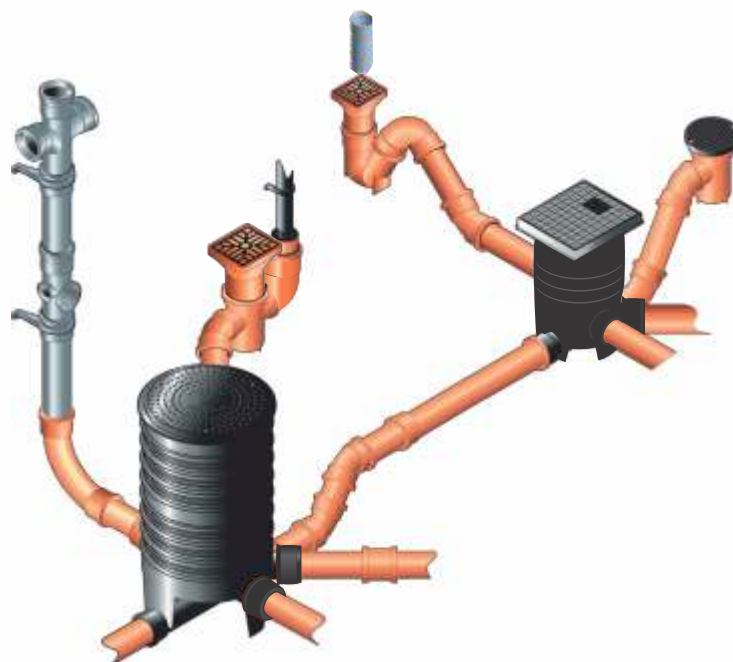
WHAT IS AJAY TERRALINE?

Ajay Terraline is a comprehensive high quality underground sewer and drainage system which is designed to carry soil, rainwater, waste and industrial effluents from the buildings to external sewers or drains. The systems overall flexibility facilitates its application for all domestic and commercial requirements for foul water and surface water drainage. Like all Ajay products, Terraline uses the latest plastics manufacturing technology to overcome the most complicated drainage layouts and to satisfy the requirements of today's installers. The Terraline underground drainage range represents the benchmark for quality supported with outstanding service levels and offers an economical, strong, impact resistant and easy to install system.

WHY AJAY TERRALINE?

Ajay Terraline Underground System has been designed to ensure it can be installed and tested with confidence. Reliability is inbuilt in all our product offerings for peace of mind of users. Our system offers:

- Novel foam core technology for superior performance piping
- Ringfit jointing system for leak free performance through factory fit DM-Seal
- Higher performance and durability
- Comprehensive range of system components available in 110mm, 160mm, and 200mm
- Entire system manufactured under constant quality control of all raw materials and ready products
- Support through extensive technical experience
- Fully compatible with Ajay Drainline system
- Entire plumbing and drainage both for internal and external from one source
- Superior fit and finish
- High-tech machines and compliance to top manufacturing and product standards



Features And Benefits

- Freedom from leakage
- Long life
- Anti-rodent
- Chemical resistance (from pH=2 to pH=12)
- Easy transportation, light in weight and easy to handle
- Fast and easy installation, even in wet conditions
- Good flexibility to accommodate normal ground movement
- Resistance to abrasion, smooth bore pipe with longer intervals between joints reduces the risk of blockage
- Resistance to high temperatures (40°C @ constant flow and 60°C @ short-term flow)
- Good Impact resistance
- Guaranteed stiffness
- Resistant to microbial attacks
- Factory-fit Injection molded DM-Seal
- Low coefficient of hydraulic roughness for smooth flow
- Full range of fittings and accessories

Applications

Our comprehensive ranges of underground drainage products are suitable for commercial, industrial, housing and governmental developments. Terraline system is designed for gravity conveyance of

- Rainwater
- Drainage
- Wastewater
- Industrial effluents
- Protective pipe for electricity supply and telecommunication cables



TERRALINE FOAM CORE PIPES

What is Foam Core Technology

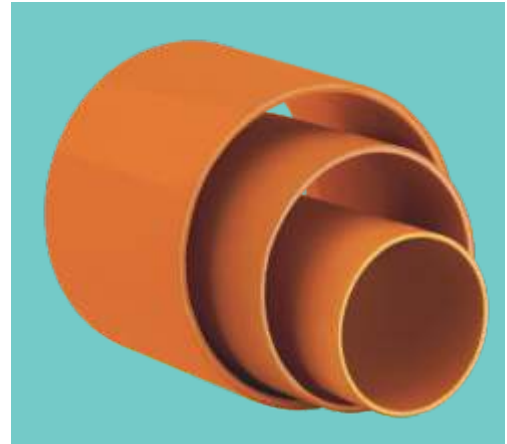
Manufactured using the latest tri-extrusion techniques which produces a three layer pipe with inside and outside solid UPVC layers and middle layer consisting of foamed PVC. This combination produces a pipe that is 25% lighter than standard UPVC pipe and at the same time this structure allows achieving superior ring stiffness with saving in raw materials for faster and easier handling and installation.

Unplasticised polyvinyl chloride (UPVC) allows better hardness and stiffness of the product and reduces the risk of leaching of harmful constituents into the water.

The unique characteristic of the structure also guarantees:

- High ring elasticity
- Higher resistance to dynamic and static loads.
- Light weight and strong
- Better thermal insulation properties
- Vibration and noise damping

Color: Terracotta (RAL 8023)

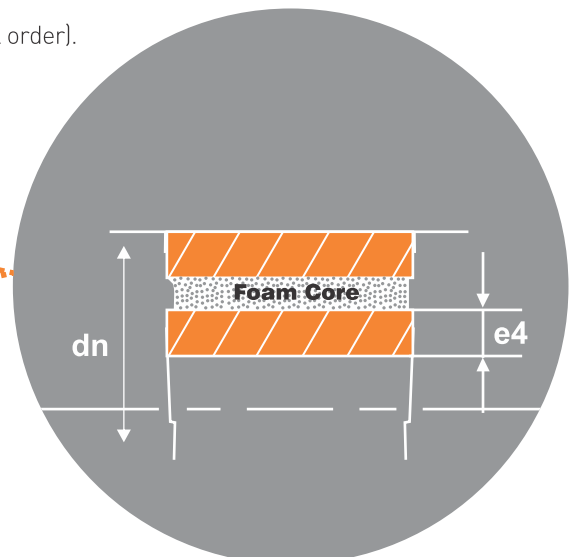
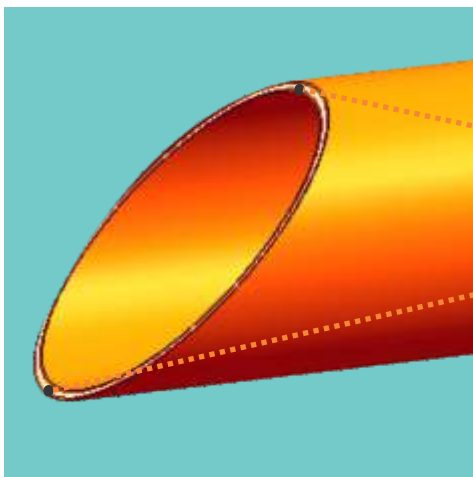


Standard

Type of Pipe	Standard	Sizes Available	Class		
			SN2 (SDR51)	SN4 (SDR41)	SN8 (SDR34)
Ring Fit & Solvent Fit	IS 16098 (Part-1): 2013	110mm		Available	Available
		160mm	Available	Available	Available
		200mm	Available	Available	Available
		250mm	Available	Available	Available
		315mm	Available	Available	Available

NOTES

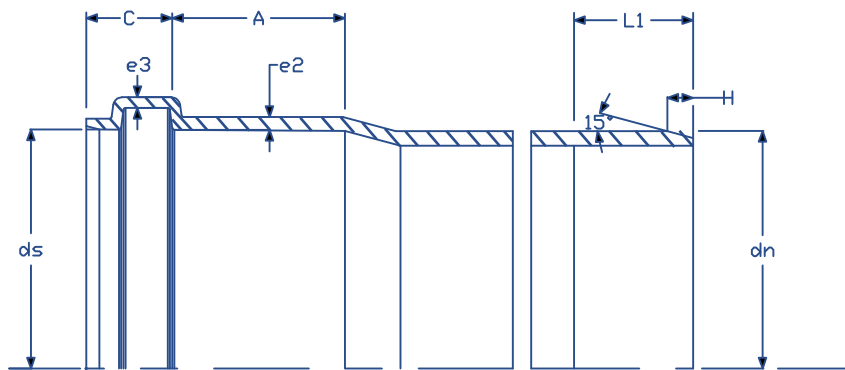
- Pipe available with 3mtr. & 6mtr. Length.
- Pipe available with Ring Fit/Solvent Fit socket on single side. (Except 250mm and 315mm, which is available only with solvent fit socket)
- Pipe available with Ring Fit/Solvent Fit socket on double side (against special order).



TECHNICAL SPECIFICATIONS

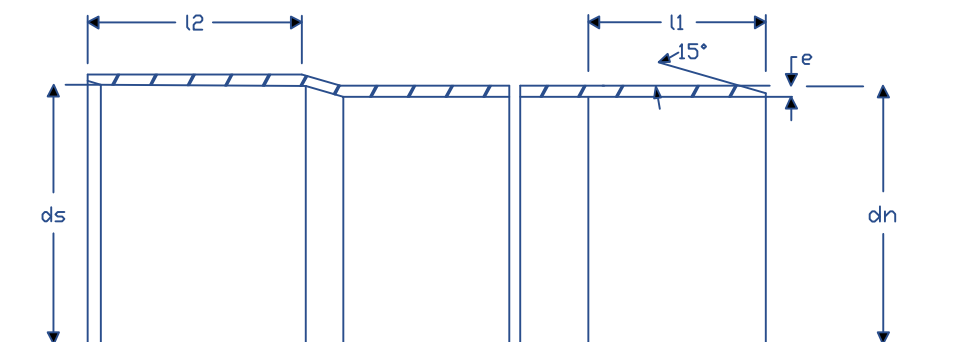
Dimension Detail (Table No.1)

Nominal Outside Diameter (DN)	Mean Outside Diameter		Outside Diameter at Any Point		Wall Thickness Of Inner Layer (e4 Min.)	Wall Thickness of Pipe (e Min.)		
	Min.	Max.	Min.	Max.		SN2 (SDR 51)	SN4 (SDR 41)	SN8 (SDR 34)
110	110.0	110.4	108.6	111.4	0.4		2.7	3.2
160	160.0	160.5	158.0	162.0	0.5	3.2	4.0	4.7
200	200.0	200.6	197.6	202.4	0.6	3.9	4.9	5.9
250	250.0	250.8	247.0	253.0	0.7	4.9	6.2	7.3
315	315.0	316.0	311.2	318.8	0.8	6.2	7.7	9.2



Detail of Ring-fit Socket (RF) & Spigot End (Table No.2)

Nominal Outside Diameter (DN)	Socket			Spigot	
	ds (min.)	A (min.)	C (max.)	L1 (min.)	H (approx.)
110	110.4	32	26	60	6
160	160.5	42	32	81	7
200	200.6	50	40	99	9



Detail of Solvent-fit Socket (SF) & Spigot End (Table No.3)

Nominal Outside Diameter (DN)	Socket			Spigot	
	ds (min.)	ds (max.)	L2 (min.)	L1 (min.)	H (approx.)
110	110.1	110.4	61.0	71	6
160	160.2	160.4	86.0	96	7
200	200.3	200.6	106.0	116	9
250	250.4	250.8	131.0	141	10
315	315.4	316.0	163.5	193	12

TERRALINE FITTINGS

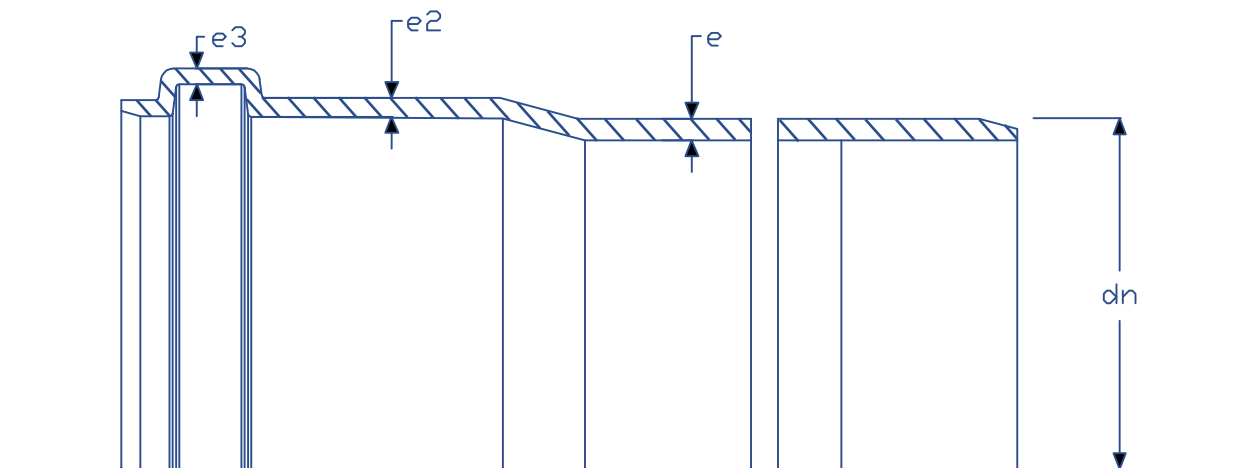
Ajay Terraline offers one of the most comprehensive range of fittings in both solvent-fit and Ring-fit options. These fittings are manufactured from high strength UPVC Compounds using "Granule Technology" for higher strength. These fittings comply to international standards and are tested to surpass the requirements of the relevant standards.

Ajay Terraline fittings have exceptional corrosion resistance, are considerably faster and easier to install and offer considerable cost savings in labour and material.



Standard

Type of Fitting	Standard	Sizes Available	Class
Ring Fit & Solvent Fit	BS EN 1401-1 : 2009	110, 160, 200, 250, 315	SN4 (SDR41)



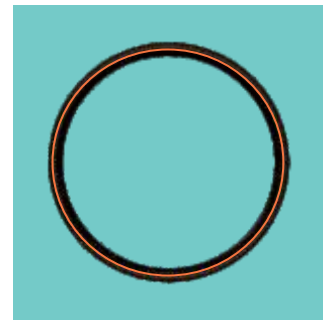
Dimension of Ring-fit (RF) Fittings (Table No.4)

Nominal Outside Diameter (DN)	Socket		Spigot	
	e (min.)	e (max.)	e2 (min.)	e3 (min.)
110	3.2	3.8	2.9	2.4
160	4.0	4.6	3.6	3.0
200	4.9	5.6	4.4	3.7

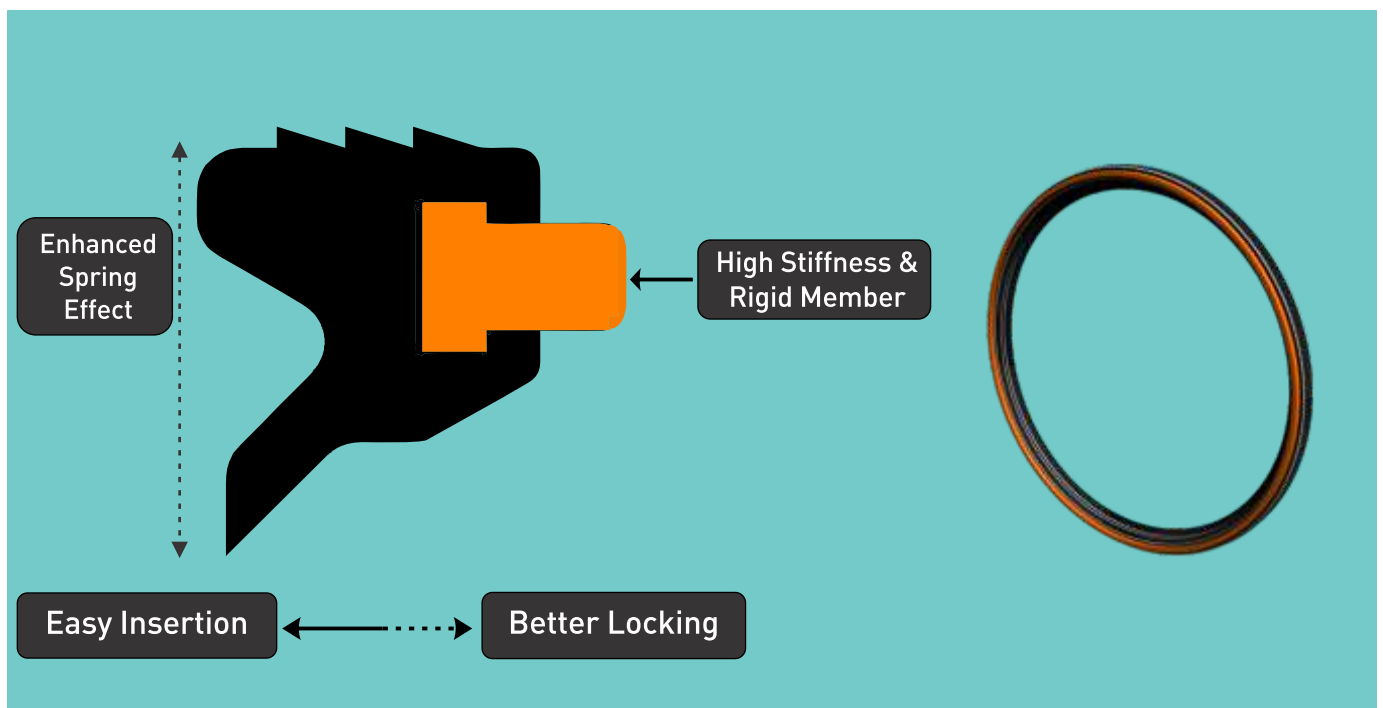
Note: Dimension of Solvent-fit (SF) Fittings : Kindly refer Table No.3.

DM-Seal (Dual Material)

- Manufactured using latest technology new generation thermoplastic rubbers co-molded on high strength polyolefin
- Gives long life and optimal seal performance
- 100% leak-proof jointing
- Installer friendly, saves time
- High Pressure withstanding capability joints (Factory tested at over 8 Bars pressure)
- Material confirms with european performance requirements:
 - EN 681-2: Material requirements for pipe joint seals used in water and drainage applications
 - KIWA
 - High resistance against oils and chemicals (normally used in households)
 - Resistance to UV attack and ozone
- Seal-in-place
 - Facilitates factory fitment and supply of pre-fit seals in all pipes and fittings
 - Does not allow seal to fall out during transportation and handling
 - Does not allow seal to push out of groove during jointing



Engineered for Superior Performance



TESTING & QUALITY

Ajay guarantees to all designers, engineers, architects, builders, clients, control authorities and others that the Terraline product which they use meets the specific application and possesses all the qualities which allow unhindered, flawless and long performance. The following tests are performed to ensure consistent high quality of our products:

- Ring stiffness
- Ring flexibility
- Creep ratio
- Tolerances on pipe connections
- Impact resistance
- Water tightness of connections with spigot socket
- Resistance to high temperatures
- Longitudinal shrinking

Ring Stiffness

The Ring Stiffness of Pipes is one of the important indicators for the evaluation of Pipe stability. Nominal ring stiffness of pipe and fitting is expressed as kN/m^2 .

Test Procedure

The ring stiffness is defined by measuring of strength and deformation under a constant deformation rate. Therefore, a pipe segment is used instead on a complete pipe. The pipe segment is deformed vertically under a constant rate. The deformation of a segment corresponds to the amount of deformation of a complete pipe (3%).

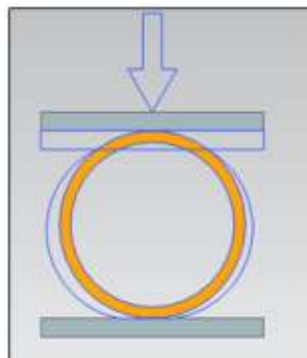
The test piece is said to have passed the test if:

- a) There is no cracking of the wall or liner
- b) There is no wall delamination
- c) Test piece not ruptured and there is no mechanical failure
- d) There is no change in direction of curvature of the cross-section of the test piece.

Table No. 5

Ring Stiffness of Pipe

Stiffness Class	Ring Stiffness (kN/m^2)
SN2	≥ 2
SN4	≥ 4
SN8	≥ 8



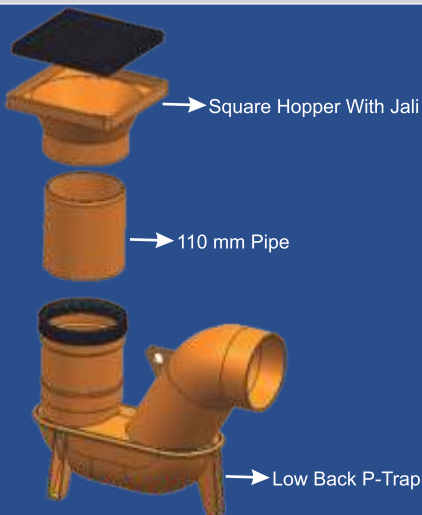
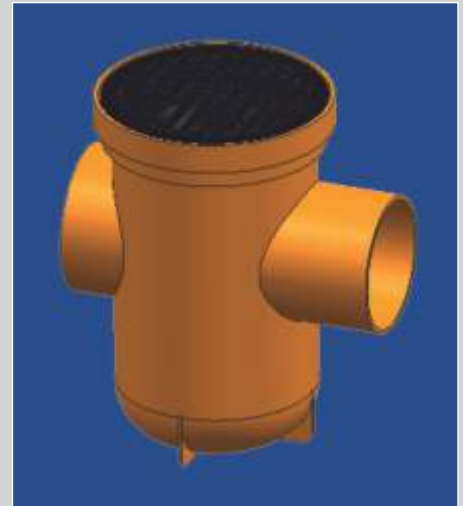
GULLY AND TRAPS

They are used to connect drainage pipes to the underground drainage system and stops foul air escaping from drainage.

Bottle Gully

(65mm Water Seal)

Bottle Gullies can be used to remove surface water from paved pedestrian areas and are designed to accept waste water from kitchens, utility rooms, ground floor bathrooms or rainwater from paved areas or roofs. They have a back inlet which can be connected to waste water or rainwater pipes. The advantage of Bottle gully is that it provides better access for cleaning and rodding of the outlet pipe. Bottle Gully comes with a round grid (Jali) at the top for surface water removal. The grid includes a provision to cut holes for pipe insertion.



Low Height P-Trap

(60mm Water seal)

Have a vertical inlet (110mm) and a horizontal outlet (110mm). Can be assembled with an optional square hopper for surface water removal. The hopper may be solvent weld with a 110mm piece of pipe and inserted into the P-trap to achieve the desired height as per the ground conditions.

Optional: Square Hoppers are supplied with open grids (Jali) which snaps into place

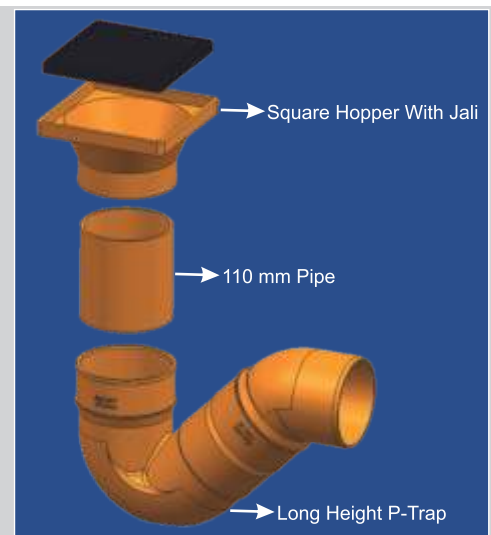
Long Height P-Trap

(50 mm Water seal)

Have a vertical inlet (110mm) and a horizontal outlet (110mm).

Can be assembled with an optional square hopper for surface water removal. The hopper may be solvent weld with a 110mm piece of pipe and inserted into the P-trap to achieve the desired height as per the ground conditions.

Optional: Square Hoppers are supplied with open grids (Jali) which snaps into place



NON-RETURN VALVES

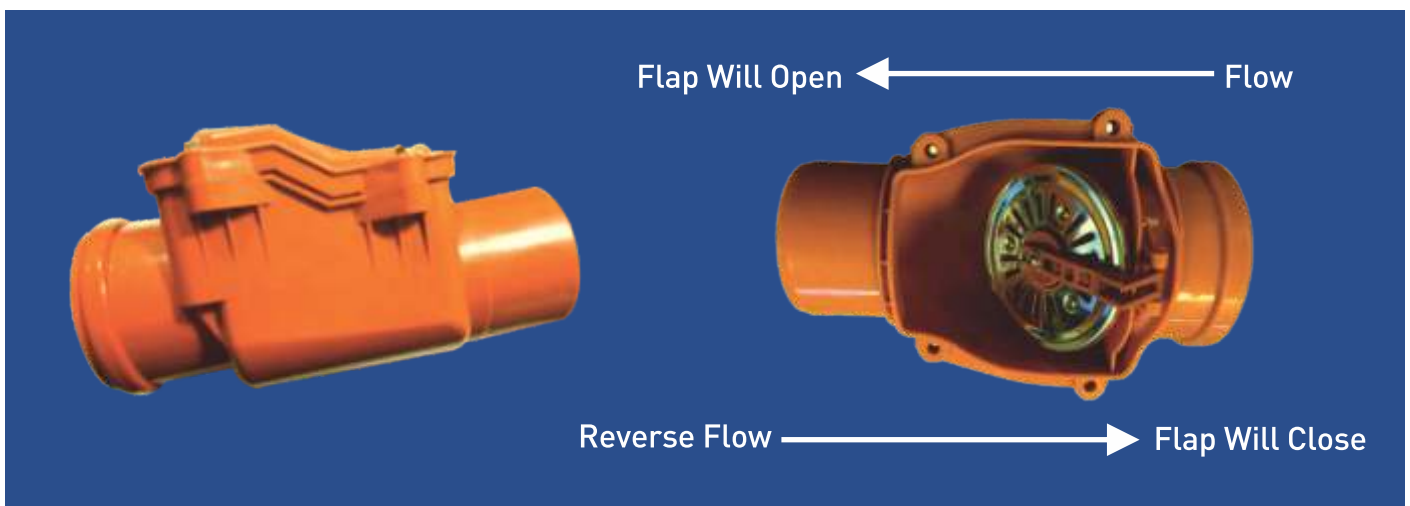
This is a simple and effective device that reduces the risk of damage to the property due to flooding that may be caused due to surface water and foul water flow back through the underground drainage system. It is made using high quality UPVC materials and is designed in accordance to European standards. The use of a non-return valve outside the building prevents any external drainage issues backing up into the property.

Should be Installed within an access point between the facility to be protected and the main sewer, any flow back will automatically shut the valve.

Should be Installed in pumped drainage systems, for example, where effluent water is being pumped from a basement, the non-return valve will help protect the system in the event of a power failure.

Integral closing handle allows valve to be shut manually for easy system maintenance or cleaning.

A Non - Return Valve also helps in protection against rodents which should be considered especially for refurbishment projects.

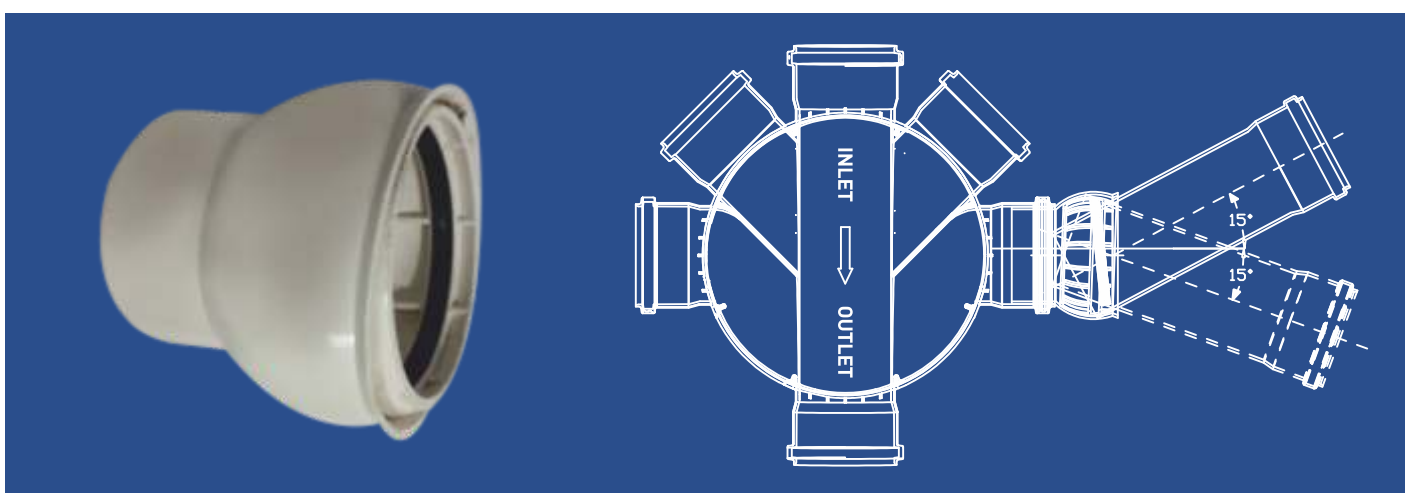


SWIVEL ADAPTOR

Swivel Adaptor is a device that facilitates jointing of pipes with the inspection chambers in situations where it may not be possible to perfectly align the pipe with one of the inlets. The device comes with preinstalled DM-seal for a leak-free Ring-fit joint.

Material of construction: PVC,

Swivel Angle: 15° (in each direction)

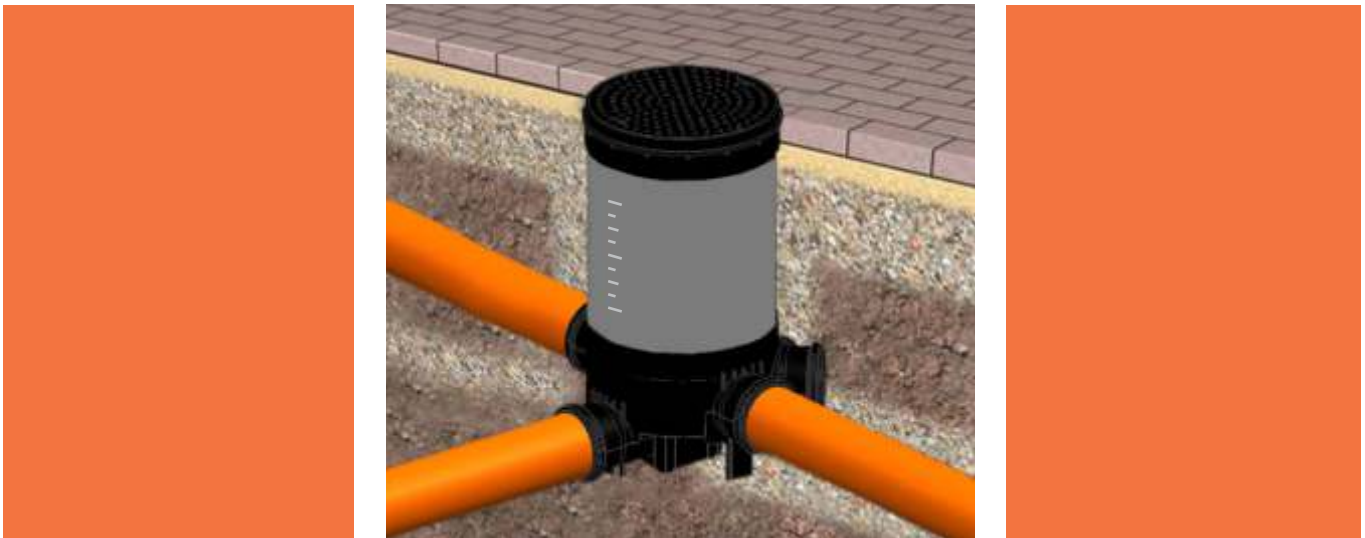


INSPECTION AND SHALLOW ACCESS CHAMBER

Inspection chamber is an innovative product that provides access to sewage lines for inspection and cleaning. Molded inspection chambers offer huge convenience to users and installers by eliminating the need for on-site fabrication of expensive, time and labor intensive brick and concrete chambers which are also prone to seepages. They are used where

- Many sewage lines intersect at different angles
- Changes in direction
- Provisions for new connections
- Separation of public and private sewer lines

These inspection chambers come with Riser pieces which can be attached directly to the chamber base for raising the height. These riser pieces come with pre-mounted rubber seals for leak-proofing. Different Riser pieces can be attached to achieve the required height upto the desired level. Frames and frame-covers are available to complete the system.



Features and Benefits

- Easier, quick, more economical alternative to traditionally constructed manholes
- Reliable, quick and easy to connection with ring seal sockets and a dry joint base to riser assembly
- Injection molded in strong plastic materials with added diameter strengthening ribs offering high resistance against impact damage.
- Anti-rodent material for protection against rodent attack
- Half Channels for alignment with Inlet pipes for improved flow
- Multi-directional inlet options
- Removable plugs
- Integral support feet make level bedding simple.
- Self-Cleaning
- Resistant to most household chemicals
- Very Long life

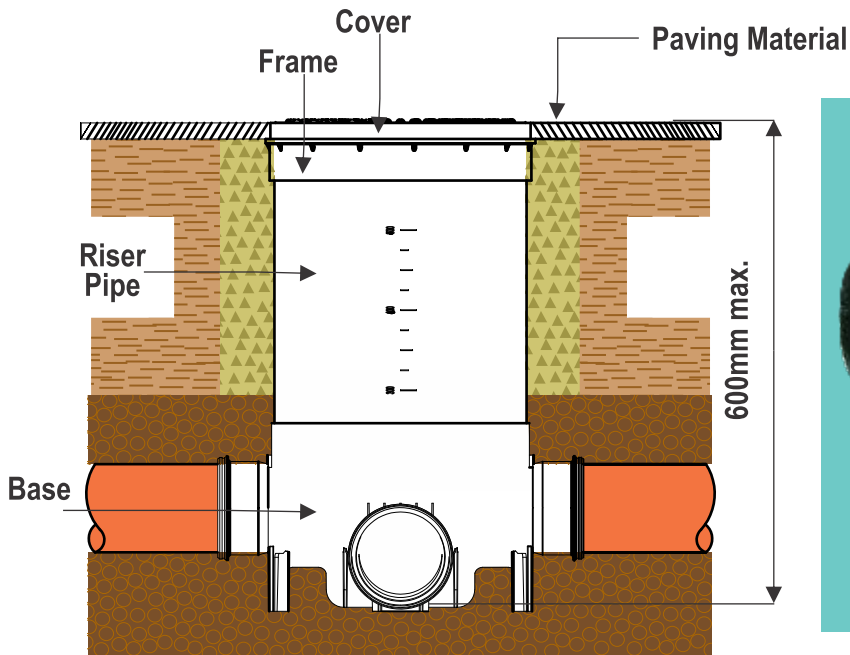
315 MM INSPECTION CHAMBER

Manufactured in tough polypropylene material, they are impact resistant and are simple and straight forward to install.

The 315mm chamber base unit is comprised of four swept inlets at 90° (2 nos.) and 45° (2 nos.) with a 110mm in/outlet and a built-in flow profile for efficient flow performance.

Applications

For above ground access and maintenance inspection of buried pipework up to 0.6 meters deep



315 Chamber Base

Riser shaft fitting area diameter (D1): 315mm

1 X Inlet: 110mm

2 X 45° Inlet: 110mm

2 X 90° Inlet: 110mm

1 X Outlet: 110mm

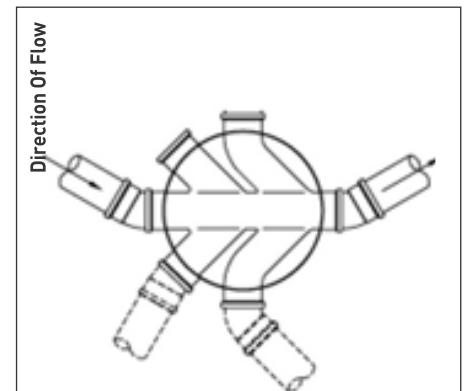
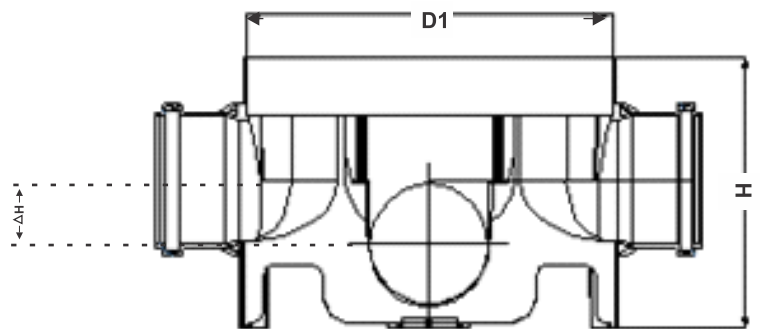
Height of bases (H): 235mm

Maximum installation depth: 0.6m

End Plugs are available to plug off the unused inlets.

Side Inlet branch connections enter the inspection chamber approx. 55mm (ΔH) above the invert of the main channel.

Important Note: Main channel of the inspection chamber must be used. Where chamber is being used for change of direction, bends of 45Deg may be used for change in direction.



315 Riser Pipe

This forms the shaft of the inspection chamber and connects the chamber base with the cover frame. The pipe comes with a rubber seal mounted for leak proofing. Simply insert the pipe into the chamber base for a leak free connection.

Made of strong UPVC material

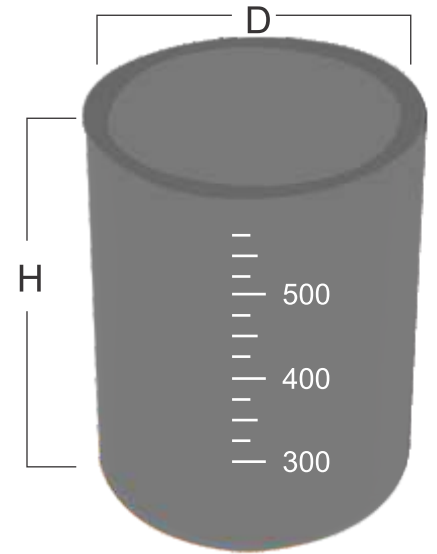
Color: Gray

Based on the maximum depth (0.6mtr) the Riser pipe is supplied with a pre-printed scale. It may be cut at the desired point to achieve the desired height.

Dimension Detail:

Riser shaft outside diameter (D) – 315mm

Riser shaft height (H)- 390mm



Riser Pipe

315 mm Frame And Cover

Class – A

Type: Circular

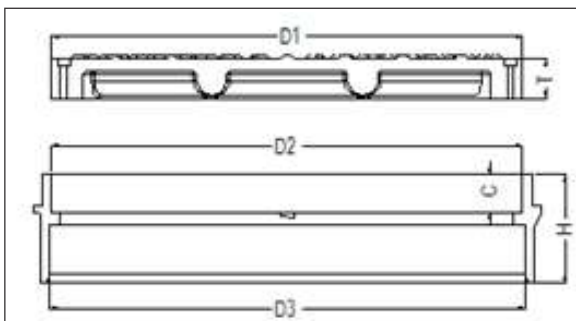
Maximum Load: 15 KN (1500Kgs.)

- Lightweight chamber cover and frame made from toughened polypropylene for easy manual handling
- Captive screw locking system
- Can be fixed to riser system for complete security

Application:

For non-loaded applications (i.e. Pedestrian Areas Only) it may be directly mounted on the top of the riser pipe

Loaded application up-to 1500 Kgs (1.5 MT), frame and cover must be mounted on concrete collar.



Size	D1	D2	D3	T	C	H
315mm	311	312	315	26	25	72

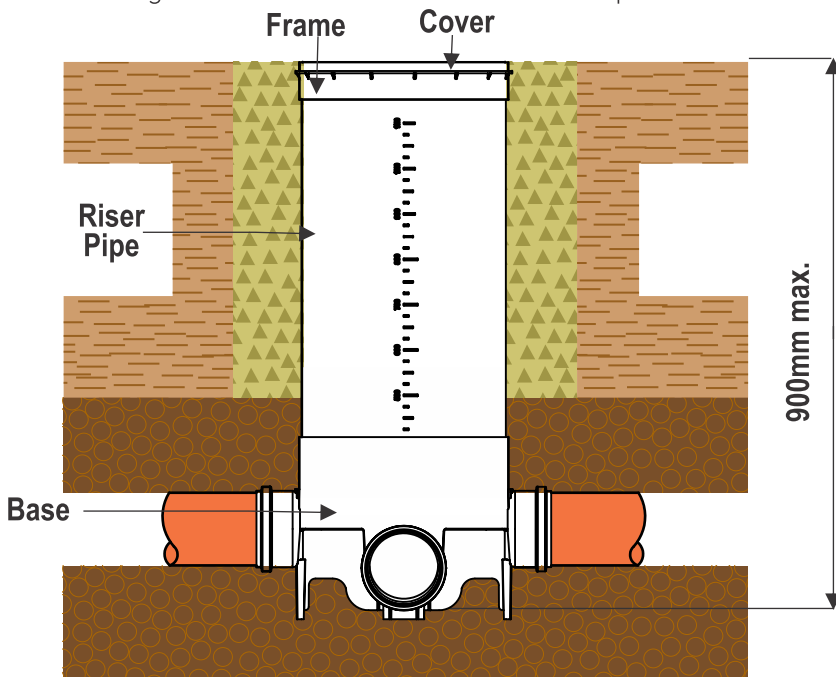
450 MM INSPECTION CHAMBER

Manufactured in tough polypropylene material, they are impact resistant and are simple and straight forward to install.

The 450mm chamber base unit is comprised of two swept inlets at 90° of 160 mm and two swept inlets at 45° with a 110mm along with 160mm each straight inlet and outlet. The chamber has a built-in fall for efficient flow performance.

Applications

For above ground access and maintenance inspection of buried pipework up to 0.9mtr deep.



450 Chamber Base

Riser shaft fitting area diameter (D1): 450mm

1 X Inlet: 160mm

2 X 45° Inlets: 110mm

2 X 90° Inlets: 160mm

1 X Outlet: 160mm

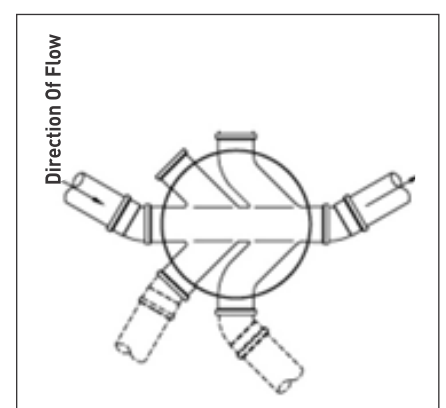
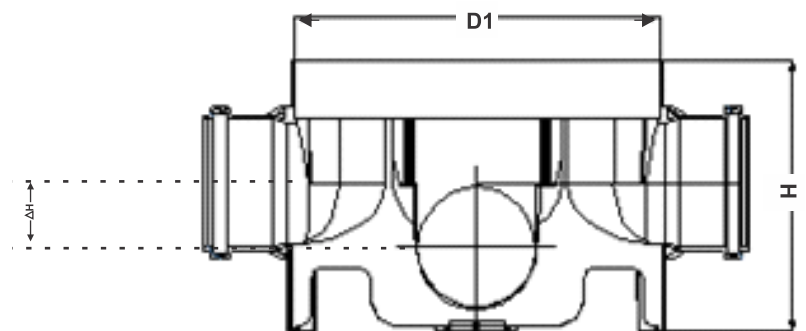
Height of bases (H): 400mm

Maximum installation depth: 0.9mtr

110mm End Plugs & 160mm End cap (2nos.) are available to plug off the unused inlets.

110mm Side Inlet branch connections enter the inspection chamber approx. 50mm (ΔH) above the invert of the main channel & 160mm side inlet branch connections enter the inspection chamber approx 75mm . Above the main channel.

Important Note: Main channel of the inspection chamber must be used. Where chamber is being used for change of direction, bends of 45Deg may be used for change in direction.



450 Riser Pipe

This forms the shaft of the inspection chamber and connects the chamber base with the cover frame. The pipe comes with a rubber seal mounted for leak proofing. Simply insert the pipe into the chamber base for a leak free connection. It may be cut at the desired point to achieve the desired height.

Made of strong UPVC material

Color: Gray

Based on the maximum depth to be achieved Riser pipe is supplied in two heights and comes with a pre-printed scale.

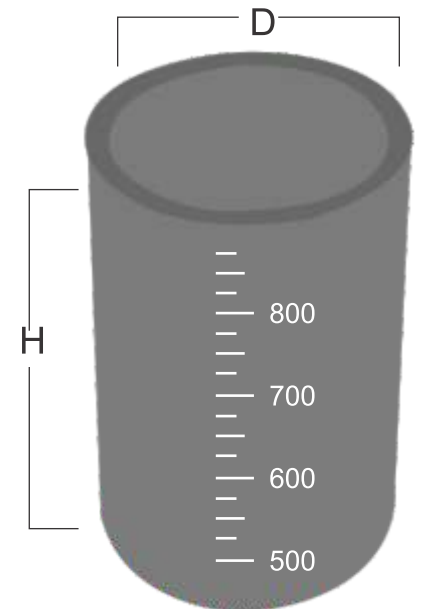
Dimension Detail:

Riser shaft outside diameter (D) – 450mm

Riser shaft height (H) -

(1) 310 mm for upto 600mm total height

(2) 610 mm for upto 900mm total height



Riser Pipe

450 mm Frame and Cover

Class – A

Type: Circular

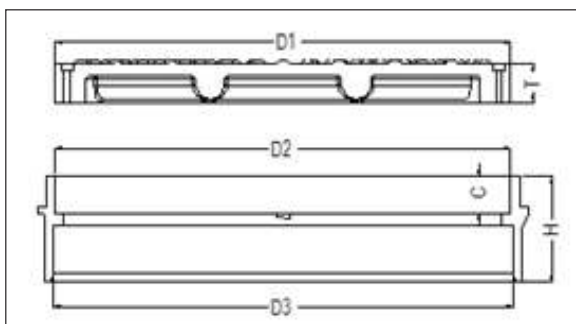
Maximum Load: 15KN (1500Kgs.)

Features & Benefits:

- Lightweight chamber cover and frame made from toughened polypropylene for easy manual handling
- Captive screw locking system
- Can be fixed to riser system for complete security

Application:

For non-loaded applications (Pedestrian Areas Only) it may be directly mounted on the top of the riser pipe
 Loaded application up-to 1500 Kgs (1.5 MT), frame and cover must be mounted on concrete collar.




Size	D1	D2	D3	T	C	H
450mm	446	447	450	25	24	82

UDS PIPE


RING FIT TYPE

Product name	Item Code	Size	
		Inch	MM

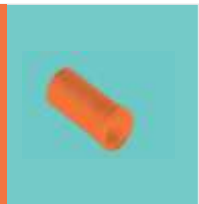
SINGLE SOCKET RING FIT SN-2 UDS PIPE X 3MT. LONG

	FGRSSSN21603	6"	160
	FGRSSSN22003	8"	200


SINGLE SOCKET RING FIT SN-2 UDS PIPE X 6MT. LONG

	FGRSSSN21606	6"	160
	FGRSSSN22006	8"	200


SINGLE SOCKET RING FIT SN-4 UDS PIPE X 3MT. LONG

	FGRSSSN41103	4"	110
	FGRSSSN41603	6"	160
	FGRSSSN42003	8"	200


SINGLE SOCKET RING FIT SN-4 UDS PIPE X 6MT. LONG

	FGRSSSN41106	4"	110
	FGRSSSN41606	6"	160
	FGRSSSN42006	8"	200

SINGLE SOCKET RING FIT SN-8 UDS PIPE X 3MT. LONG

	FGRSSSN81103	4"	110
	FGRSSSN81603	6"	160
	FGRSSSN82003	8"	200


SINGLE SOCKET RING FIT SN-8 UDS PIPE X 6MT. LONG

	FGRSSSN81106	4"	110
	FGRSSSN81606	6"	160
	FGRSSSN82006	8"	200


SOLVENT FIT TYPE

Product name	Item Code	Size	
		Inch	MM

SINGLE SOCKET SOLVENT FIT SN-2 UDS PIPE X 3MT. LONG

	FGSSSN21603	6"	160
	FGSSSN22003	8"	200
	FGSSSN22503	10"	250
	FGSSSN23153	12"	315

SINGLE SOCKET SOLVENT FIT SN-2 UDS PIPE X 6MT. LONG

	FGSSSN21606	6"	160
	FGSSSN22006	8"	200
	FGSSSN22506	10"	250
	FGSSSN23156	12"	315

SINGLE SOCKET SOLVENT FIT SN-4 UDS PIPE X 3MT. LONG

	FGSSSN41103	4"	110
	FGSSSN41603	6"	160
	FGSSSN42003	8"	200
	FGSSSN42503	10"	250
	FGSSSN43153	12"	315

SINGLE SOCKET SOLVENT FIT SN-4 UDS PIPE X 6MT. LONG

	FGSSSN41106	4"	110
	FGSSSN41606	6"	160
	FGSSSN42006	8"	200
	FGSSSN42506	10"	250
	FGSSSN43156	12"	315

SINGLE SOCKET SOLVENT FIT SN-8 UDS PIPE X 3MT. LONG











	FGSSSN81103	4"	110
	FGSSSN81603	6"	160
	FGSSSN82003	8"	200
	FGSSSN82503	10"	250
	FGSSSN83153	12"	315

SINGLE SOCKET SOLVENT FIT SN-8 UDS PIPE X 6MT. LONG





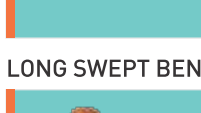
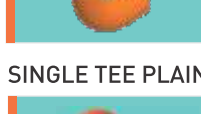
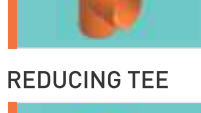


	FGSSSN81106	4"	110
	FGSSSN81606	6"	160
	FGSSSN82006	8"	200
	FGSSSN82506	10"	250
	FGSSSN83156	12"	315

UDS FITTINGS

RING FIT TYPE

Product name	Item Code	Size	
		Inch	MM
PLAIN BEND 45°			
	FGRFBEU11045	4"	110
	FGRFBEU16045	6"	160
	TGRFBEU20045	8"	200
PLAIN BEND 87.5°			
	FGRFBEU11087	4"	110
	FGRFBEU16087	6"	160
	TGRFBEU20087	8"	200
ECC REDUCING COUPLER			
	FGRRCU110160	4"X6"	110 X 160
	TGRRCU110200	4"X8"	110 X 200
	TGRRCU160200	6"X8"	160 X 200
COUPLER			
	FGRFCOPU0110	4"	110
	FGRFCOPU0160	6"	160
	TGRFCOPU0200	8"	200
LONG SWEPT BEND 87.5° PLAIN			
	FGRFSBU11087	4"	110
	FGRFSBU16087	6"	160
	FGRFSBU20087	8"	200
SINGLE TEE PLAIN			
	FGRFSTU00110	4"	110
	FGRFSTU00160	6"	160
	TGRFSTU00200	8"	200
REDUCING TEE			
	FGRRTU160110	6"X4"	160 X110
	TGRRTU200110	8"X4"	200X110
	TGRRTU200160	8"X6"	200X160
SWEPT TEE			
	FGRFSTU11087	4"	110
SINGLE WYE PLAIN			
	FGRSWYU00110	4"	110
	TGRSWYU00160	6"	160
	TGRSWYU00200	8"	200
REDUCING WYE			
	TGRRYU160110	6"X4"	160 X 110
	TGRRYU200110	8"X4"	200 X 110
	TGRRYU200160	8"X6"	200 X 160

SOLVENT FIT TYPE

Product name	Item Code	Size	
		Inch	MM
PLAIN BEND 45°			
	FGSFBEU11045	4"	110
	FGSFBEU16045	6"	160
PLAIN BEND 87.5°			
	FGSFBEU11087	4"	110
	FGSFBEU16087	6"	160
ECC REDUCING COUPLER			
	FGSRCU110160	4"X6"	110 X 160
COUPLER			
	FGSFCOPU0110	4"	110
	FGSFCOPU0160	6"	160
	FGSFCOPU0200	8"	200
	#FGSFCOPU0250	10"	250
	#FGSFCOPU0315	12"	315
LONG SWEPT BEND 87.5° PLAIN			
	FGSFSBU11087	4"	110
	FGSFSBU16087	6"	160
	FGSFSBU20087	8"	200
SINGLE TEE PLAIN			
	FGSFSTU00110	4"	110
	FGSFSTU00160	6"	160
REDUCING TEE			
	FGSRTU160110	6"X4"	160 X 110
SWEPT TEE			
	FGSFSTU11087	4"	110
SINGLE WYE PLAIN			
	FGSSWYU00110	4"	110

#Fabricated.


TRAPS, VALVES & SWIVEL ADAPTER

Product name	Item Code	Size	
		Inch	MM

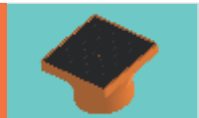
BOTTLE GULLY TRAP WITH ROUND JALI - DOUBLE SIDE

	TGBWJD160110	6" X 4" X 4"	160 X 110 X 110

LOW BACK P TRAP

	TGLOWBTRP110	4" X 4"	110 X 110

HOPPER WITH SQUARE JALI


	TGHPRSQJL110	4"	110

Product name	Item Code	Size	
		Inch	MM


LONG BODY P TRAP (WITH 50MM WATER SEAL)

	TGLBPTW50110	4" X 4"	110 X 110

NON-RETURN VALVE


	TGNONRVAL110	4"	110
	TGNONRVAL160	6"	160

SWIVEL ADAPTOR


	TGSWADPT110	4"	110
	TGSWADPT160	6"	160

INSPECTION CHAMBER & ACCESSORIES

INSPECTION CHAMBER (MULTI INLET TYPE)

	FGINCB315110	315 X 110
	FGINCB450110	450 X 160 X 110


FRAME WITH COVER SET (CIRCULAR) A-TYPE

	TGATFRCVR315	315
	TGATFRCVR450	450

UPVC RISER PIPE (WITH RUBBER RING)

	FGRSPP315390	315 X 390
	FGRSTP450310	450 X 310
	FGRSTP450610	450 X 610


END PLUG (FOR INSPECTION CHAMBER)

	FGSFENPLU110	110
	TGSFENPLU160	160

SOLVENT CEMENT AND LUBRICANTS

Product name	Item Code	ML
--------------	-----------	----

SOLVENT CEMENT (CAN WITH DAUBER)

	TGTRUSLCM100	100
	TGTRUSLCM500	500

Product name	Item Code	ML
--------------	-----------	----

LUBRICANTS (CAN)

	TGRLUB000100	100
	TGRLUB000250	250
	TGRLUB000500	500

JOINTING GUIDELINES FOR TERRALINE RING-FIT (RF) PIPES, FITTINGS & ACCESSORIES

- Cut pipe straight. Inspect the pipe end thoroughly after cutting & ensure that there is no crack at the mouth portion of the pipe. If crack noticed cut off a min. 25mm beyond the visible crack before proceeding.
- Chamfer the spigot end of pipe to 15 degrees and remove all burrs. Burrs will score the channel & obstruct the flow of water discharge & damage the DM seal during installation.
- Use a clean & dry cloth to wipe the dirt, rain water & moisture on the surface of the pipe. Also clean the dirt from inside the socket portion of the fitting & DM seal.
- Check the socket end for DM seal. Ensure that the arrow mark on DM seal is towards the outside of socket
- Apply Ajay Drainline make lubricant on the spigot end of the pipe
- Immediately insert pipe into the fitting socket. Rotate the pipe slightly while inserting. Pull out pipe 10mm away from socket. This gap will allow the pipe to expand without distorting the pipe-work joint.



JOINTING GUIDELINES FOR TERRALINE SOLVENT-FIT (SF) PIPE, FITTINGS AND ACCESSORIES

- Cut pipe straight. Inspect the pipe end thoroughly after cutting & ensure that there is no crack at the mouth portion of the pipe. If crack noticed cut off a min. 25mm beyond the visible crack before proceeding.
- Chamfer the spigot end of pipe to 15 degrees and remove all burrs. Burrs will score the channel & obstruct the flow of water discharge & damage the DM seal during installation.
- Use a clean & dry cloth to wipe the dirt, rain water & moisture on the surface of the pipe. Also clean the dirt from inside the socket portion of the fitting
- Check dry fitment of the pipe. It should easily go 2/3 of the socket portion of the fitting.
- Apply thin coat of Ajay Terraline regular-bodied solvent cement into the fitting socket & on the spigot end of the pipe. Do not puddle cement in the socket.
- Insert pipe into the socket immediately and rotate 90 degree while it is in wet condition. Make sure pipe goes all the way to the bottom of the fitting.
- Hold pipe and fitting together (30sec approx.) to make sure pipe does not push out.
- Wipe of excess cement with clean & dry cloth & allow it for curing.



LAYING OF PIPES

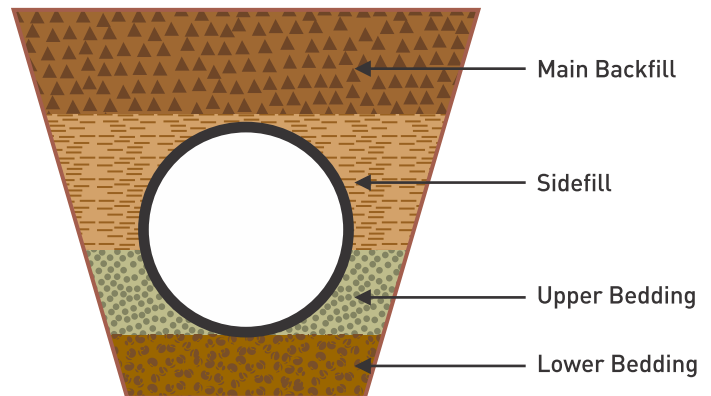
Proper care should be taken while laying of pipes inside trenches.

Width of the Trench is recommended to be min. 300mm more than the pipe OD.

The density of the backfill material, the width of the trenches, height of the trench are amongst factors that affect the load applicable on the pipe.

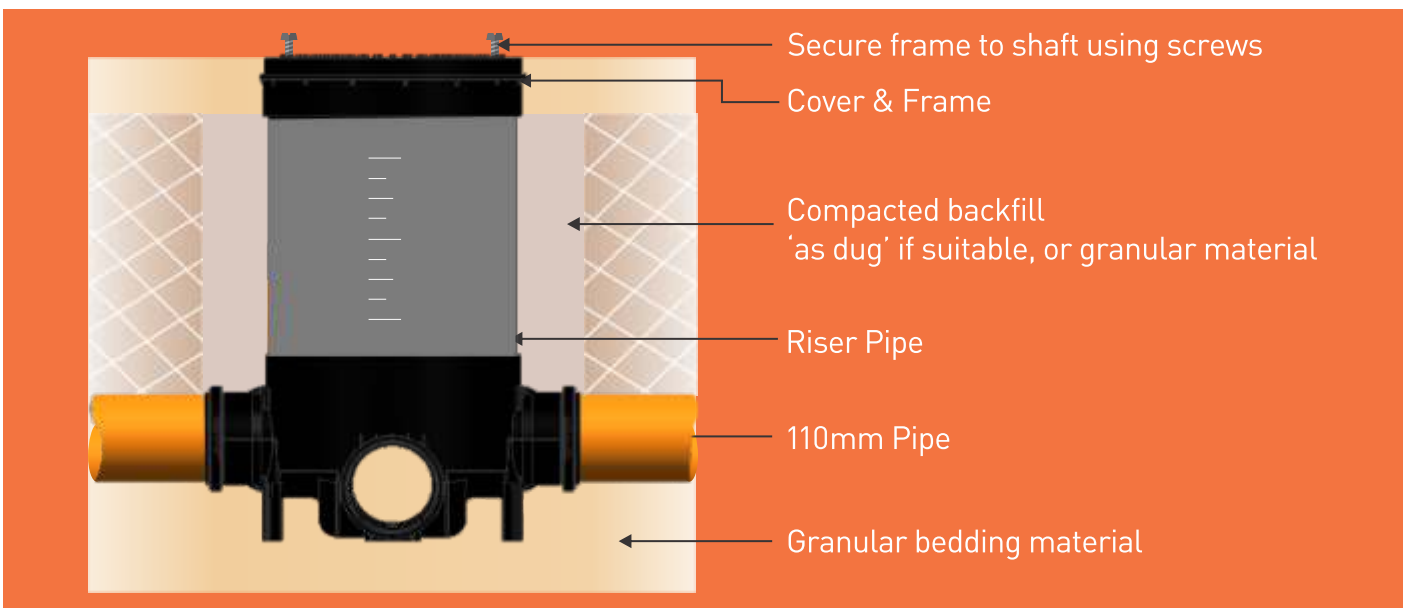
Type of bedding and backfill material should be free from sharp edges and must be carefully chosen so as not to damage the pipes.

As far as possible, avoid laying pipes below buildings.



INSTALLATION GUIDELINES FOR TERRALINE INSPECTION CHAMBERS

(All elements are light weight: may be handled/installed by a single person.)



Preparation

Prepare and compact 100mm regulating bed of 'as dug' or granular material in trench bottom

Positioning/Connection

Position Base on regulating bed. Check outlet is facing in the correct direction

Ensure all inlets/outlet are free from dirt or grit

Remove profile plug(s) for the side outlets required. Ensure the plugs are in place for inlets not in use.

Use RF pipe jointing procedure to assemble with the pipe lines.

NOTE: The main through channel MUST be used. Bends up to 45° may be used on any inlet or outlet.

Shaft

Cut Riser Pipe to approximate required height, using a fine-toothed saw on the side opposite to where rubber ring is mounted.

Shaft Assembly

Push Riser Pipe inside the chamber base with the rubber ring side till the rubber ring enters the base completely and pipe comes to rest at the support ribs provided inside the chamber.

Backfill Trench

Before starting backfill, cover top of Riser Pipe to prevent ingress of dirt or grit. Use suitable granular material, similar to bedding material. Avoid knocking shaft during backfilling – and keep free of debris Backfill to formation level. Then trim Riser Pipe to required height using fine-toothed saw.

NOTE: If finished ground level is not yet known, leave Riser Pipe protruding out of surface and keep open end covered until final completion.

Cover And Frame Installation

For green areas and pedestrian areas NOT subject to vehicle loading.

Trim Riser Pipe section at last stage of construction. Ensure the cut is square and unit is at correct height.

Prepare Cover and Frame for installation onto the Riser Pipe.

Position the frame socket over the riser pipe and push-fit till the frame collar comes to rest on the pipe end

Fix frame to pipe using self-tapping screws

TRANSPORTATION, LOADING AND UNLOADING

Wrong transportation (as well as wrong storage) can lead to deformations or damages to the pipes, the fittings and the sealing rings which can create problems during laying and functioning of the mounted pipes

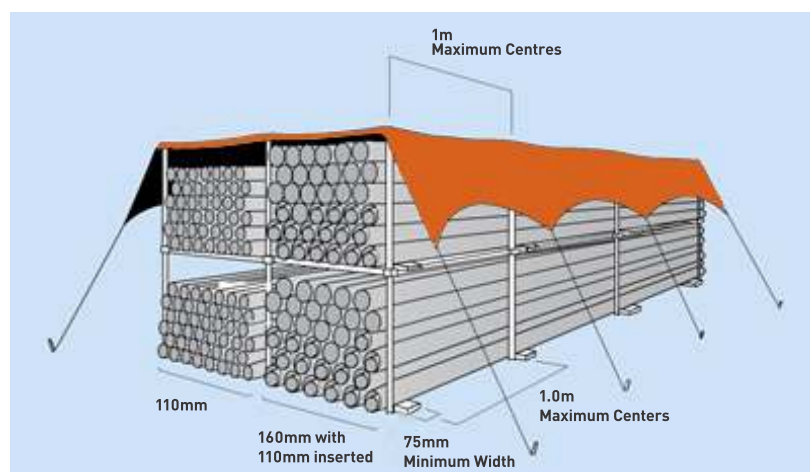
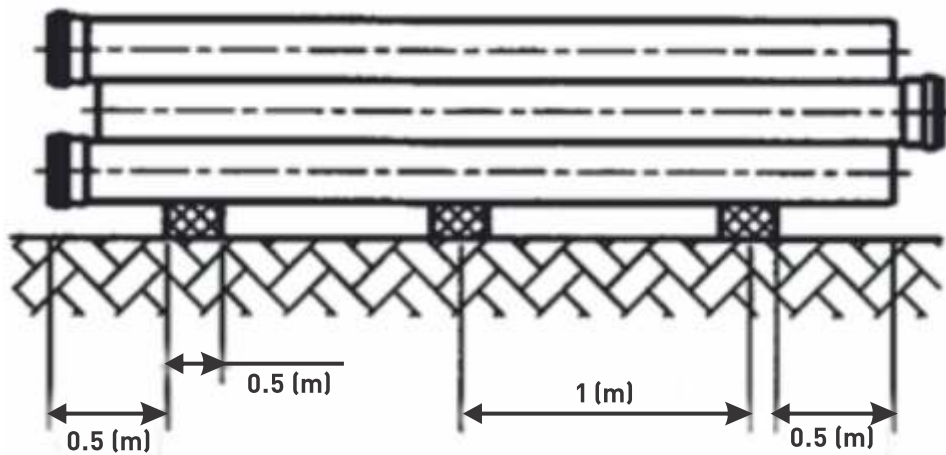
The pipes must be transported in vehicles with smooth clean load surface i.e. without unevenness or for example protruding nails. The pipes must lay with its whole length on the floor

Harsh lifting and dropping of the pipes must be avoided during loading and unloading.



STORAGE

- Store all materials in well-ventilated, shady conditions and do NOT expose to direct sunlight
- If stored in the open for long periods cover the stack with opaque sheeting to avoid discoloration of pipes and fittings.
- Stack pipe lengths: either on a flat base or on level ground or on 75mm x 75mm timber at 1.0m maximum centers. Provide side support with 75mm wide battens at 1m centers
- Maximum stack: 6 layers high.
- Ideally, stacks should contain one diameter pipe size only. Where this is not possible, stack largest diameter pipes at base of stack. Small pipes may be nested inside larger pipes.
- Keep fittings in original packaging until required for use
- Store solvent cement and cleaning fluid in a cool place



HANDLING

Take all reasonable care while handling pipes

Do not throw or drop pipes, or drag them along hard surfaces.

In case of mechanical handling, use protective slings and padded supports. Metal chains and hooks should not make direct contact with the pipe



Do's and Don't's

1. Pipes should be laid at a gradient so as to ensure a self-cleansing velocity.
2. Pipes to be sufficiently sized in order to ensure that maximum load can be carried.
3. Access to a drainage system should be included wherever there is a change in direction.
4. Length of branch drains to be kept to a minimum and all junctions to be made in the direction of flow.
5. Every part of the drainage system to be adequately supported.
6. Avoid passage of drains under buildings as far as possible.
7. Drains should be laid in a straight line between points where access is provided.
8. Drains should not be laid in close proximity to trees due to the possibility of root damage.
9. Above ground pipework should be correctly bracketed to hold the system securely in place. Vertically every 2 meters, horizontally every 1 meter. This will also assist expansion control.
10. All drainage systems require a vent to allow fresh air to be taken into the system to ensure a smooth running to the discharge.
11. It is important to allow for expansion in all plastic drainage systems. Push-fit joints should NOT be inserted to the full depth. Solvent weld systems should use expansion joints where required.
12. Apply water based paint to exposed piping.

AJAY TERRALINE PAN INDIA DISTRIBUTION

State	Current Address
Delhi & NCR :	20/05, Site - 4, Sahibabad Industrial Area, Sahibabad, Ghaziabad (UP) - 201005 Ph – 011-29892259, Email – info@ajaypipes.com
Gujarat :	C/o -Survey No-109 & 129, Grey Stone Buildcon LLP, Opposite Gokul Dham, Near Ford Service Centre, Shantipura- Sanand Highway, Ulariya Village, Ahmedabad-382210. Gujarat Ph – 9375761124, Email – gjdepot@ajaypipes.com
Karnataka :	Survey No. 55/2, Hoodi Village, K.R. Puram, Hoodi Main Road, Bangalore - 560048 Ph – 7337833733, Email – kadepot@ajaypipes.com
Tamil Nadu :	8/30, South House, Sasthri Street, Urumandampalayam, G.N. Mills, Coimbatore- 641029, Tamil Nadu, Ph – 9387058258 / 0484-3210590, Email – kldepot@ajaypipes.com
Telangana :	Plot No: 11A & 20A (D.No-2-24-90/11/20 NR), Road No.5, Sri Sai Colony, Lakshminarayana Nagar, Uppal, Hyderabad-500039. Telangana Ph: 9390055950, Email: apdepot@ajaypipes.com
West Bengal :	Sankrail Industrial Park, Jala Dhulagori, PS. Sankrail, Howrah, Kolkata-711302. West Bengal Ph – 9378206559, Email – wbdepot@ajaypipes.com
Maharashtra :	SR.No.-4, H.No-842, Mangaldham Society, Sonaba Nagar, Khadgaon Road, Wadi, Nagpur-440023. Maharashtra, Ph – 7447409102, Email – mh1depot@ajaypipes.com Gate No.764/767/768, Shirwal Bhor Road, Near Riter Company, Village-Wing, Taluka-Khandala, District-Satara-412801. Maharashtra, Ph – 9326716999 / 9130094523, Email – mhdepot@ajaypipes.com
Uttar Pradesh :	Property Bearing No: Survey-1297 & 1298, Village Korauta, Varanasi-221107. Uttar Pradesh Ph – 9355012514, Email – updepot3@ajaypipes.com



Ajay Industrial Corporation Ltd.

B-II/29, Mohan Co-operative Industrial Estate, Badarpur Border, New Delhi-110044

Toll Free No.: 1800 11 4050 | E: info@ajaypipes.com | W: www.ajaypipes.com

Branch offices : Ahmedabad | Bangalore | Coimbatore | Hyderabad | Kolkata | Nagpur | Pune | Varanasi