



**Manufacturer,
Supplier & Trader**



**Year of
Establishment**

2008



+91-7383668141, +91-8460269791

info@saagarhitech.com

Saagar HiTech, founded in 2008 by Mr. Bharatbhai Patel, stands as a prominent entity in the industrial landscape, headquartered in Ahmedabad, Gujarat. With a steadfast commitment to excellence, we have established ourselves as a leading Manufacturer, Supplier, and Trader of a diverse range of industrial equipment including Metal Cutting Bandsaw Machines, Rope Suspended Platforms, Material Handling Lifts, Rebar Bending Machines, and Rebar Cutting Machines.

At Saagar HiTech, we uphold a stringent quality policy that permeates every aspect of our operations. Our relentless pursuit of quality is reflected in the precision engineering of our products, ensuring optimal performance and durability. We adhere to industry-leading standards and employ cutting-edge technologies to deliver products that exceed expectations.

Central to our ethos is a dedication to customer satisfaction. We recognize that our success is intrinsically linked to the satisfaction of our valued customers. As such, we prioritize understanding and fulfilling the unique requirements of each client. Our customer-centric approach is underpinned by transparent communication, prompt service, and a commitment to delivering solutions that add tangible value to our clients' operations.

Beyond providing superior products and services, we strive to cultivate enduring relationships with our customers, built on trust, reliability, and mutual respect. We view each interaction as an opportunity to not only meet but exceed customer expectations, fostering long-term partnerships that transcend mere transactions.

Our team comprises seasoned professionals who embody our core values of integrity, innovation, and excellence. Their expertise, coupled with a culture of continuous improvement, drives our relentless pursuit of operational excellence and customer satisfaction.

Name of Founder
Mr. Bharatbhai Patel

Year of Establishment
2008

Nature of Business
Manufacturer, Supplier & Trader

Number of Employees
Upto 25 Numbers of people

Legal Status of Firm
Individual (Sole proprietorship)

Market Covered
Pan India

GST No
24AQZPP7043H1Z9



**SEMI-AUTOMATIC
BANDSAW MACHINE**

Business Type	Manufacturer, Supplier, Trader
Brand Name	Saagar Hi-Tech
Automatic Grade	Automatic
Cutting Capacity (Round) mm	175mm
Location	Anywhere in India
Material	Mild Steel
Power Source	Electric
Application	Industrial Use
Model Name/Number	SHSA175
Size (LxWxH)	1800x1300x900 mm

Business Type	Manufacturer, Supplier, Trader
Brand Name	Saagar Hi-Tech
Automatic Grade	Automatic
Cutting Capacity (Round) mm	175mm
Location	Anywhere in India
Material	Mild Steel
Power Source	Electric
Application	Industrial Use
Model Name/Number	SHSA175
Size (LxWxH)	1800x1300x900 mm



**SH175 METAL CUTTING
BANDSAW MACHINE**

CUTTING CAP. ROUND(MM)	175
CUTTING CAP. SQUARE(MM)	150 X 150
DRIVE	HELICAL GEAR-PINION
MOTOR	1 HP/1440 RPM
COOLANT PUMP	0.15 HP/2800 RPM
V-BELT	A35
BLADE SIZE(MM)	3000 X 27 X 0.9
BLADE SPEED(MTR/MIN)	37-52-70
WEIGHT(KG)	300
DIMENSIONS L X W X H(MM)	1700 X 740 X 1070

CUTTING CAP. ROUND(MM)	175
CUTTING CAP. SQUARE(MM)	150 X 150
DRIVE	HELICAL GEAR-PINION
MOTOR	1 HP/1440 RPM
COOLANT PUMP	0.15 HP/2800 RPM
V-BELT	A35
BLADE SIZE(MM)	3000 X 27 X 0.9
BLADE SPEED(MTR/MIN)	37-52-70
WEIGHT(KG)	300
DIMENSIONS L X W X H(MM)	1700 X 740 X 1070



**SH225 METAL CUTTING
BANDSAW MACHINE**

CUTTING CAP. ROUND(MM)	225
CUTTING CAP. SQUARE(MM)	175 X 175
DRIVE	BRONZE GEARBOX
MOTOR	1 HP/1440 RPM
COOLANT PUMP	0.15 HP/2800 RPM
V-BELT	A48
BLADE SIZE(MM)	3000 X 27 X 0.9
BLADE SPEED(MTR/MIN)	22-37-57-77
WEIGHT(KG)	375
DIMENSIONS L X W X H(MM)	2040 X 760 X 1070

CUTTING CAP. ROUND(MM)	225
CUTTING CAP. SQUARE(MM)	175 X 175
DRIVE	BRONZE GEARBOX
MOTOR	1 HP/1440 RPM
COOLANT PUMP	0.15 HP/2800 RPM
V-BELT	A48
BLADE SIZE(MM)	3000 X 27 X 0.9
BLADE SPEED(MTR/MIN)	22-37-57-77
WEIGHT(KG)	375
DIMENSIONS L X W X H(MM)	2040 X 760 X 1070



**SH275 METAL CUTTING
BANDSAW MACHINE**

CUTTING CAP. ROUND(MM)	275
CUTTING CAP. SQUARE(MM)	250 X 250
DRIVE	HELICAL GEAR-PINION
MOTOR	1 HP/1440 RPM
COOLANT PUMP	0.15 HP/2800 RPM
V-BELT	A49
BLADE SIZE(MM)	3505 X 27 X 0.9
BLADE SPEED(MTR/MIN)	37-52-70
WEIGHT(KG)	400
DIMENSIONS L X W X H(MM)	2100 X 850 X 1050

CUTTING CAP. ROUND(MM)	275
CUTTING CAP. SQUARE(MM)	250 X 250
DRIVE	HELICAL GEAR-PINION
MOTOR	1 HP/1440 RPM
COOLANT PUMP	0.15 HP/2800 RPM
V-BELT	A49
BLADE SIZE(MM)	3505 X 27 X 0.9
BLADE SPEED(MTR/MIN)	37-52-70
WEIGHT(KG)	400
DIMENSIONS L X W X H(MM)	2100 X 850 X 1050



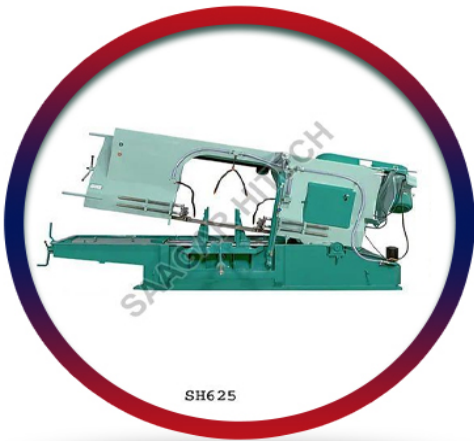
**SH325 METAL CUTTING
BANDSAW MACHINE**

CUTTING CAP. ROUND(MM)	325
CUTTING CAP. SQUARE(MM)	275 X 275
DRIVE	BRONZE GEARBOX
MOTOR	2 HP/960 RPM
COOLANT PUMP	0.15 HP/2800 RPM
V-BELT	A53
BLADE SIZE(MM)	3760 X 27 X 0.9
BLADE SPEED(MTR/MIN)	22-37-57-77
WEIGHT(KG)	460
DIMENSIONS L X W X H(MM)	2500 X 850 X 1200



**SH425 METAL CUTTING
BANDSAW MACHINE**

CUTTING CAP. ROUND(MM)	425
CUTTING CAP. SQUARE(MM)	350 X 350
DRIVE	BRONZE GEARBOX
MOTOR	2 HP/960RPM
COOLANT PUMP	0.15 HP/2800 RPM
V-BELT	A57
BLADE SIZE(MM)	4420 X 34 X 1.1
BLADE SPEED(MTR/MIN)	22-37-57-77
WEIGHT(KG)	750
DIMENSIONS L X W X H(MM)	2700 X 900 X 1200



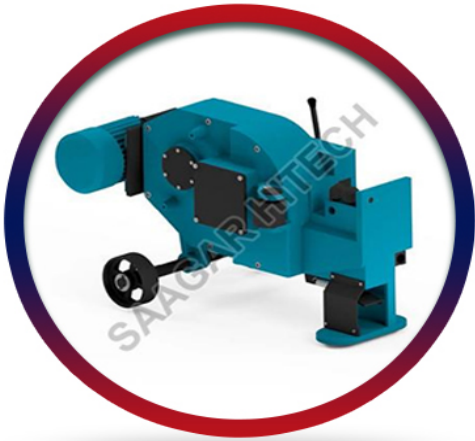
**SH625 METAL CUTTING
BANDSAW MACHINE**

CUTTING CAP. ROUND(MM)	625
CUTTING CAP. SQUARE(MM)	450 X 450
DRIVE	BRONZE GEARBOX
MOTOR	5 HP/960RPM
COOLANT PUMP	0.25 HP/2800 RPM
V-BELT	B68
BLADE SIZE(MM)	5800 X 41 X 1.3
BLADE SPEED(MTR/MIN)	22-37-57-77
WEIGHT(KG)	1400
DIMENSIONS L X W X H(MM)	3650 X 1070 X 1370



**SHR200 METAL CUTTING
BANDSAW MACHINE**

CUTTING CAP. ROUND(MM)	200
CUTTING CAP. SQUARE(MM)	150 X 150
DRIVE	HELICAL GEAR-PINION
MOTOR	1 HP/1440 RPM
COOLANT PUMP	0.15 HP/2800 RPM
V-BELT	A35
BLADE SIZE(MM)	3000 X 27 X 0.9
BLADE SPEED(MTR/MIN)	37-52-70
WEIGHT(KG)	300
DIMENSIONS L X W X H(MM)	1700 X 740 X 1070



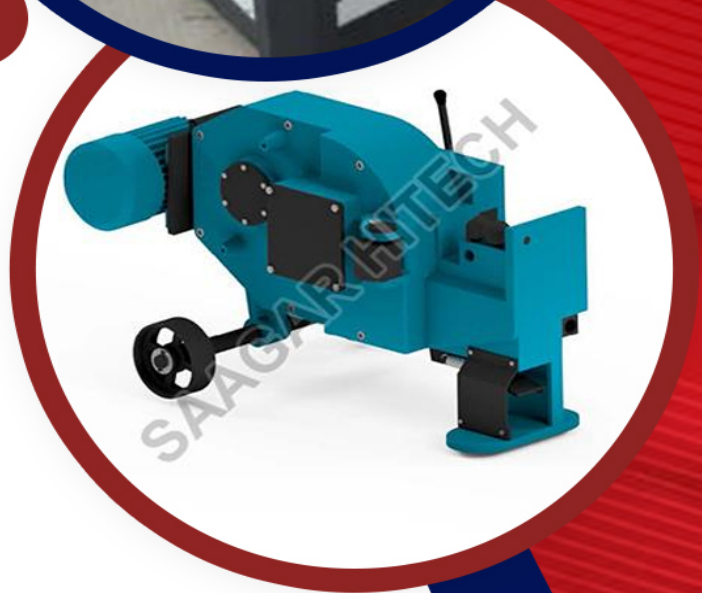
REBAR CUTTING MACHINE

Business Type : Manufacturer, Supplier, Trader
Country of Origin : India
Brand Name : Saagar Hi-Tech
Weight : 228 Kg
Location : Anywhere in India
Machine Type : Portable
Size (LxWxH) ; 950 x 533 x 530mm
Capacity : 36mm
Voltage : 220-240V,220 V



REBAR BENDING MACHINE

Business Type : Manufacturer, Supplier, Trader
Country of Origin : India
Brand Name : Saagar Hi-Tech
Driven Type : Electric
Location : Anywhere in India
Automatic Grade : Automatic
Application : Industrial Use
Weight : 200-300kg
Machine Weight : 300 Kg



Mr. Shivang Bharatbhai Patel



Address

PLOT NO.52/B, SAHITYA INDUSTRIAL ESTATE,
BAKROL BUJRANG, Daskroi, Ahmedabad, Gujarat,
India - 382430



Call Us

+91-7383668141, +91-8460269791



Email

info@saagarhitech.com



Web Address

www.saagarhitech.co.in



Web Page

www.exportersindia.com/saagar-hitech/
https://www.indianyellowpages.com/ahmedabad/saagar-hitech-daskroi-ahmedabad-12494544