



VALVES • PIPES • FITTINGS

"We Believe in Quality"

AN ISO 9001:2015 CERTIFIED COMPANY

LINED VALVES

BALL VALVES

LINED PIPE FITTINGS

PTFE PIPES

OTHER PRODUCTS

Welcome to LK Polymers, a leading manufacturer specializing in high-quality polymer products, including ball valves, butt weld fittings, and lined pipes. Located in Ahmedabad, Gujarat, we have established ourselves as a trusted name in the industry. Our commitment to excellence, cutting-edge technology, and a skilled workforce have made us a preferred choice for customers seeking top-tier polymer solutions.

Our dedicated team of professionals works closely to ensure the delivery of high-quality products that meet our customers' exacting standards. We have carefully selected and recruited a team of experts who strive tirelessly to maintain a harmonious work environment and prevent disputes in the workplace. This dedication to professionalism and teamwork is integral to our commitment to delivering the best quality products and services to our valued customers.

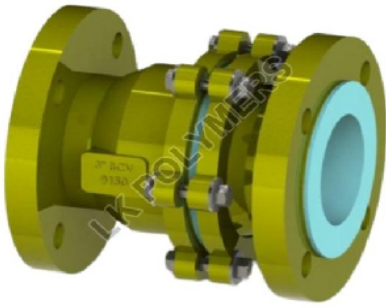
Under the visionary leadership of our CEO, Mr. Amar Chauhan, LK Polymers has achieved a renowned position in the market. Mr. Chauhan's knowledge, commitment, skills, and ethical business strategies have played a pivotal role in our success. With his guidance, we continue to build a long list of satisfied clients and expand our presence in the industry.

LK Polymers and its affiliated companies have been at the forefront of hi-tech engineered polymer processing for over a decade. Our primary objective is to implement cutting-edge polymer technology across a wide spectrum of applications. We specialize in designing, developing, and manufacturing a comprehensive range of world-class fluoropolymer lined products, including ball valves, butterfly valves, plug valves, ball check valves, swing check valves, diaphragm valves, pipes, fittings, and other PTFE equipment, all tailored to meet customer specifications.

Our commitment to quality is unwavering, and we leverage state-of-the-art technology and machinery, complemented by a highly competent workforce, to deliver products that consistently meet the highest standards. Our manufacturing facility, spanning over 20,000 square feet in Dhamatvan, Ahmedabad, Gujarat, India, is equipped with the most advanced equipment and is staffed by more than 100 dedicated individuals who oversee every aspect of the production process to ensure the highest quality standards are maintained.

Name of Founder	Mr. Amar Singh Chauhan
Year of Establishment	2018
Nature of Business	Manufacturer, Exporter & Supplier
Number of Employees	51 to 100 People
Annual Turnover	Rs. 10 - 25 Crore
Market Covered	Worldwide
GST No	24AGFPC0904J2ZX
Legal Status of Firm	Individual - Proprietor

Lined Valves



Lined Ball Check Valve



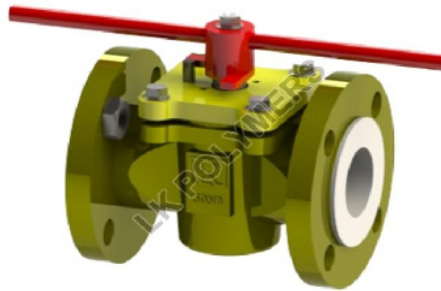
Lined Butterfly Valve



Lined Diaphragm Valve



Lined Flush Bottom Valve



Lined Plug Valve



Lined Swing Check Valve



Lined Three Piece Ball Valve



Lined Two Piece Ball Valve



Lined Wafer Type Check Valve

Ball Valves

Business Type	Manufacturer, Exporter, Supplier
Material	HDPE
Color	Black
Pressure	High
Application	Industrial
Size	8 Inch
Certification	ISI Certified
Country of Origin	India



HDPE Ball Valve



Business Type	Manufacturer, Exporter, Supplier
Material	PP
Color	White
Application	Industrial
Size	1/2" TO 10" Inch
Certification	ISI Certified
Type	Flanged
Country of Origin	India

PP Flanged Ball Valve

Business Type	Manufacturer, Exporter, Supplier
Material	PTFE
Finishing	Polished
Shape	Round
Color	Black
Usage	Industrial
Certification	ISI Certified
Country of Origin	India



PTFE Ball Valve



PVDF Ball Valve

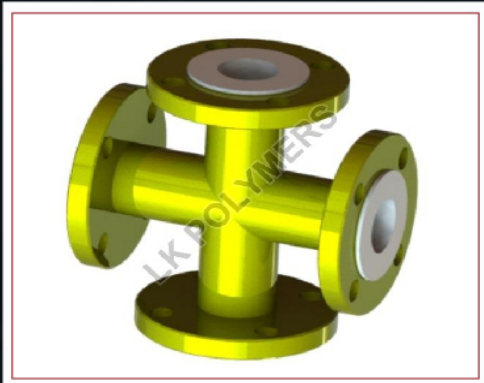
Business Type	Manufacturer, Exporter, Supplier
Material	PVDF
Color	White
Application	Industrial
Size	12 Inch
Pattern	Plain
Country of Origin	India



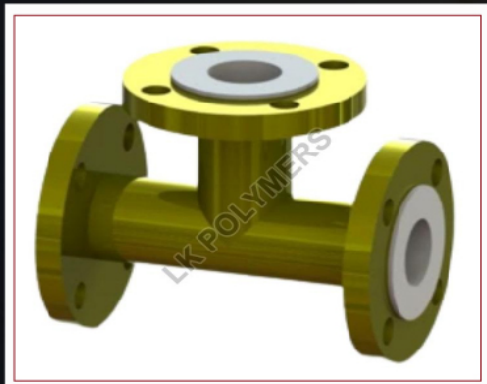
Lined Concentric Pipe Reducer



Lined Eccentric Pipe Reducer



Lined Cross Pipe Tee



Lined Equal Pipe Tee



Lined Pipe Elbow



Lined Pipe Spool



Lined Reducing Pipe Flange



Business Type
Material
Finishing
Shape
Color
Usage
Type
Country of Origin
Diameter



PTFE Braided Hose Pipe

Manufacturer, Exporter, Supplier
Stainless Steel
Polished
Round
Silver
Industrial Use
Braided
India
3 Inch

Business Type
Material
Finishing
Shape
Color
Application
Size
Length
Country of Origin



PTFE Lined Spool Pipe

Manufacturer, Exporter, Supplier
PTFE
Polished
Round
Blue
Industrial
12 Inch
6 Meter
India

Business Type
Country of Origin
Pipe
Flange
Liner
Flanges Std.



PTFE Lined Dip Pipe

Manufacturer, Exporter, Supplier
India
SS 304, SS316
A105, SS304, SS316
PTFE
IN PN 10/16, BS 10, 300



Lined Y Type Strainer



Lined Instrument Tee



Lined Full View Sight Glass



Lined Double Window Sight Glass



PTFE Expansion Bellow



Industrial Agitator



Manhole Cover

CONTACT US



MR. ASHUTOSH KR.

Office Address :- Plot No. 25-26/4, Nilsin Factory Compound, Phase-I, GIDC, Vatva, Ahmedabad, Gujarat - 382435, India

Factory Address 1 :- Plot No. : 45-46, Shreeji Industrial Park, Nr. Dhamatvan-Undrel Road, Nr. Dhamatvan-Undrel Canal, Dhamatvan, Tal. Daskroi, Dist. Ahmedabad - 382430, India

Factory Address 2 :- Plot No. : D-2 E-126, Dahej-2, GIDC - DHAHEJ, Dist. Bharuch-392130, India

Mobile :- +91-9574445888

Email Address :- sales@lkpolymers.com

Web Page :- <https://www.exportersindia.com/lkpolymers/>