



# ANDI ENGINEERS

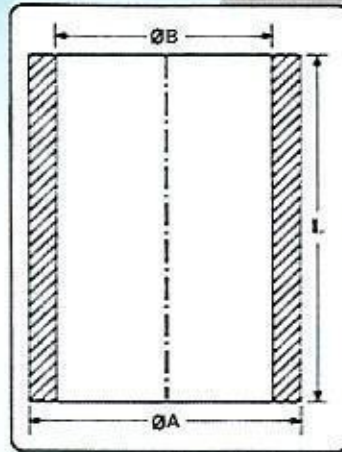
P-226, 'SWAGATA APARTMENT',  
Gr. Floor, Block-A, Lake Town, Kolkata - 700 089  
Phone : +91-33-2521 0717, Telefax : +91-33-2521 0717  
Mobile : 9831026581

E-mail : [marketing@andiengineers.com](mailto:marketing@andiengineers.com)  
Web. : [www.andiengineers.com](http://www.andiengineers.com)  
[www.andiengineers-india.co.in](http://www.andiengineers-india.co.in)





Cylindrical Support Insulator

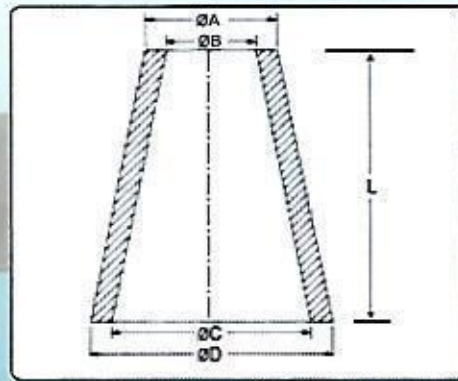


DRG. NO	Ø A	Ø B	L
AE/ESP/CLD-03	430	370	375
AE/ESP/CLD-05	430	360	510
AE/ESP/CLD-08	440	380	610
AE/ESP/CLD-10	510	445	610

All dimensions are in mm. Dimensional tolerance of + 5% to be permitted. All Conical Insulators voltage rating are within voltage range of 125KV to 170KV and many more.



Conical Support Insulator

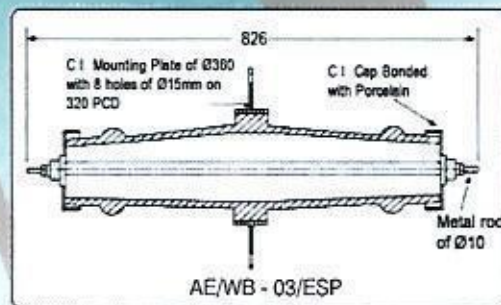


DRG NO	ØA	ØB	ØC	ØD	L
AE/ESP/CON-01	230	175	375	430	375
AE/ESP/CON-03	270	210	325	380	500
AE/ESP/CON-05	350	300	400	450	510
AE/ESP/CON-09	225	170	465	520	600
AE/ESP/CON-20	430	360	450	520	610
AE/ESP/CON-24	262	210	440	492	700
AE/ESP/CON-25	291	221	407	477	710

All dimension are in mm. Dimensional tolerance of + 5% to be permitted. All Conical Insulators voltage rating are within voltage range of 125KV to 170KV and many more.



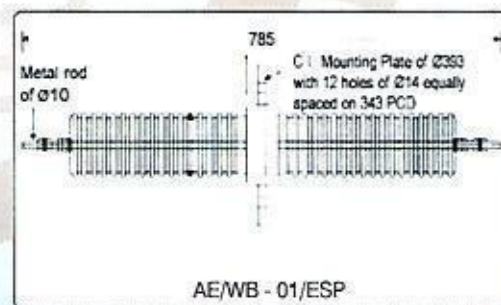
Wall through Bushing



D.E.R. Drive Insulator



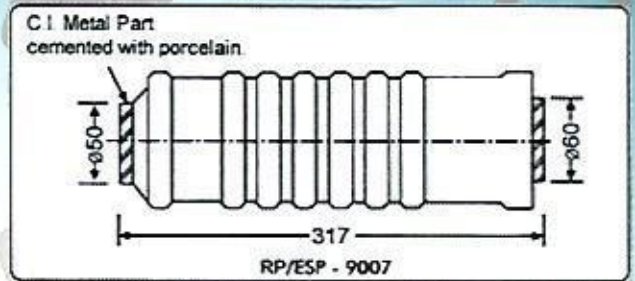
Wall through Bushing



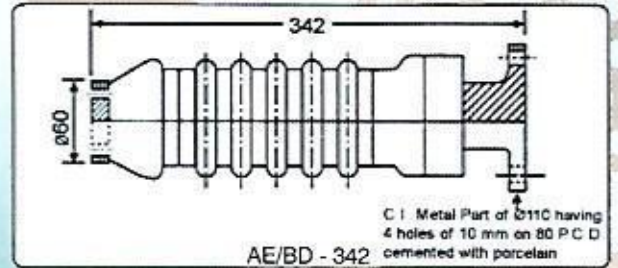




Bus Duct Insulator



Bus Duct Insulator



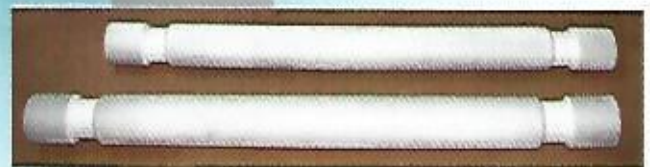
Transformer Bushing Insulator



Various Porcelain Insulators



C.T./P.T. Bushings



High Alumina Antisway Insulator For ESP



Solid Core Insulators

