



SME OCEANWAYS

Where Quality Meets Global Trade.



SME OCEANWAYS



DI 84S

Compact Door Closer

The perfect solution for standard door closer



Warrenty
3 Years

Std.
Scissor
Arm

Size
2
45 Kg.



IS : 3564



IS : 6315



+91 82175 24980 | smeoceanways@gmail.com | www.smeoceanways.com

Product Specification

Standard Features :-

- Versions:** With scissor arm and With Parallel arm Bracket
- Max Door Width:** 850mm
- Max Door Weight:** 45 Kg
- Max Opening Angle:** Approx 180 °
- Size :** EN2 fixed power strength, adjustable as per fixing
- Adjustments:** Closing speed and hydraulic latching action valve
- Mounting:** For DIN left hand and DIN right hand use
Non-handed
Regular, parallel & over door mounting.
Universal fitting
Tested to 300,000 operation cycles.

Body Dimension :-

Length: 190mm | **Width:** 36.5mm | **Height:** 37.8mm

Key Advantages :-

For Users

- o The door closer works smoothly for aluminium frame door.
- o Two valves for optimum closing speed and latching action

For Sellers

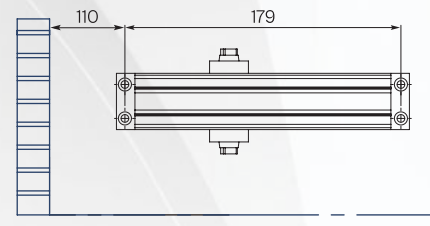
- o Low-cost solution for standard doors
- o One model for all mounting positions

For Installers

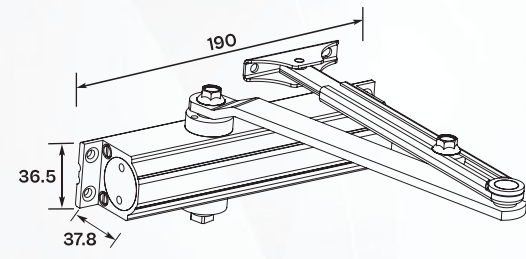
- o Quick and easy to install
- o Fixes perfectly to all door types without the need for a mounting backplate
- o Easy to read instructions, saving over 12 minutes of fitting time

Dimensional Details on Hinge Side

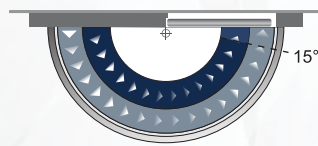
DIN left-door, DIN right laterally reversed
Standard mounting, hinge side



CLOSING FORCE EN2



Closing force diagram, hinge side



Closing Speed

Continuously adjustable closing speed from approx 180° to 15°.

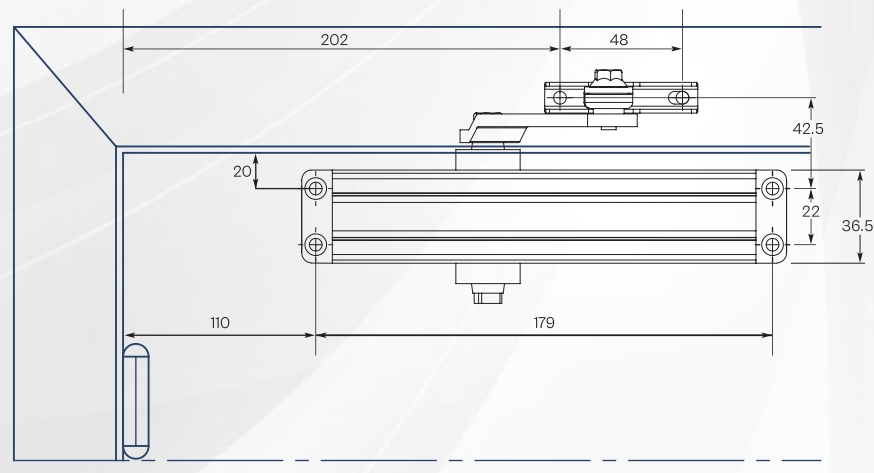
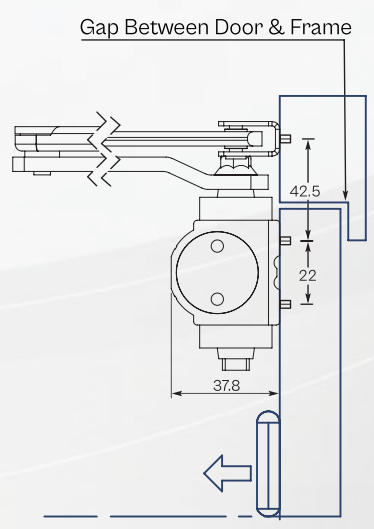
Latching Speed

Continuously adjustable latching speed from 15° to 0°.



Adjustment of Closing Speed

- Turn the valves clockwise to decrease closing speed.
- Turn the valves counter clockwise to increase closing speed.
- Do not overturn valves counter clockwise



• Detailed installation guide is given in the box.
* All dimensions are in Millimeters



SME OCEANWAYS



DI 100S

Compact Door Closer

The ideal low-cost solution for standard doors



Warrenty
3 Years

Std.
Scissor
Arm

Size
3
60 Kg.



IS : 3564



IS : 6315

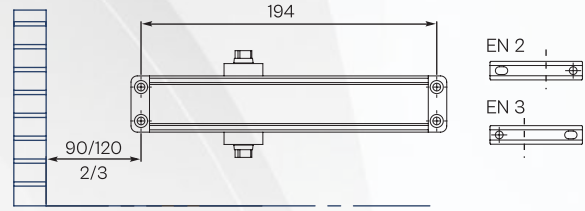


+91 82175 24980 | smeoceanways@gmail.com | www.smeoceanways.com

Product Specification

Standard Features :-

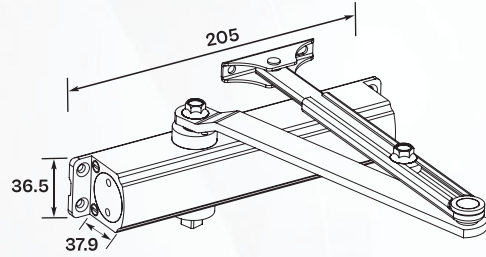
- Versions:** With scissor arm and With Parallel arm Bracket
- Max Door Width:** 900mm
- Max Door Weight:** 60 Kg
- Max Opening Angle:** Approx 180 °
- Size:** EN3 fixed power strength, adjustable as per fixing
- Adjustments:** Closing speed and hydraulic latching action valve
- Mounting:** For DIN left hand and DIN right hand use
Non-handed
Regular, parallel & over door mounting.
Universal fitting
Tested to 400,000 operation cycles.



CLOSING FORCE EN2/3

Body Dimension :-

Length: 205mm | **Width:** 36.5mm | **Height:** 37.9mm



Key Advantages :-

For Users

- o The door closer works with constant parameters independent of changes in ambient temperature
- o Two valves for optimum closing speed and latching action

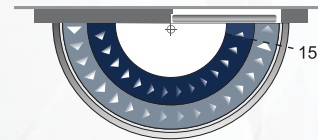
For Sellers

- o Low-cost solution for standard doors
- o One model for all mounting positions

For Installers

- o Quick and easy to install
- o Fixes perfectly to all door types without the need for a mounting backplate
- o Easy to read instructions, saving over 12 minutes of fitting time

Closing force diagram, hinge side

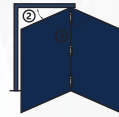


Closing Speed

Continuously adjustable closing speed from approx 180° to 15°.

Latching Speed

Continuously adjustable latching speed from 15° to 0°.

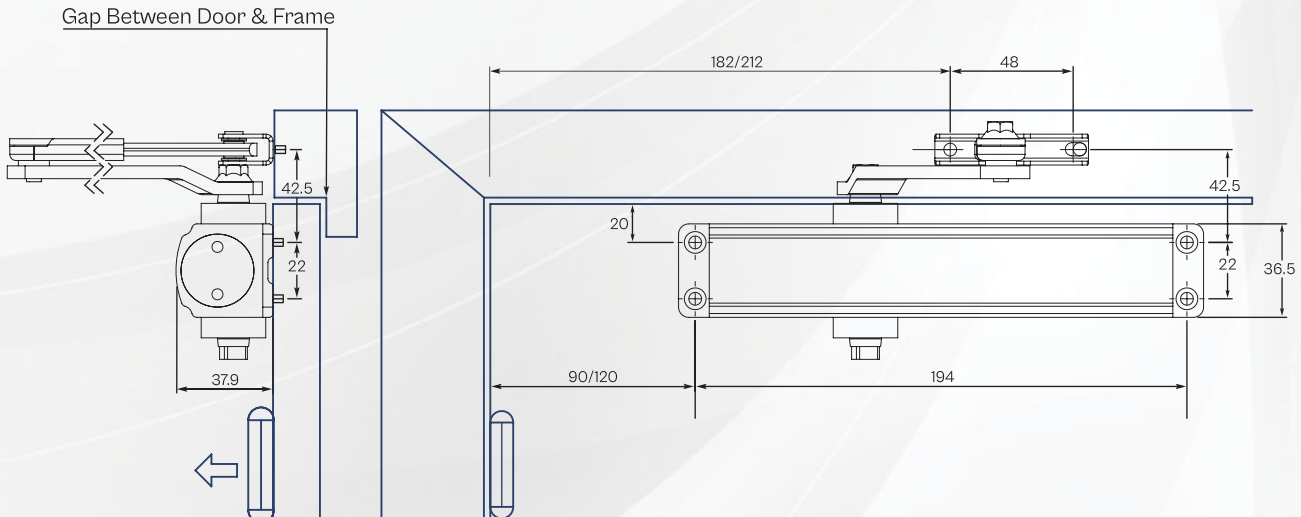


Adjustment of Closing Speed

- Turn the valves clockwise to decrease closing speed.
- Turn the valves counter clockwise to increase closing speed.
- Do not overturn valves counter clockwise

Dimensional Details on Hinge Side

DIN left-door, DIN right laterally reversed
Standard mounting, hinge side



● Detailed installation guide is given in the box.
* All dimensions are in Millimeters



SME OCEANWAYS



DI 110S

Scissor Arm Door Closer

User-friendly and reliable door closer



Warrenty
3 Years

Std.
Scissor
Arm

Size
3
60 Kg.



IS : 3564



IS : 6315

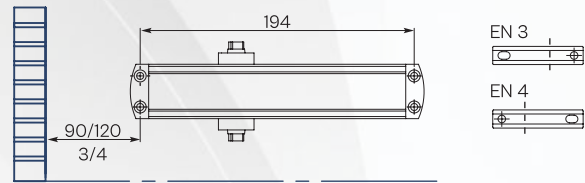


+91 82175 24980 | smeoceanways@gmail.com | www.smeoceanways.com

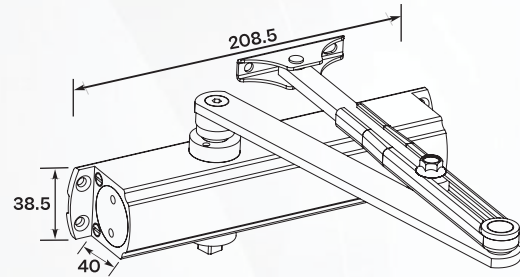
Product Specification

Standard Features :-

- Versions:** With scissor arm and With Parallel arm Bracket
- Max Door Width:** 1050mm
- Max Door Weight:** 75 Kg
- Max Opening Angle:** Approx 180 °
- Size:** EN4 fixed power strength, adjustable as per fixing
- Adjustments:** Closing speed and hydraulic latching action valve
- Mounting:** For DIN left hand and DIN right hand use
Non-handed
Regular, parallel & over door mounting.
Universal fitting
Tested to 500,000 operation cycles.



CLOSING FORCE EN3/4



Body Dimension :-

Length: 208.5mm | **Width:** 38.5mm | **Height:** 40mm

Key Advantages :-

For Users

- o The door closer works with constant parameters independent of changes in ambient temperature
- o Two valves for optimum closing speed and latching action

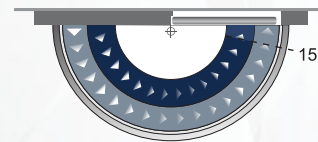
For Sellers

- o Low-cost solution for standard doors
- o One model for all mounting positions

For Installers

- o Quick and easy to install
- o Fixes perfectly to all door types without the need for a mounting backplate
- o Easy to read instructions, saving over 12 minutes of fitting time

Closing force diagram, hinge side



Closing Speed

Continuously adjustable closing speed from approx 180° to 15°.

Latching Speed

Continuously adjustable latching speed from 15° to 0°.

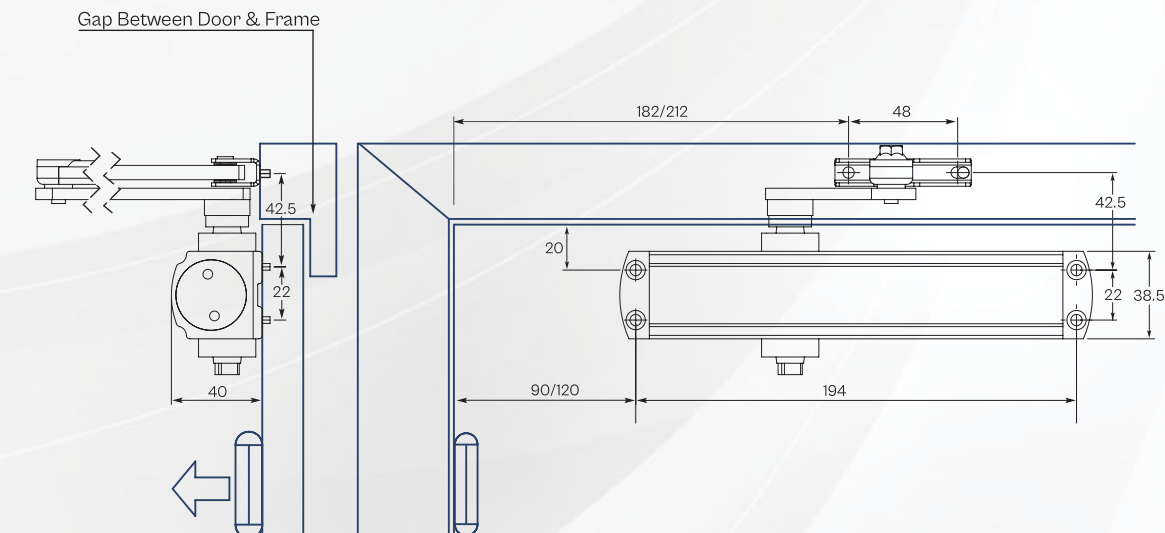


Adjustment of Closing Speed

- Turn the valves clockwise to decrease closing speed.
- Turn the valves counter clockwise to increase closing speed.
- Do not overturn valves counter clockwise

Dimensional Details on Hinge Side

DIN left-door, DIN right laterally reversed
Standard mounting, hinge side



● Detailed installation guide is given in the box.
* All dimensions are in Millimeters



SME OCEANWAYS



DI 200S

Scissor Arm Door Closer

Easy to fix, easy to adjust



Warrenty
3 Years

Std. Heavy
Scissor
Arm

Size
4
90 Kg.



IS : 3564



IS : 6315

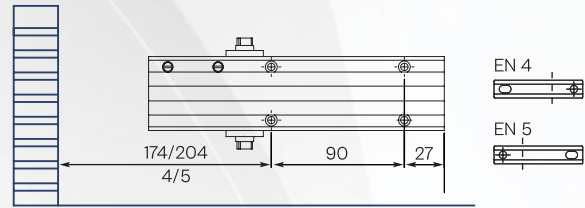


+91 82175 24980 | smeoceanways@gmail.com | www.smeoceanways.com

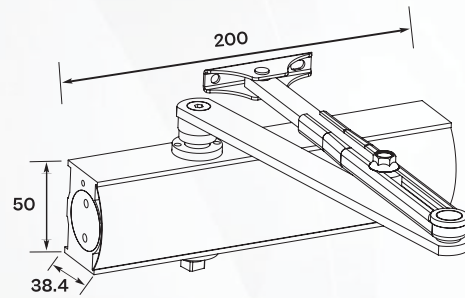
Product Specification

Standard Features :-

- Versions:** With scissor arm and With Parallel arm Bracket
- Max Door Width:** 1150mm
- Max Door Weight:** 90 Kg
- Max Opening Angle:** Approx 180 °
- Size:** EN5 fixed power strength, adjustable as per fixing
- Adjustments:** Closing speed and hydraulic latching action valve
- Mounting:** For DIN left hand and DIN right hand use
Non-handed
Regular, parallel & over door mounting.
Universal fitting
Tested to 500,000 operation cycles.



CLOSING FORCE EN4/5



Body Dimension :-

Length: 200mm | **Width:** 50mm | **Height:** 38.4mm

Key Advantages :-

For Users

- o The door closer works with constant parameters independent of changes in ambient temperature
- o Two valves for optimum closing speed and latching action

For Sellers

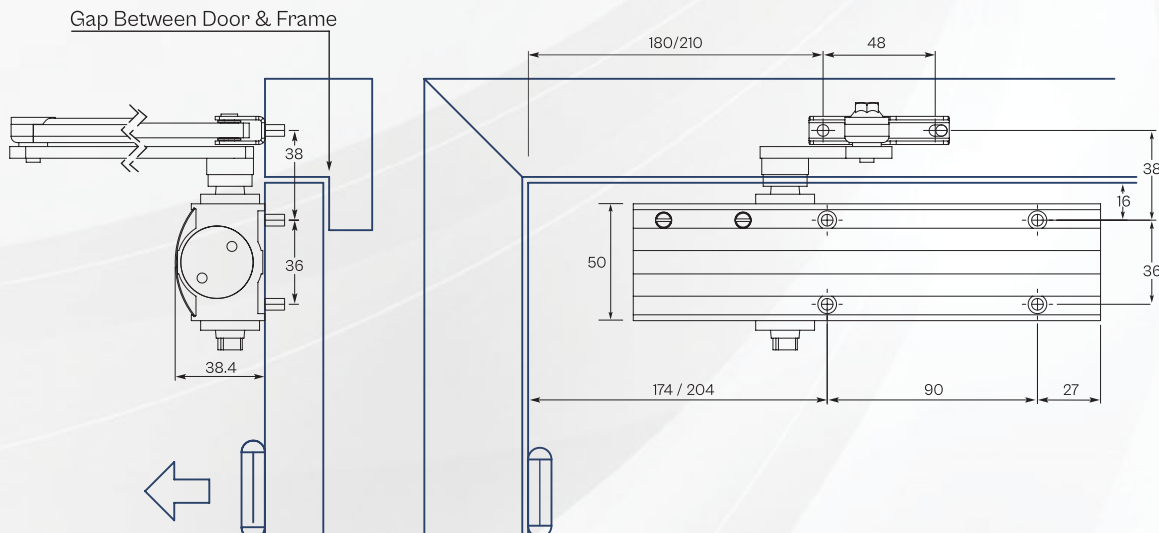
- o Low-cost solution for standard doors
- o One model for all mounting positions

For Installers

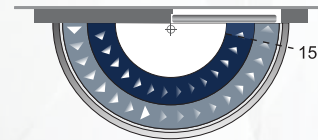
- o Quick and easy to install
- o Fixes perfectly to all door types without the need for a mounting backplate
- o Easy to read instructions, saving over 12 minutes of fitting time

Dimensional Details on Hinge Side

DIN left-door, DIN right laterally reversed
Standard mounting, hinge side



Closing force diagram, hinge side



Closing Speed

Continuously adjustable closing speed from approx 180° to 15°.

Latching Speed

Continuously adjustable latching speed from 15° to 0°.



Adjustment of Closing Speed

- Turn the valves clockwise to decrease closing speed.
- Turn the valves counter clockwise to increase closing speed.
- Do not overturn valves counter clockwise

• Detailed installation guide is given in the box.
* All dimensions are in Millimeters



SME OCEANWAYS



DI 200C

Scissor Arm Door Closer

Attractive and Reliable with SS cover



Warrenty
3 Years

Std. Heavy
Scissor
Arm

Size
4
90 Kg.

SS
304
Cover



IS : 3564



IS : 6315

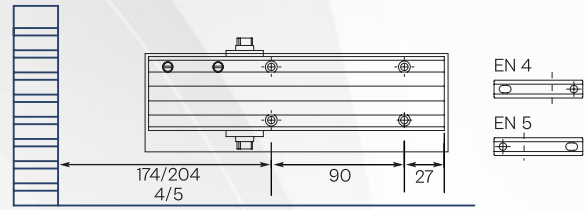


+91 82175 24980 | smeoceanways@gmail.com | www.smeoceanways.com

Product Specification

Standard Features :-

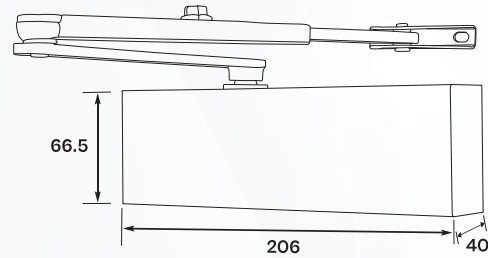
- Versions:** With scissor arm and With Parallel arm Bracket
- Max Door Width:** 1150mm
- Max Door Weight:** 90 Kg
- Max Opening Angle:** Approx 180 °
- Size:** EN5 fixed power strength, adjustable as per fixing
- Adjustments:** Closing speed and hydraulic latching action valve
- Mounting:** For DIN left hand and DIN right hand use
Non-handed
Regular, parallel & over door mounting.
Universal fitting
Tested to 500,000 operation cycles.



CLOSING FORCE EN4/5

Body Dimension :-

Length: 206mm | **Width:** 66.5mm | **Height:** 40mm



Key Advantages :-

For Users

- o The door closer works with constant parameters independent of changes in ambient temperature
- o Two valves for optimum closing speed and latching action
- o Body cover makes it look stylish and dust proof

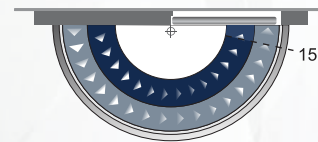
For Sellers

- o Stylish solution for modern doors
- o One model for all mounting positions

For Installers

- o Quick and easy to install
- o Fixes perfectly to all door types without the need for a mounting backplate
- o Easy to read instructions, saving over 12 minutes of fitting time

Closing force diagram, hinge side



Closing Speed

Continuously adjustable closing speed from approx 180° to 15°.

Latching Speed

Continuously adjustable latching speed from 15° to 0°.

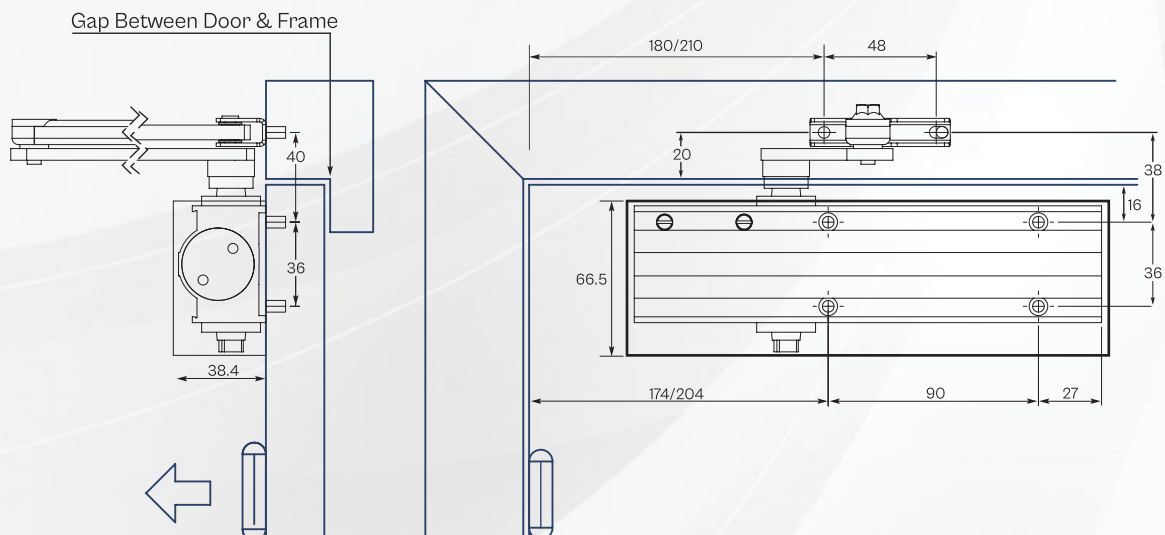


Adjustment of Closing Speed

- Turn the valves clockwise to decrease closing speed.
- Turn the valves counter clockwise to increase closing speed.
- Do not overturn valves counter clockwise

Dimensional Details on Hinge Side

DIN left-door, DIN right laterally reversed
Standard mounting, hinge side



• Detailed installation guide is given in the box.
* All dimensions are in Millimeters



SME OCEANWAYS



DI 500S

Track Arm Door Closer

Versatile and Elegant



Warrenty
3 Years

Track
Arm

Size
4
80 Kg.



IS : 3564



IS : 6315



+91 82175 24980 | smeoceanways@gmail.com | www.smeoceanways.com

Product Specification

Standard Features :-

- Versions:** With track arm
- Max Door Width:** 1100mm
- Max Door Weight:** 80 Kg
- Max Opening Angle:** Approx 130 °
- Max Hold Open Angle:** 130 °
- Size:** EN4 fixed power strength, adjustable by template
- Adjustments:** Closing speed and hydraulic latching action valve
- Mounting:** For DIN left hand and DIN right hand use
Non-handed
Regular & over door mounting.
Universal fitting
Tested to 500,000 operation cycles.

Body Dimension :-

Length: 200mm | **Width:** 50mm | **Height:** 38.4mm

Key Advantages :-

For Users

- o The door closer works with constant parameters independent of changes in ambient temperature
- o Two valves for optimum closing speed and latching action

For Sellers

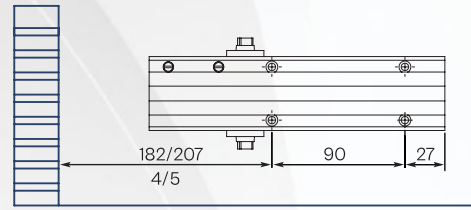
- o Best solution for standard doors
- o One model for all mounting positions

For Installers

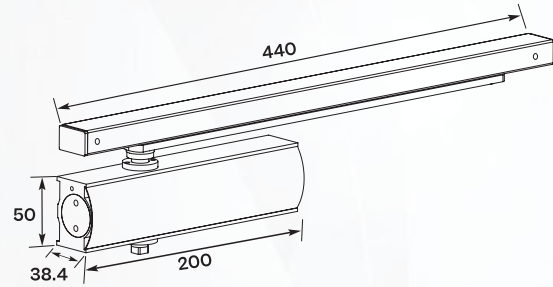
- o Quick and easy to install
- o Fixes perfectly to all door types without the need for a mounting backplate
- o Easy to read instructions, saving over 11 minutes of fitting time

Dimensional Details on Hinge Side

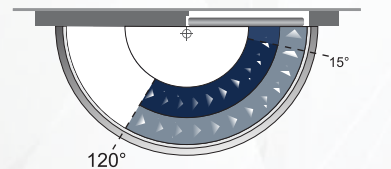
DIN left-door, DIN right laterally reversed
Standard mounting, hinge side



CLOSING FORCE EN4/5



Closing force diagram, hinge side



Closing Speed

Continuously adjustable closing speed from approx 130° to 15°.

Latching Speed

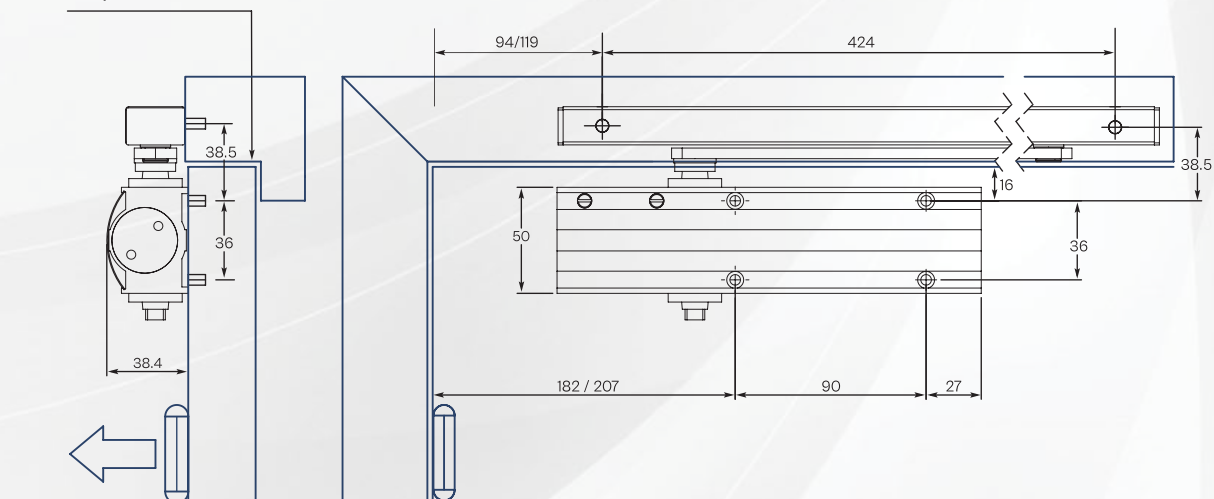
Continuously adjustable latching speed from 15° to 0°.



Adjustment of Closing Speed

- Turn the valves clockwise to decrease closing speed.
- Turn the valves counter clockwise to increase closing speed.
- Do not overturn valves counter clockwise

Gap Between Door & Frame



● Detailed installation guide is given in the box.
* All dimensions are in Millimeters

DI 500S - Track Arm Door Closer



SME OCEANWAYS



DI 500C

Track Arm Door Closer

Versatile and Elegant with SS cover



Warrenty
3 Years

Track
Arm

Size
4
80 Kg.

SS
304
Cover



IS : 3564



IS : 6315



+91 82175 24980 | smeoceanways@gmail.com | www.smeoceanways.com

Product Specification

Standard Features :-

- Versions:** With Track arm
- Max Door Width:** 1100mm
- Max Door Weight:** 80 Kg
- Max Opening Angle:** Approx 130 °
- Max Hold Open Angle:** 130 °
- Size:** EN4 fixed power strength, adjustable as per fixing
- Adjustments:** Closing speed and hydraulic latching action valve
- Mounting:** For DIN left hand and DIN right hand use
Non-handed
Regular & over door mounting.
Universal fitting
Tested to 500,000 operation cycles.

Body Dimension :-

Length: 206mm | **Width:** 66.5mm | **Height:** 40mm

Key Advantages :-

For Users

- o The door closer works with constant parameters independent of changes in ambient temperature
- o Two valves for optimum closing speed and latching action
- o Body cover makes it look stylish and dust proof

For Sellers

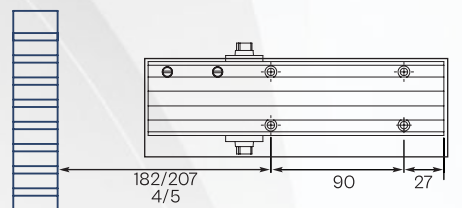
- o Attractive solution for Modern doors
- o One model for all mounting positions

For Installers

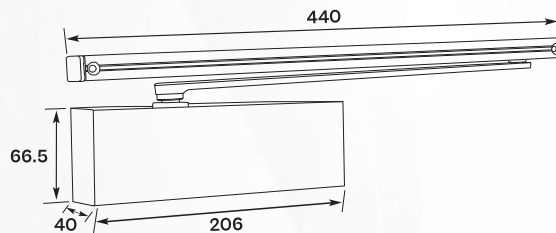
- o Quick and easy to install
- o Fixes perfectly to all door types without the need for a mounting backplate
- o Easy to read instructions, saving over 9 minutes of fitting time

Dimensional Details on Hinge Side

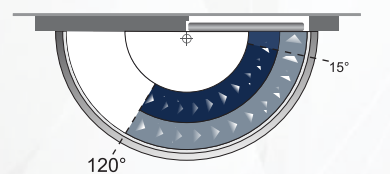
DIN left-door, DIN right laterally reversed
Standard mounting, hinge side



CLOSING FORCE EN4/5



Closing force diagram, hinge side



Closing Speed

Continuously adjustable closing speed from approx 130° to 15°.

Latching Speed

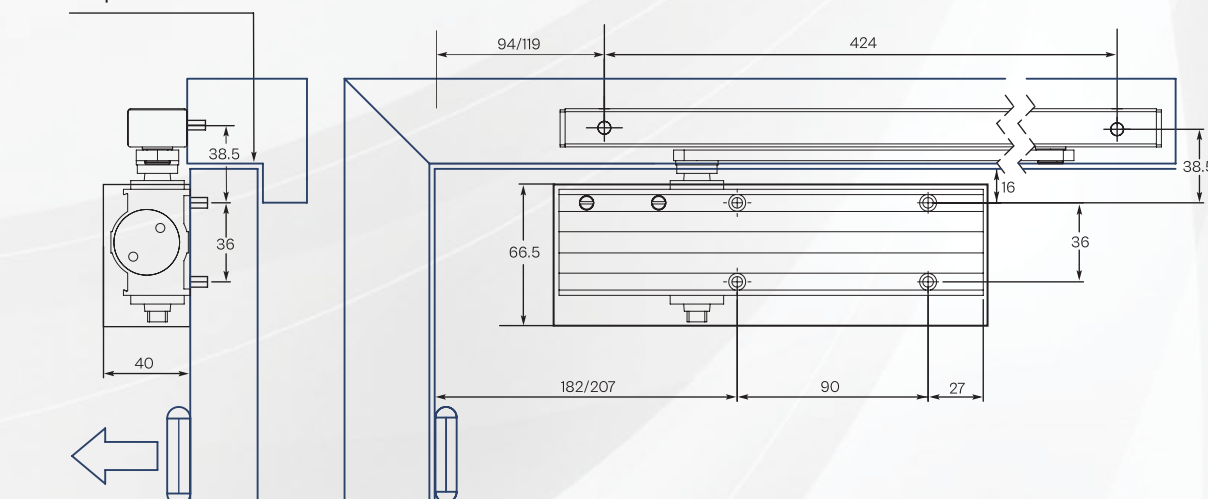
Continuously adjustable latching speed from 15° to 0°.



Adjustment of Closing Speed

- Turn the valves clockwise to decrease closing speed.
- Turn the valves counter clockwise to increase closing speed.
- Do not overturn valves counter clockwise

Gap Between Door & Frame

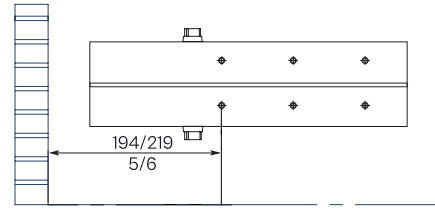


● Detailed installation guide is given in the box.
* All dimensions are in Millimeters

Product Specification

Standard Features :-

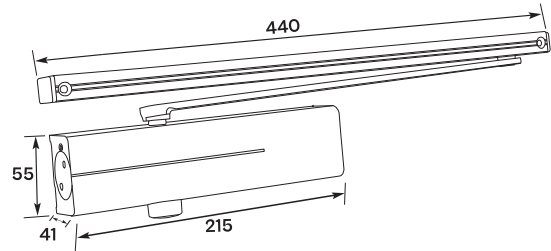
- Versions:** With Track arm
- Max Door Width:** 1300mm
- Max Door Weight:** 120 Kg
- Max Opening Angle:** Approx 130 °
- Max Hold Open Angle:** 130 °
- Size:** EN6 fixed power strength, adjustable as per fixing
- Adjustments:** Closing, Latching speed adjustment and back check function
- Mounting:** For DIN left hand and DIN right hand use
- Non-handed
- Regular & over door mounting.
- Universal fitting
- Tested to 500,000 operation cycles.



CLOSING FORCE EN5/6

Body Dimension :-

Length: 215mm | **Width:** 55mm | **Height:** 41mm



Key Advantages :-

For Users

- o The door closer works with constant parameters independent of changes in ambient temperature
- o Two valves for optimum closing speed and latching action
- o Safe even if door opened too forcefully

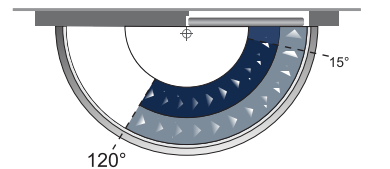
For Sellers

- o Solution for standard Heavy weighted doors
- o One model for all mounting positions

For Installers

- o Quick and easy to install
- o Fixes perfectly to all door types without the need for a mounting backplate
- o Easy to read instructions, saving over 8 minutes of fitting time

Closing force diagram, hinge side

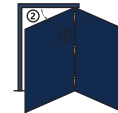


Closing Speed

Continuously adjustable closing speed from approx 130° to 15°.

Latching Speed

Continuously adjustable latching speed from 15° to 0°.

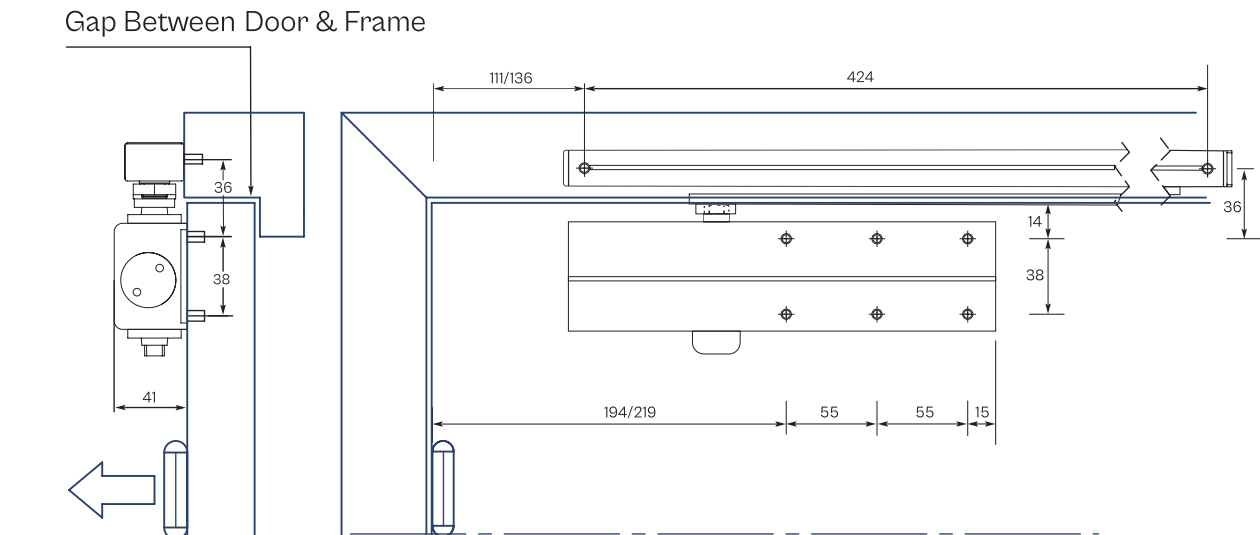


Adjustment of Closing Speed

- Turn the valves clockwise to decrease closing speed.
- Turn the valves counter clockwise to increase closing speed.
- Do not overturn valves counter clockwise

Dimensional Details on Hinge Side

DIN left-door, DIN right laterally reversed
Standard mounting, hinge side



● Detailed installation guide is given in the box.
* All dimensions are in Millimeters



SME OCEANWAYS



DI 650S

Track Arm Heavy Door Closer

The highest standards in quality, comfort and design



Back Check Function ●●● ●●● ●●●

Warrenty 4 Years

Track Arm

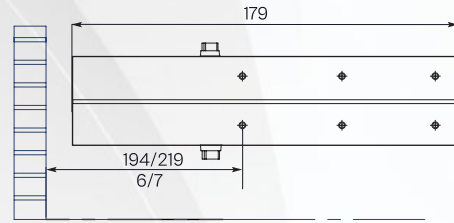
Size 6 150 Kg.



Product Specification

Standard Features :-

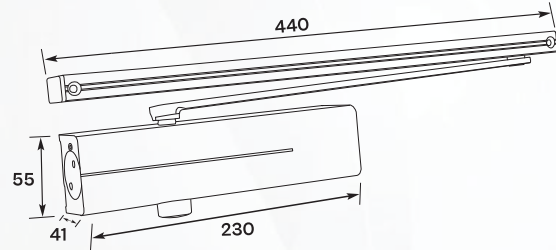
- Versions:** With Track arm
- Max Door Width:** 1450mm
- Max Door Weight:** 150 Kg
- Max Opening Angle:** Approx 130 °
- Max Hold Open Angle:** 130 °
- Size:** EN7 fixed power strength, adjustable as per fixing
- Adjustments:** Closing, Latching speed adjustment and back check function
- Mounting:** For DIN left hand and DIN right hand use
Non-handed
Regular, parallel & over door mounting.
Universal fitting
Tested to 500,000 operation cycles.



CLOSING FORCE EN6/7

Body Dimension :-

Length: 230mm | **Width:** 55mm | **Height:** 41mm



Key Advantages :-

For Users

- o The door closer works with constant parameters independent of changes in ambient temperature
- o Two valves for optimum closing speed and latching action
- o Safe even if door opened too forcefully

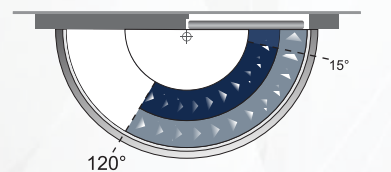
For Sellers

- o Solution for standard Heavy weighted doors
- o One model for all mounting positions

For Installers

- o Quick and easy to install
- o Fixes perfectly to all door types without the need for a mounting backplate
- o Easy to read instructions, saving over 8 minutes of fitting time

Closing force diagram, hinge side



Closing Speed

Continuously adjustable closing speed from approx 180° to 15°.

Latching Speed

Continuously adjustable latching speed from 15° to 0°.

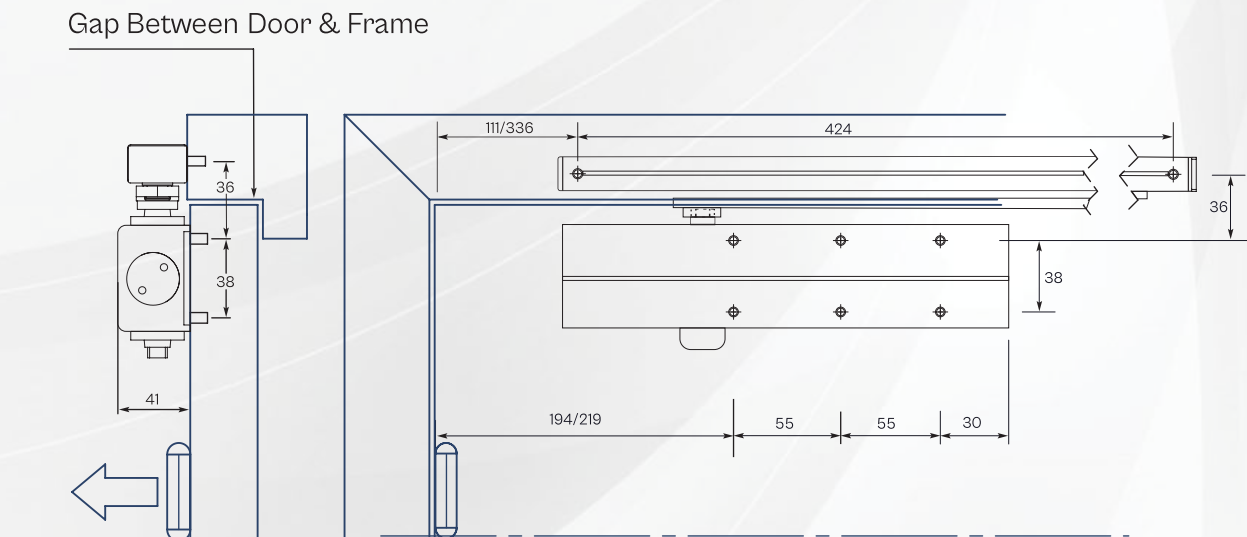


Adjustment of Closing Speed

- Turn the valves clockwise to decrease closing speed.
- Turn the valves counter clockwise to increase closing speed.
- Do not overturn valves counter clockwise

Dimensional Details on Hinge Side

DIN left-door, DIN right laterally reversed
Standard mounting, hinge side



● Detailed installation guide is given in the box.
* All dimensions are in Millimeters



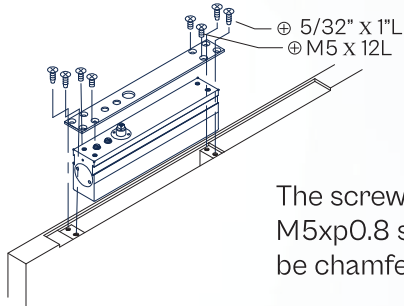
SME OCEANWAYS



Conceal Door Closer

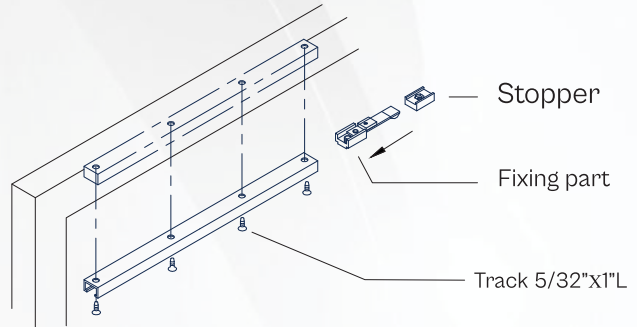
Installation of Conceal Door Closer

Fixing and installation of the body

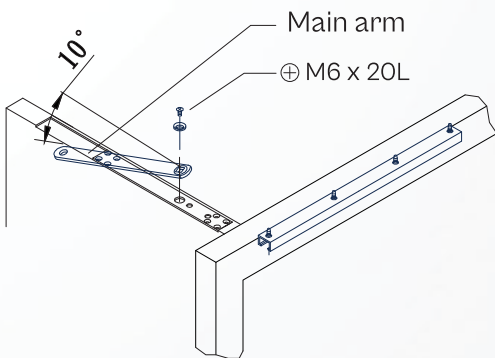


The screw holes for the M5x0.8 screws should be chamfer.

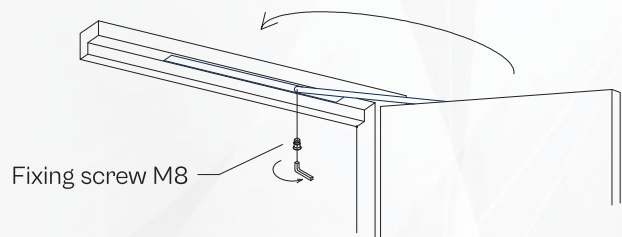
Fixing and installation of the track arm



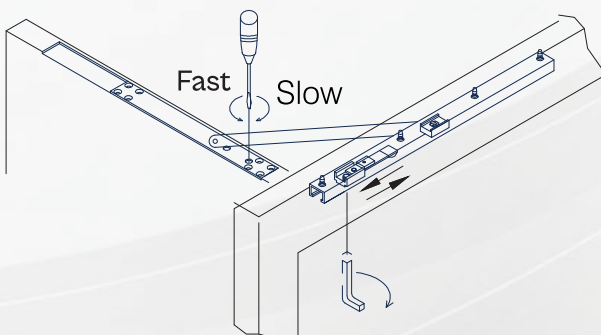
Combination the main arm and body



Combination the main arm and Stopper



Opening angle and closing speed adjustment





SME OCEANWAYS



DI 823S SERVO Conceal Door Closer

Ultra-thin closer



Warrenty
1 Year

23 mm

Size
2
40 Kg.

Standard Features :-

Versions: With Track arm and Fixing Brackets

Max Door Width: 800mm

Minimum Door Thickness: 28mm leaf

Max Door Weight: 40 Kg

Mounting height only 50mm

Max Opening Angle: Approx 130 °

Max Hold Open Angle: 130 °

Size: EN2 fixed power strength

Adjustments: Closing speed and hydraulic latching action valve

Mounting: For DIN left hand and DIN right hand use

Non-handed

Regular & over door mounting.

Universal fitting

Tested to 300,000 operation cycles.



IS : 3564



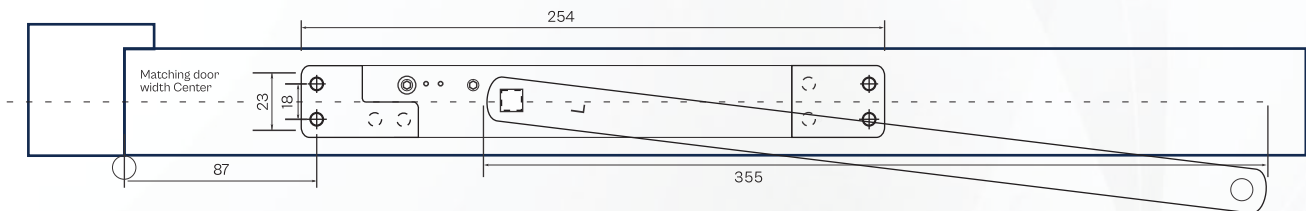
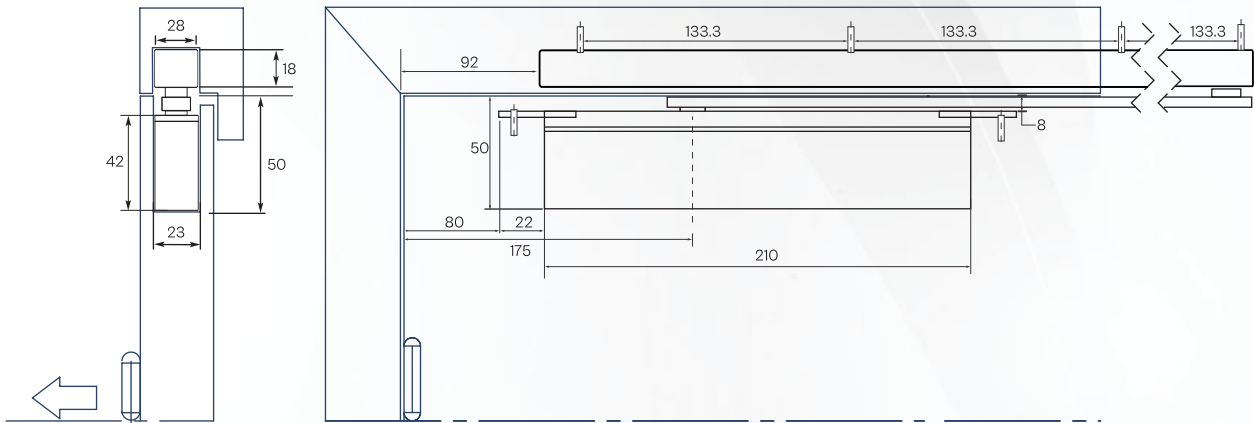
IS : 6315



+91 82175 24980 | smeoceanways@gmail.com | www.smeoceanways.com

Dimensional Details on Hinge Side

DIN left-door, DIN right laterally reversed
Standard mounting, hinge side



Product Specification

Body Dimension :-

Length: 210mm | Width: 23mm | Height: 42mm

Key Advantages :-

For Users

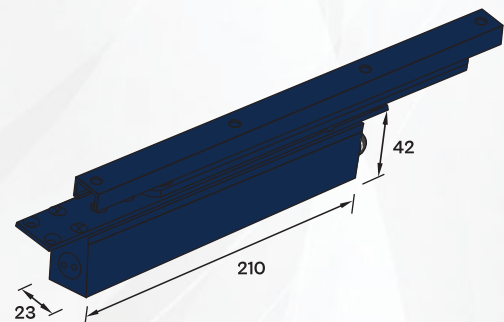
- Optimum protection against vandalism thanks to the concealed installation
- Enhanced user convenience and fully controlled, reliable closing with adjustable latch action
- Free-swing function from a door angle $>0^\circ$, resulting in virtually resistance-free opening the doors in applications requiring passive fire protection

For Sellers

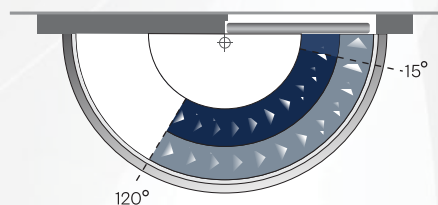
- Unblemished appearance of prestige doors thanks to concealed installation
- Compliance with statutory requirements for barrier-free building
- Universally suitable for single or double doors

For Installers

- Non-handed system
- Easy adjustment of the closing strength, closing speed and latch action after hanging of the doors



Closing force diagram, hinge side



Closing Speed

Continuously adjustable closing speed from approx 120° to 15° .

Latching Speed

Continuously adjustable latching speed from 15° to 0° to ensure complete latching.

* All dimensions are in Millimeters



SME OCEANWAYS



DI 825S STAR

Conceal Door Closer

Slick and Sexy fit in slim doors



Warranty
2 Year

26 mm

Size
2
50 Kg.

Standard Features :-

Versions: With Track arm and Fixing Brackets

Max Door Width: 850mm

Minimum Door Thickness: 32mm leaf

Max Door Weight: 50 Kg

Mounting height only 50mm

Max Opening Angle: Approx 130 °

Max Hold Open Angle: 130 °

Size: EN3 fixed power strength, adjustable by template

Adjustments: Closing speed and hydraulic latching action valve adjustable

Mounting: For DIN left hand and DIN right hand use

Non-handed

Regular & over door mounting.

Universal fitting

Tested to 300,000 operation cycles.



IS : 3564



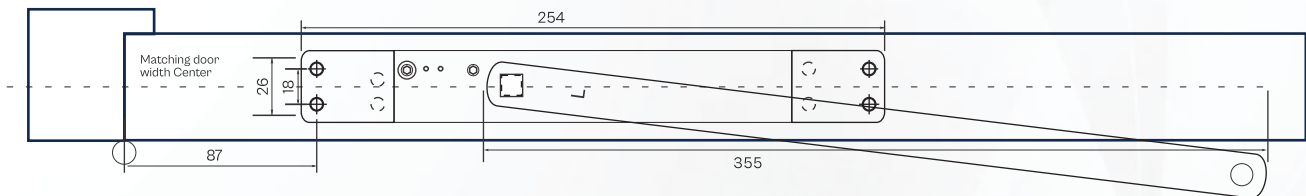
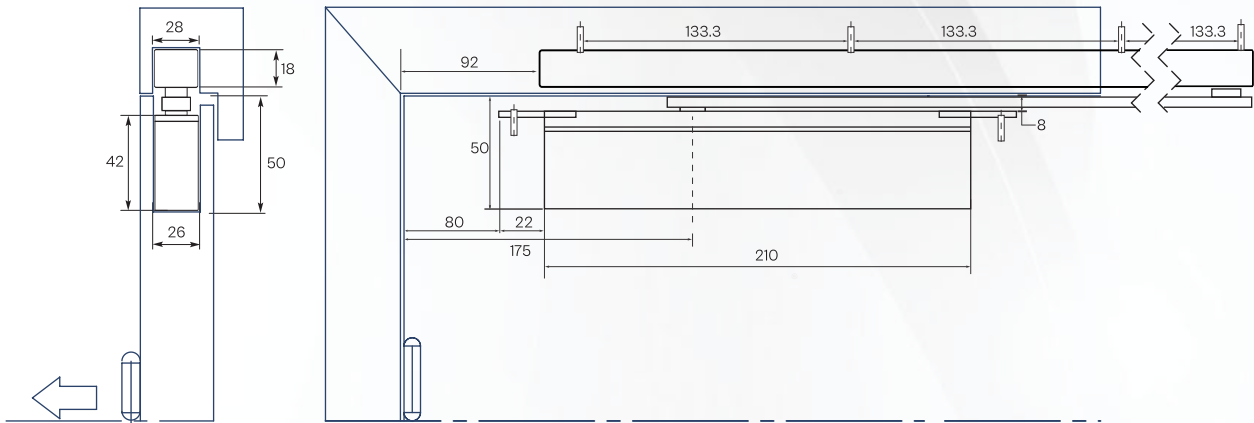
IS : 6315



+91 82175 24980 | smeoceanways@gmail.com | www.smeoceanways.com

Dimensional Details on Hinge Side

DIN left-door, DIN right laterally reversed
Standard mounting, hinge side



Product Specification

Body Dimension :-

Length: 210mm | Width: 26mm | Height: 42mm

Key Advantages :-

For Users

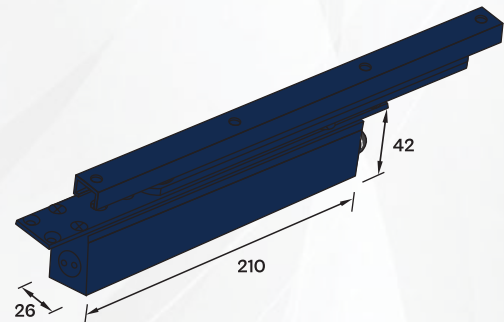
- o Optimum protection against vandalism thanks to the concealed installation
- o Enhanced user convenience and fully controlled, reliable closing with adjustable latch action
- o Free-swing function from a door angle $>0^\circ$, resulting in virtually resistance-free opening the doors in applications requiring passive fire protection

For Sellers

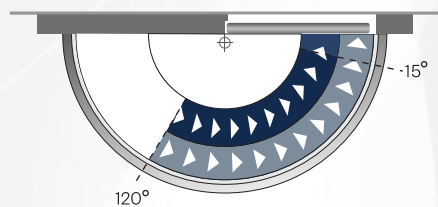
- o Unblemished appearance of prestige doors thanks to concealed installation
- o Compliance with statutory requirements for barrier-free building
- o Universally suitable for single or double doors

For Installers

- o Non-handed system
- o Easy adjustment of the closing strength, closing speed and latch action after hanging of the doors



Closing force diagram, hinge side



Closing Speed

Continuously adjustable closing speed from approx 120° to 15° .

Latching Speed

Continuously adjustable latching speed from 15° to 0° to ensure complete latching.

* All dimensions are in Millimeters



SME OCEANWAYS



DI 828S JET Conceal Door Closer

Truly Masterpiece



Warranty
3 Year

28 mm

Size
3
70 Kg.

Standard Features :-

Versions: With Track arm and Fixing Brackets

Max Door Width: 1000mm

Minimum Door Thickness: 35mm leaf

Max Door Weight: 70 Kg

Mounting height only 52mm

Max Opening Angle: Approx 130 °

Max Hold Open Angle: 130 °

Size: EN4 fixed power strength, adjustable by template

Adjustments: Closing speed and hydraulic latching action valve adjustable

Mounting: For DIN left hand and DIN right hand use

Non-handed

Regular & over door mounting.

Universal fitting

Tested to 400,000 operation cycles.



IS : 3564



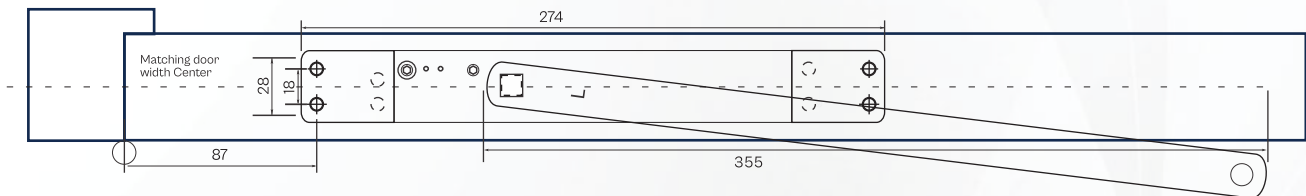
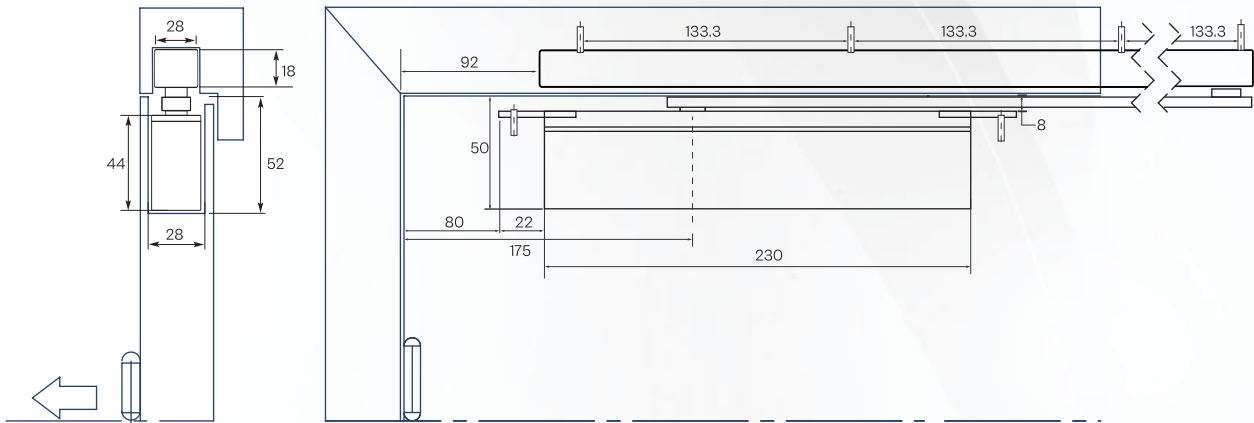
IS : 6315



+91 82175 24980 | smeoceanways@gmail.com | www.smeoceanways.com

Dimensional Details on Hinge Side

DIN left-door, DIN right laterally reversed
Standard mounting, hinge side



Product Specification

Body Dimension :-

Length: 230mm | Width: 28mm | Height: 44mm

Key Advantages :-

For Users

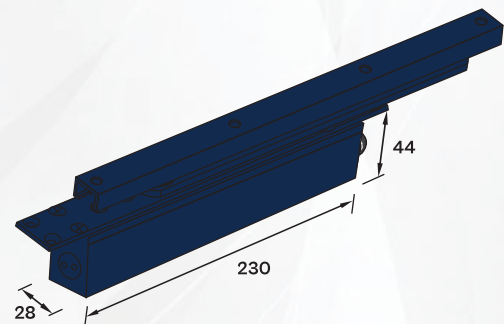
- o Optimum protection against vandalism thanks to the concealed installation
- o Enhanced user convenience and fully controlled, reliable closing with adjustable latch action
- o Free-swing function from a door angle $>0^\circ$, resulting in virtually resistance-free opening the doors in applications requiring passive fire protection

For Sellers

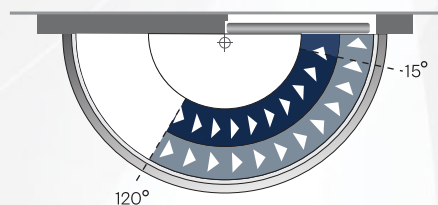
- o Unblemished appearance of prestige doors thanks to concealed installation
- o Compliance with statutory requirements for barrier-free building
- o Universally suitable for single or double doors

For Installers

- o Non-handed system
- o Easy adjustment of the closing strength, closing speed and latch action after hanging of the doors



Closing force diagram, hinge side



Closing Speed

Continuously adjustable closing speed from approx 120° to 15° .

Latching Speed

Continuously adjustable latching speed from 15° to 0° to ensure complete latching.

* All dimensions are in Millimeters



SME OCEANWAYS



DI 831S TURBO

Conceal Door Closer

The integrated solution for prestige doors



Warranty
3 Year

31 mm

Size
5
100 Kg.

Standard Features :-

Versions: With Track arm and Fixing Brackets

Max Door Width: 1250mm

Minimum Door Thickness: 40mm leaf

Maximum Door Thickness: 60mm leaf

Max Door Weight: 100 Kg

Mounting height only 69.5mm

Max Opening Angle: Approx 130 °

Max Hold Open Angle: 130 °

Size: EN6 fixed power strength, adjustable by template

Adjustments: Closing speed and hydraulic latching action valve adjustable

Mounting: For DIN left hand and DIN right hand use

Non-handed

Regular & over door mounting.

Universal fitting

Tested to 500,000 operation cycles.



IS : 3564



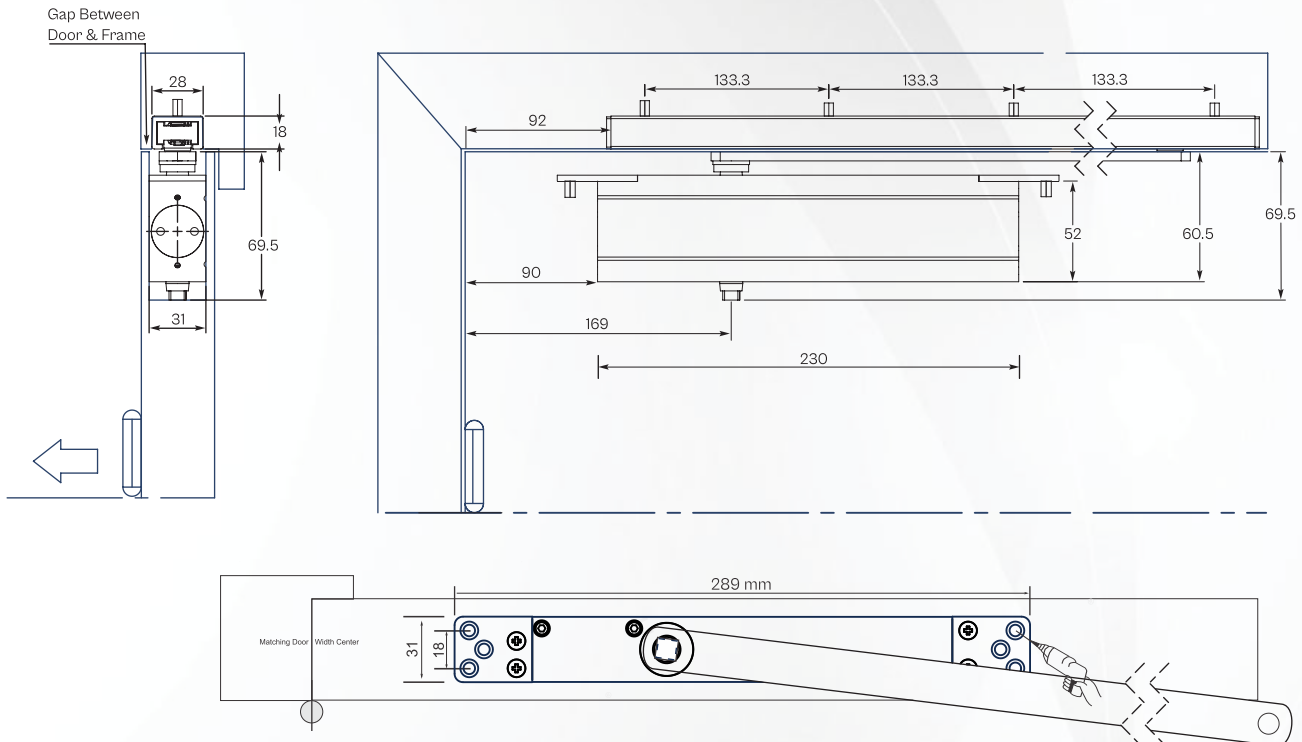
IS : 6315



+91 82175 24980 | smeoceanways@gmail.com | www.smeoceanways.com

Dimensional Details on Hinge Side

DIN left-door, DIN right laterally reversed
Standard mounting, hinge side



Product Specification

Body Dimension :-

Length: 230mm | Width: 31mm | Height: 52mm

Key Advantages :-

For Users

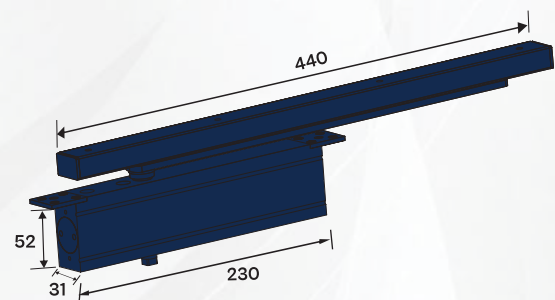
- Optimum protection against vandalism thanks to the concealed installation
- Enhanced user convenience and fully controlled, reliable closing with adjustable latch action
- Free-swing function from a door angle $>0^\circ$, resulting in virtually resistance-free opening the doors in applications requiring passive fire protection

For Sellers

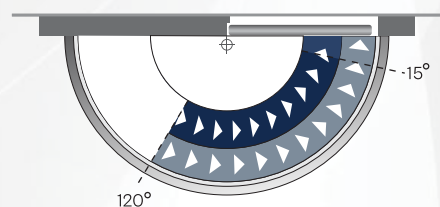
- Unblemished appearance of prestige doors thanks to concealed installation
- Compliance with statutory requirements for barrier-free building
- Universally suitable for single or double doors

For Installers

- Non-handed system
- Easy adjustment of the closing strength, closing speed and latch action after hanging of the doors



Closing force diagram, hinge side



Closing Speed

Continuously adjustable closing speed from approx 120° to 15° .

Latching Speed

Continuously adjustable latching speed from 15° to 0° to ensure complete latching.

* All dimensions are in Millimeters



SME OCEANWAYS



DI 832S KING

Conceal Door Closer

The perfect solution for heavy doors



Warranty
2 Years

30 mm

Size
6
120 Kg.

Standard Features :-

Versions: With Track arm and Fixing Brackets

Max Door Width: 1400mm

Minimum Door Thickness: 38mm leaf

Maximum Door Thickness: 60mm leaf

Max Door Weight: 120 Kg

Mounting height only 69.5mm

Max Opening Angle: Approx 130 °

Max Hold Open Angle: 130 °

Size: EN2 fixed power strength, adjustable by template

Adjustments: Closing speed and hydraulic latching action valve adjustable

Mounting: For DIN left hand and DIN right hand use

Non-handed

Regular & over door mounting.

Universal fitting

Tested to 500,000 operation cycles.



IS : 3564



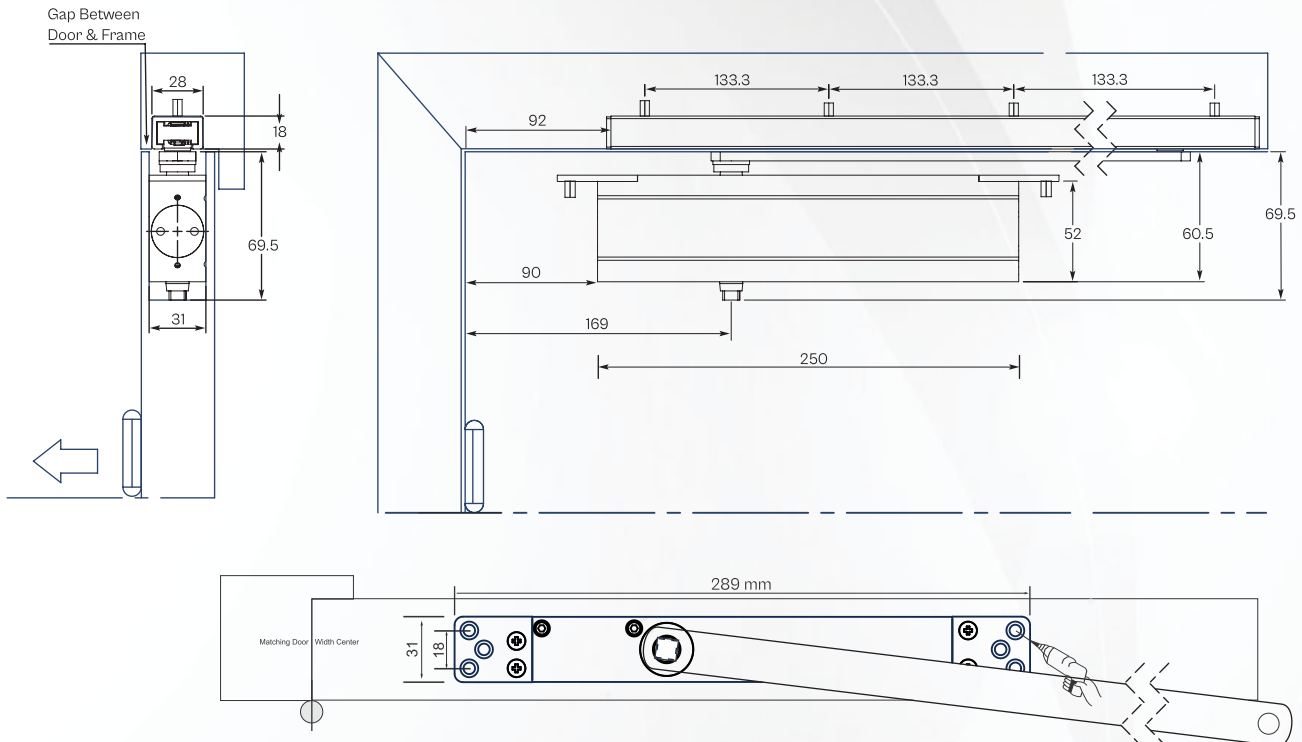
IS : 6315



+91 82175 24980 | smeoceanways@gmail.com | www.smeoceanways.com

Dimensional Details on Hinge Side

DIN left-door, DIN right laterally reversed
Standard mounting, hinge side



Product Specification

Body Dimension :-

Length: 250mm | Width: 31mm | Height: 52mm

Key Advantages :-

For Users

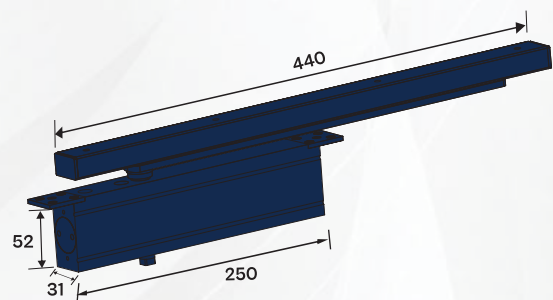
- Optimum protection against vandalism thanks to the concealed installation
- Enhanced user convenience and fully controlled, reliable closing with adjustable latch action
- Free-swing function from a door angle $>0^\circ$, resulting in virtually resistance-free opening the doors in applications requiring passive fire protection

For Sellers

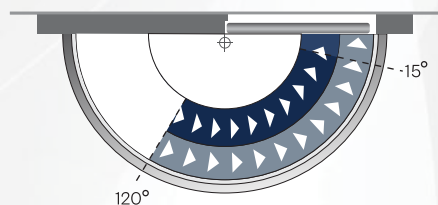
- Unblemished appearance of prestige doors thanks to concealed installation
- Compliance with statutory requirements for barrier-free building
- Universally suitable for single or double doors

For Installers

- Non-handed system
- Easy adjustment of the closing strength, closing speed and latch action after hanging of the doors



Closing force diagram, hinge side



Closing Speed

Continuously adjustable closing speed from approx 120° to 15° .

Latching Speed

Continuously adjustable latching speed from 15° to 0° to ensure complete latching.

* All dimensions are in Millimeters



SME OCEANWAYS



Contact Details :

📞 +91 82175 24980

✉ smeoceanways@gmail.com

🌐 www.smeoceanways.com

📷 [@smeoceanways](https://www.instagram.com/smeoceanways)

📺 [smeoceanways](https://www.linkedin.com/company/smeoceanways)

📘 [Sme Oceanways](https://www.facebook.com/SmeOceanways)