



# PUMPING ELEMENT 1R / 2R

ENGINEERING

1

Ref. No. D11100

Release 08/2002

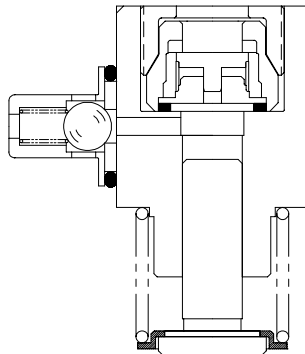
## Description

Pumping Element Assembly for 1R / 2R.

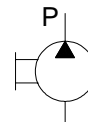
Oil immersed type, open execution, face mounting, valve controlled, fixed delivery.



## Section

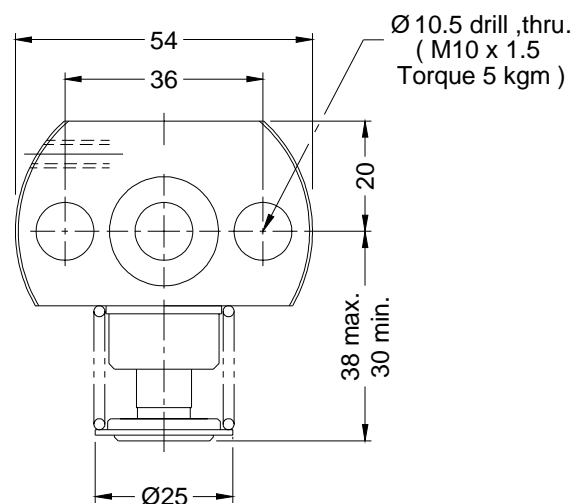
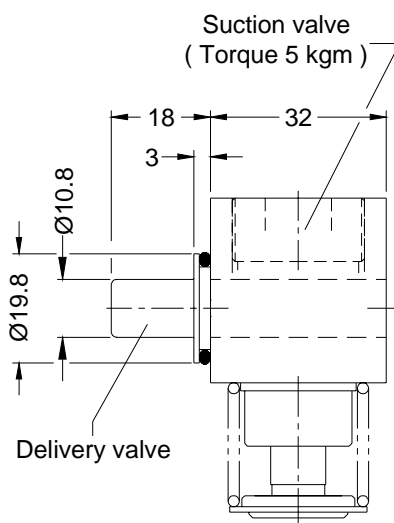
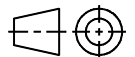


Hydraulic Symbol



## Unit dimension

Dimensions in mm.



**Polyhydron Pvt. Ltd.**  
78-80, Machhe Industrial Estate,  
Machhe. Belgaum - 590 014. INDIA.

**Phone** : +91-(0)831-411001  
**Fax** : +91-(0)831-411002  
**E-mail** : polyhydron@vsnl.com  
**Website** : www.polyhydron.com



# PUMPING ELEMENT 1R / 2R

**ENGINEERING**

**2**

**Ref. No. D11100**

## Technical specification

Designation .....	Pumping Element for 1R / 2R
Design .....	Plunger type, Valve controlled.
Mounting .....	Face mounting.
Interface .....	Factory standard.
Speed range .....	300 to 2000 rpm.
Hydraulic medium .....	Mineral oil.
Viscosity range .....	10 to 100 cSt.
Optimum Viscosity range .....	16 to 32 cSt.
Temperature range .....	-10 °C to +80 °C.
	(Do not exceed viscosity limits at extreme temperatures for efficient running of the pump)
Fluid cleanliness requirement .....	As per ISO Code 16/13.
Performance .....	Refer Table No. 1.
Mass .....	0.4 kg.

## Ordering code

1R | A | 01

Pumping element for  
1R/2R Pumps.

Design code subject to change,  
Installation dimensions remain  
same for design code 01 thru 09.

Type of element		
Flow and pressure rating A thru F		
Operating Pressure bar	Geometrical displacement. ( cc/stroke )	code No.
550	0.40	A
450	0.63	B
350	0.90	C
300	1.06	D
250	1.23	E
200	1.40	F



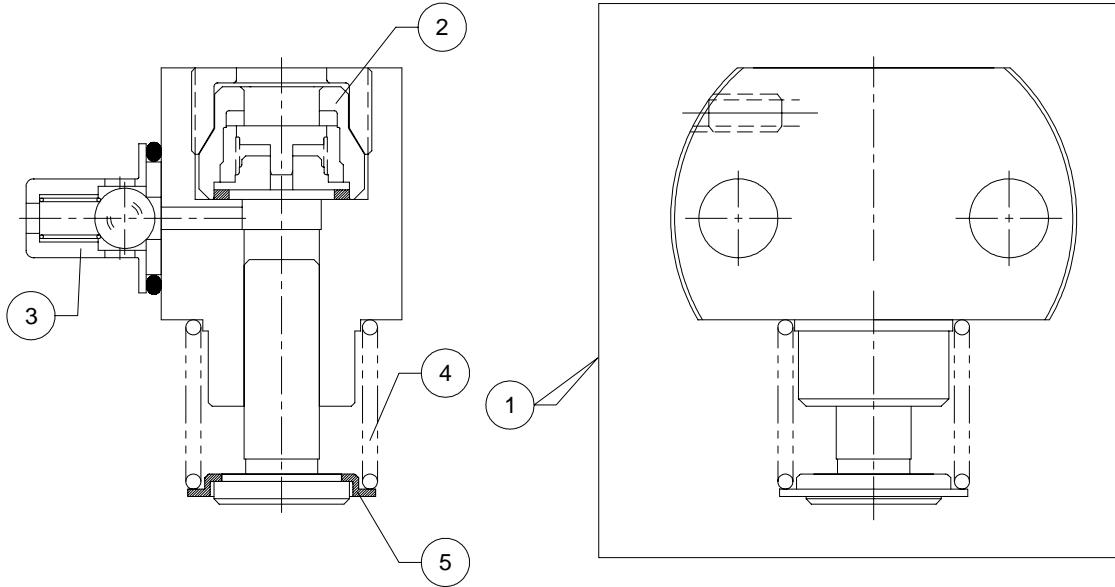
PUMPING ELEMENT  
1R / 2R

SERVICE

3

Ref. No. D11100

Sectional View and Spare Part details



Sl.No.	Description	Product / Part No.						Qty
1	Cylinder Assembly	1R-A-01	1R-B-01	1R-C-01	1R-D-01	1R-E-01	1R-F-01	1
2	Suction Valve Assembly	SV1R-A-01	SV1R-BC-01		SV1R-DEF-01			1
3	Delivery Valve Assembly	DVR-30						1
4	Piston Spring	Part No. 11115						1
5	Piston Spring Retainer	Part No. 11116						1



**PUMPING ELEMENT  
1R / 2R**

**SERVICE**

**4**

**Ref. No. D11100**