



# PUMPING ELEMENT 11R / 12R

ENGINEERING

1

Ref. No. D12100

Release 01/2009

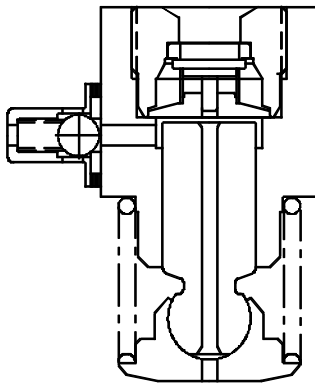
## Description

Pumping Element Assembly for 11R / 12R.

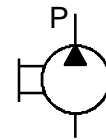
Oil immersed type, open execution, face mounting, valve controlled, fixed delivery.



## Section

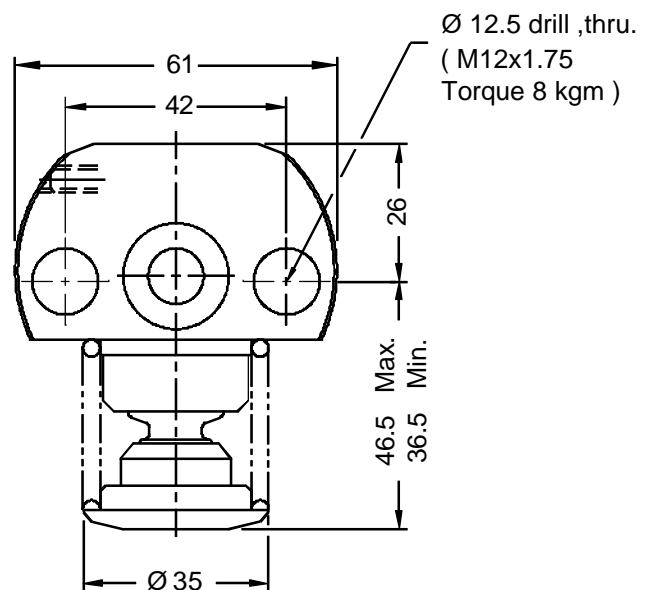
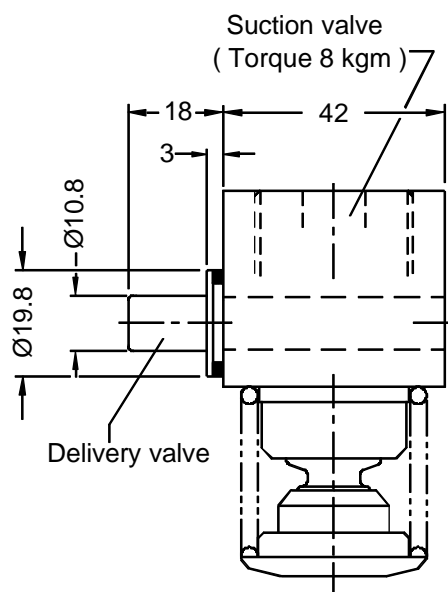
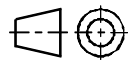


Hydraulic Symbol



## Unit dimension

Dimensions in mm.



**Polyhydron Pvt. Ltd.**  
78-80, Machhe Industrial Estate,  
Machhe. Belgaum - 590 014. INDIA.

**Phone** : +91-(0)831-2411001  
**Fax** : +91-(0)831-2411002  
**E-mail** : polyhydron@gmail.com  
**Website** : www.polyhydron.com



**PUMPING ELEMENT  
11R / 12R**

**ENGINEERING**

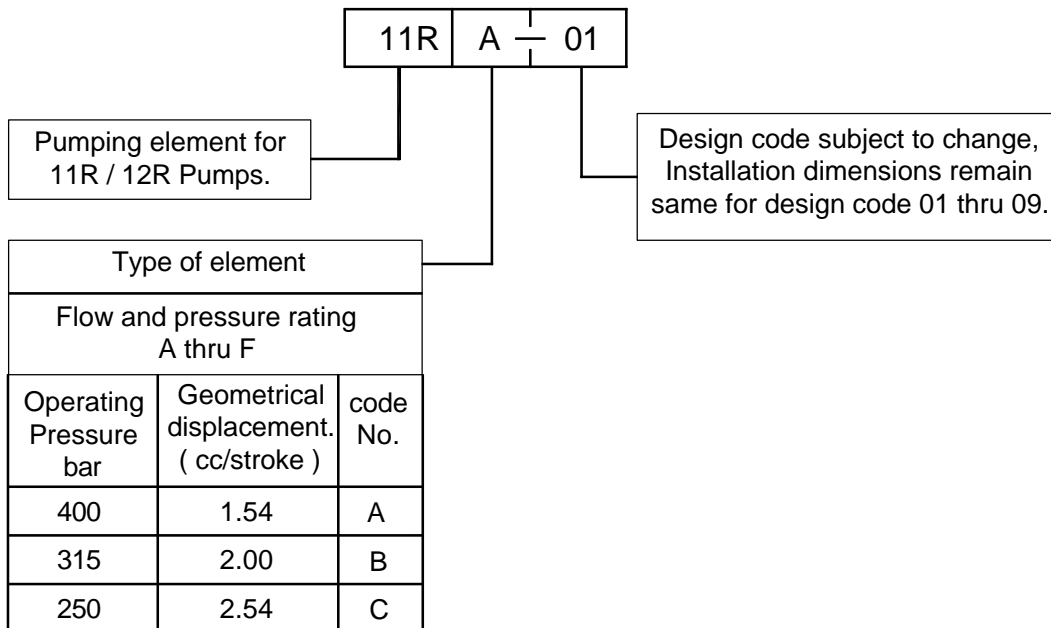
**2**

**Ref. No. D12100**

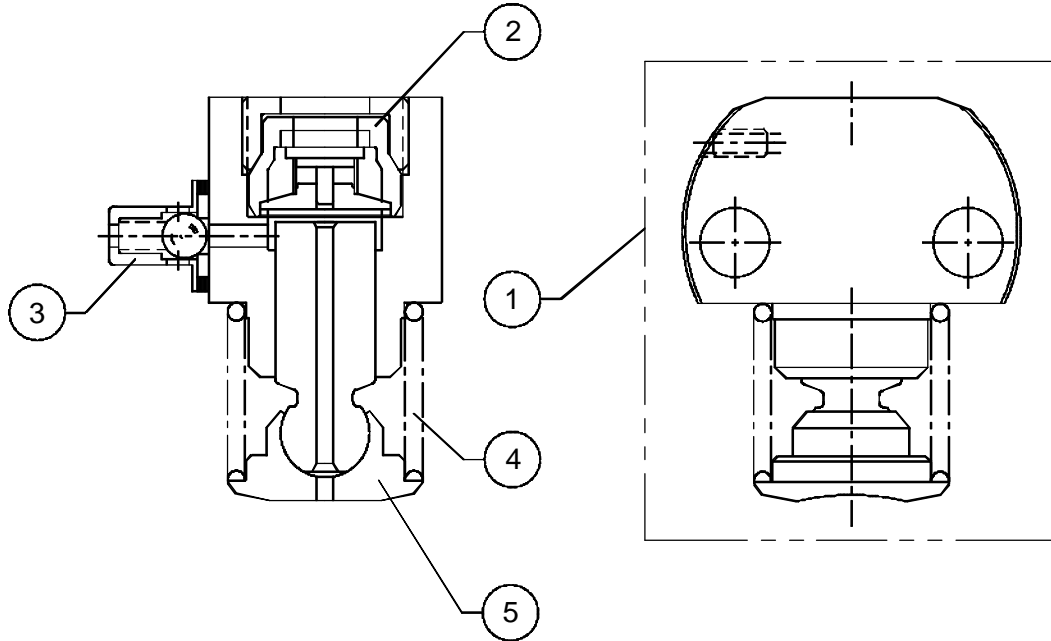
**Technical specification**

Designation .....	Pumping Element for 11R / 12R
Design .....	Plunger type, Valve controlled.
Mounting .....	Face mounting.
Interface .....	Factory standard.
Speed range .....	300 to 2000 rpm.
Hydraulic medium .....	Mineral oil.
Viscosity range .....	10 to 100 cSt.
Optimum Viscosity range .....	16 to 32 cSt.
Temperature range .....	-10 °C to +80 °C.
	(Do not exceed viscosity limits at extreme temperatures for efficient running of the pump)
Fluid cleanliness requirement .....	As per ISO Code 16/13.
Performance .....	Refer Table No. 1.
Mass .....	0.7 kg.

**Ordering code**



Sectional View and Spare Part details



Sl.No.	Description	Product / Part No.			Qty.
1	Cylinder Assembly	11R-A-01	11R-B-01	11R-C-01	1
2	Suction Valve Assembly	SV11R-01			1
3	Delivery Valve Assembly	DVR-30			1
4	Piston Spring	Part No. 12111			1