



RELIEF CUM UNLOADING COVER CVC*U

ENGINEERING

1

Ref. No. P03419

Release 08/2002

Description

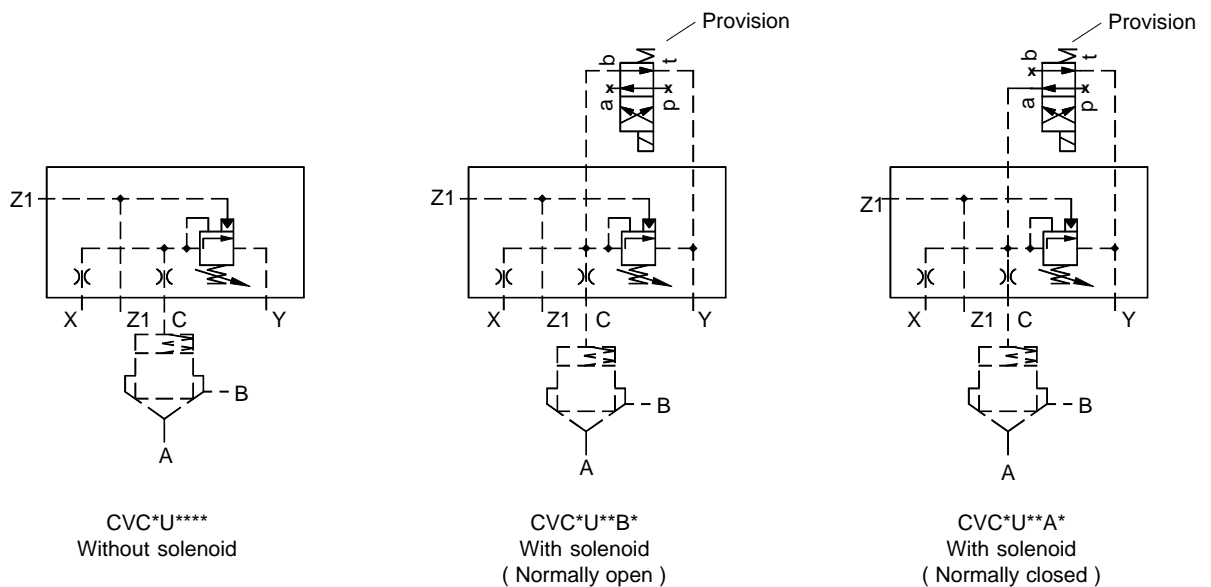
Designed to control opening & closing of the cartridge valve.

Normally used for unloading function.

Provision for solenoid unloading. (Normally open or normally closed)



Hydraulic Symbol



Polyhydron Pvt. Ltd.
78-80, Machhe Industrial Estate,
Machhe, Belgaum - 590 014. INDIA.

Phone : +91-(0)831-411001
Fax : +91-(0)831-411002
E-mail : polyhydron@vsnl.com
Website : www.polyhydron.com

P03419



RELIEF CUM UNLOADING COVER CVC*U

ENGINEERING

2

Ref. No. P03419

Unit dimension

Dimensions in mm.

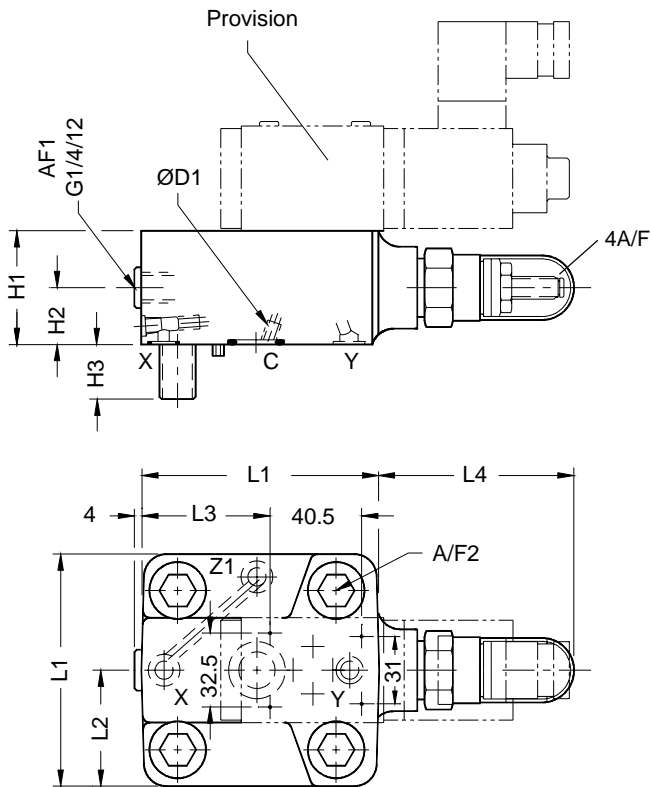
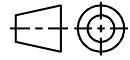


Table 1

Size	16	25	32	40
L1	65	85	102	125
L2	32.5	42.5	51	--
L3	27	40	53.7	--
L4	85	81.5	83.5	--
H1	51	52	50	60
H2	30	30	25	--
H3	12	18	24	30
ØD1	M6 (0.8)	M6 (0.8)	M6 (1.0)	--
A/F1	6	6	6	6
A/F2	6	10	14	17

Size	Cover fixing S.H.C. screw (10.9)	Tightening torque
16	M8, 40 long.	3.2 da Nm.
25	M12, 45 long.	11 da Nm.
32	M16, 55 long.	27 da Nm.
40	M20, 70 long.	52 da Nm.

Note :

Mounting interface as per ISO 7368.

Ordering code

CVC 16 U S 100 A 15

Cartridge valve cover

Size 16, 25, 32 & 40.

Relief cum unloading cartridge

Set screw S

Hand Knob H

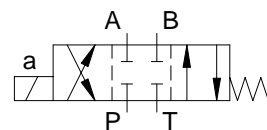
Pressure rating bar
25, 50, 100, 200, 315 and 400.

Design code subject to change. Installation dimensions remain same. for design code 10 thru 19.

A	Solenoid unloading valve normally closed.
B	Solenoid unloading valve normally opened.
Omit, if not required.	

Note : Solenoid (refer spool type) to be ordered separately.

Spool type





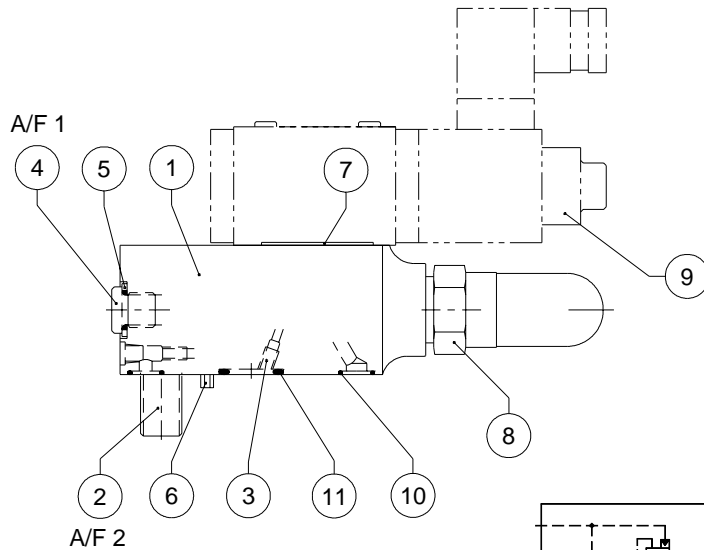
**RELIEF CUM
UNLOADING COVER
CVC*U**

SERVICE

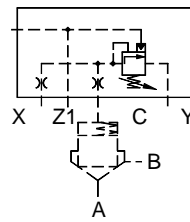
3

Ref. No. P03419

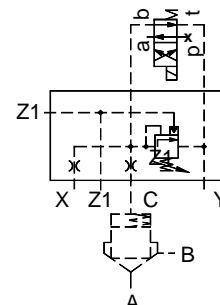
Part Details



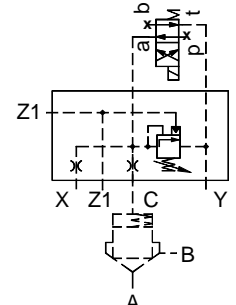
Hydraulic Symbol



CVC*U****
Without solenoid



CVC*U**B*
With solenoid
(Normally open)



CVC*U**A*
With solenoid
(Normally closed)

Sl.no.	Description	Qty	Size 16	Size 25	Size 32	Size 40	
1	Cover	1	--	--	--	--	
2	S.H.C.Screw (12.9)	4	M8x1.25	M12x1.75	M16x2	M20x2.5	
3	Provision for orifice	2	M6x10 deep	M6x10 deep	M6x10 deep	M8x10 deep	
4	Socket head plug	1	G 1/4	G 1/4	G 1/4	G 1/4	
*	5	Bonded seal	1	G 1/4	G 1/4	G 1/4	G 1/4
	6	Dowel pin	1	--	--	--	--
	7	Name plate	1	--	--	--	--
	8	Relief / unloading cartridge	1	DPRUS06K*	DPRUS06K*	DPRUS06K*	DPRUS06K*
	9	Soln. D.C.Valve	1	--	--	--	--
*	10	O' ring	3	7.5 x 1.8	9.25 x 1.8	10.6 x 1.8	12.5 x 1.8
*	11	O' ring	1	12.5 x 1.8	15.55 x 2.62	20 x 2.65	23 x 2.65
Tools required							
A/F1	Wrench key	--	6	6	6	6	
A/F2	Wrench key	--	6	10	14	17	

Note :

* Recommended seal kit.

While ordering the individual spares / seal kit, give part no.& complete details of model code as on the label.



RELIEF CUM
UNLOADING COVER
CVC*U

SERVICE

4

Ref. No. P03419

All rights reserved.
Subject to revision.