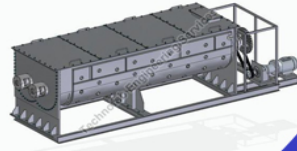


TECHNOFAB ENGINEERING SERVICES

was established in the year 1991 at Navsari (Gujarat) as a Manufacturer, Exporter and Engineering Services Provider. Mr. Sudhir R. Naik, the CEO of the company, has led the company to attain never before heights. We are currently serving the market of Middle East, African countries and Vietnam industries in India.



PRODUCT

Engineered System

Material Handling Equipment

Other Products



+91-9824010100, 08048778039

 technofabengineering.net

Technofab Engineering Services was established in the year 1991 at Navsari (Gujarat) as a Manufacturer, Exporter and Engineering Services Provider. Mr. Sudhir R. Naik, the CEO of the company, has led the company to attain never before heights. We are currently serving the market of Middle East, African countries and Vietnam industries in India. With an experienced work force, quality products, and contemporary technology we have achieved of what only few can think.

● Why us ?

We stand for performance, quality, flexibility, reliability and after sales services. We work with complete technical solutions. We have sufficient technical knowledge as backed with experience and qualification, which help us to serve our client in a desirable way. We are customer-oriented company and thus take care of every major or minor requirement of our clients.

● Infrastructure

Backed with strong infrastructure, we are equipped with advanced machinery and equipment to develop high quality products. We make sure the our products are manufactured matches with the international standards for better performance and working life.

● Quality Assurance

Being a quality concious company,we offer quality range of products to the clients. We ensure the quality of our products by testing them on different parameters in order to maintain high quality standards. Our team of experts check the products under their strict vigilance at each stage of production so that the quality products reaches to the market.

Name of CEO
Mr. Sudhir R Naik

Nature of Business
Manufacturer & Exporter

Market Covered
Middle East, African countries and Vietnam

Year of Establishment
1991



**AGITATED NUTSCHE FILTER DRYER
(REMOVABLE TYPE)**



AGITATED THIN FILM DRYER (NEW)



CHAIN-DRAG CONVEYOR



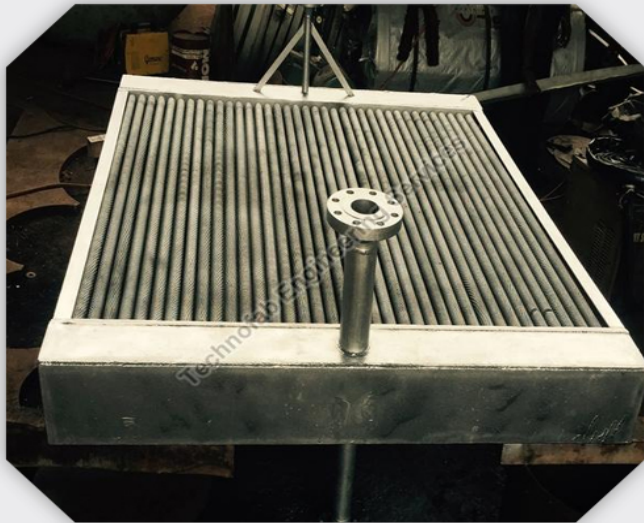
CLOSED LOOP COOLING TOWER



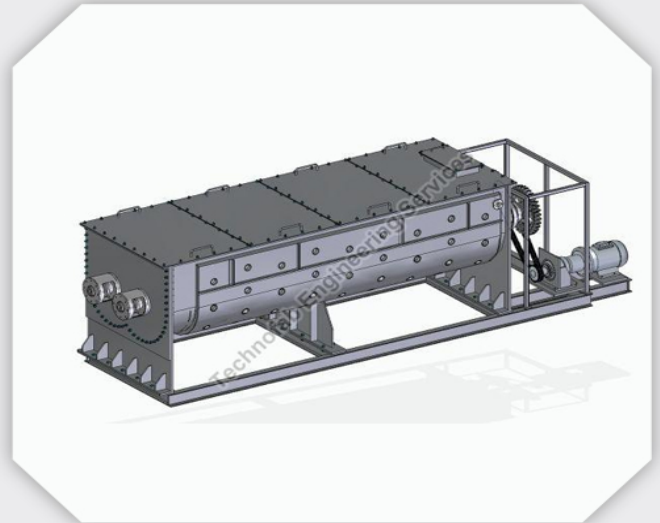
CONTRA ROTARY MIXER



CONTRA ROTARY MIXER & DRYER



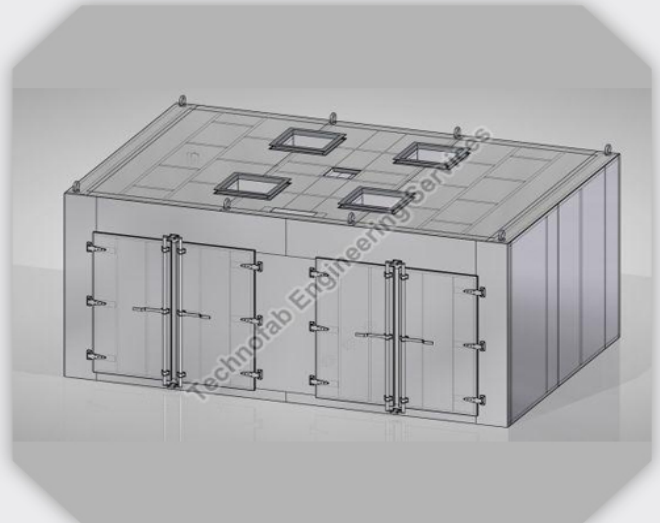
FIN TUBE HEAT EXCHANGERS



HORIZONTAL PADDLE DRYER



PADDLE DRYERS



PTFE OVEN (TRAY DRYER)



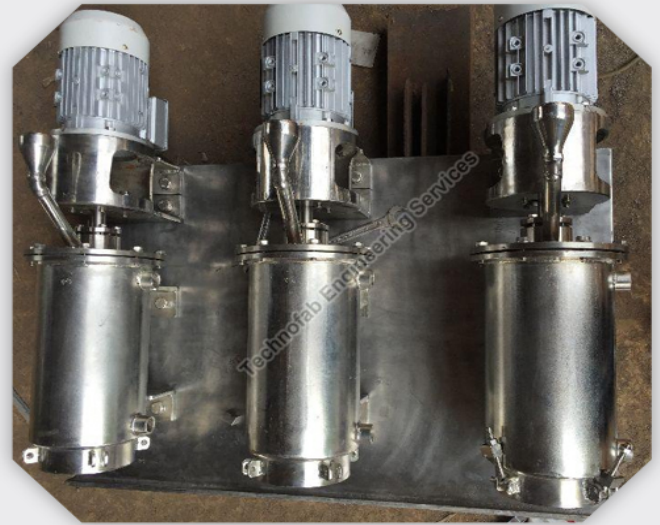
ROTARY VACUUM DRYER



VACUUM EXTRACTOR



VERTICAL DRYER (NAUTA DRYER)



WET GRINDING MACHINES



PET RECYCLING SYSTEM



CENTRIFUGAL BLOWER



FLAKER



PNEUMATIC CONVEYING SYSTEM



SCREW CONVEYORS



RIBBON BLANDER



FRACTIONAL DISTILLATION COLUMNS



UNDERGROUND STORAGE TANK



HYDROGENATOR WITH MAGNETIC DRIVE



PEARL MILL



HEAT RECOVERY UNIT



CHEMICAL REACTOR



HEAT EXCHANGERS



AGITATED NUTSCHE FILTER DRYER



AGITATION SYSTEM FOR CHEMICAL REACTIONS

 **CONTACT PERSON**

Sudhir Naik

 **ADDRESS**

482, Gidc Phase II, Kabilpore, Navsari, Gujarat, India - 396424

 **Phone No**

+91 6353338525

 **Call Us**

+91-9824010100, 08048778039

 **Fax**

+91-2637-265024

 **Email ID**

technofabengineering.net

 **WEBSITE**

www.technofabengineering.net

 **WEBPAGE**

www.exportersindia.com/technofabengineering/

