



LightSpot HD Switching PIR Sensors

A range of high performance PIR sensors for dependable switching of lighting loads.

High definition lenses, performance optics and software are all optimised to provide class leading sensitivity and occupancy detection ensuring that the lights are always on when required.

QuickAnalytics enables greater energy saving and enhances user comfort through the precise monitoring and analysis of sensor activity data.

Features and benefits

- High sensitivity occupancy detection
- Integrated daylight sensing
- Quick, easy commissioning with wireless programming tools
- Mid-Bay & Hi-Bay variants - for greater mounting heights (up to 16m)
- QuickAnalytics (via QuickSet Pro) helps maximise and verify your energy savings
- Absence & Presence mode operation
- Simple installation with pluggable, colour-coded connectors and automatic absence mode operation when a switch input is detected
- Flush and surface mount options
- UltraLite LCM installation option via a range of pre-wired leads/ connectors – sold separately



Applications

- Commercial Offices
- Education
- Healthcare
- Hospitality
- Industrial

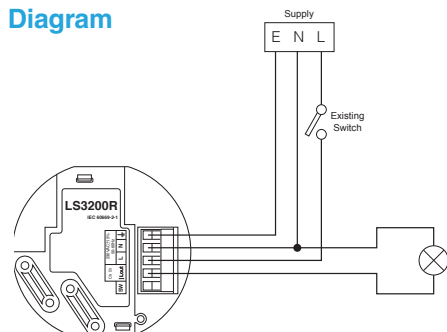
Technical Data

Technology	PIR
Coverage	360° (Range detailed overleaf)
Operating Voltage	230V +/- 15% 50/60 Hz Recommended Circuit Protection 16A MCB
Power Consumption	Load On 500mW Load Off 150mW
Load Rating	LS3100 6A LS3200 10A Max Inrush Current 80A
Operating Temperature	0° C to 40° C
Storage Temperature	-20° C to 80° C
Humidity	20% to 80% non-condensing
Fascia Colour	White (RAL9010)
Weight	Flush 121g Surface 215g
Material	Flame retardant PC/ABS
IP Rating	IP4x (IP55 LS3200RIP, LS3100RHBIP & LS3100RMBIP)
Conformity	EMC-2004/108/EC LVD – 2006/95/EC RoHS-2011/65/EU

Products

	Flush Mount (add suffix 'F' to part no)	Surface Mount (add suffix 'SM' to part no)	Switching (10A)	Switching (6A)	Manual "OneSwitch"	Programmable Manual Switch Input	IP55	Office	Mid-Bay	Hi-Bay	QuickLink	Quick Analytics
LS3100R	•	•	•	•	•							
LS3100RMB	•	•	•	•	•				•			
LS3100RHB	•	•	•	•	•					•		
LS3100RMBIP	•	N/A	•	•	•		•		•			
LS3100RHBIP	•	N/A	•	•	•		•			•		
LS3200R	•	•	•	•		•		•				•
LS3200RIP	•	N/A	•	•		•		•				•
LS3200RMB	•	•	•	•		•			•			•
LS3200RHB	•	•	•	•		•			•			•
Note: The following QuickLink Master sensors offer additional features incl dimming (see separate data sheet)												
LS3243R	•	•	•	•		•		•			•	•
LS3243RMB	•	•	•	•		•			•		•	•
LS3243RHB	•	•	•	•		•			•		•	•

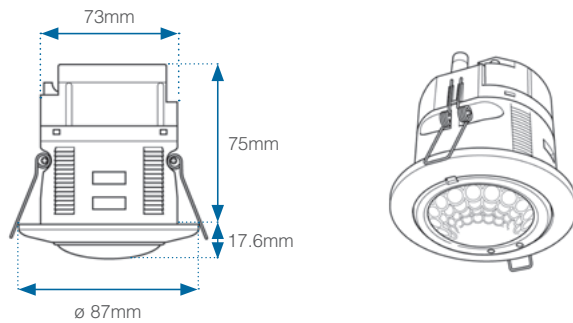
Connection Diagram



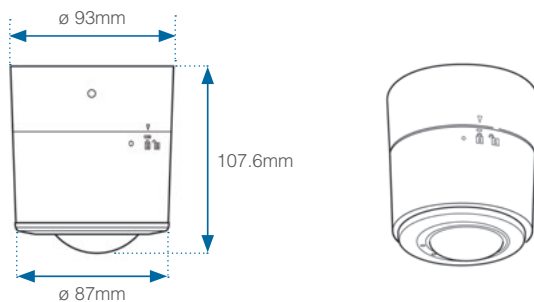
Key Programmable Parameters

	LS3100R (All variants)	LS3200R (All variants)	Defaults
Occupancy Timeout	5 Sec to ∞	5 Sec to ∞	20 Mins
Photocell Operation	Enabled/Disabled	Enabled/Disabled	Enabled
Photocell Turn ON Level	100 – 1000 Lux	100 – 1000 Lux	350 Lux
Photocell Turn OFF Level	Up to 6 x ON Level 100 – 1000 Lux	Up to 6 x ON Level 100 – 1000 Lux	800 Lux
Power-up State	Occupied/Unoccupied	Occupied/Unoccupied	Occupied
Movement Sensitivity	Low/Med/High/Max	Low/Med/High/Max	Max
Indicator LEDs	Enabled/Disabled	Enabled/Disabled	Disabled
Trigger Mode	Presence/Absence	Presence/Absence/ Auto absence	Presence
Setback Sensitivity	N/A	20% to 100%	100%

Flush Mount



Surface Mount



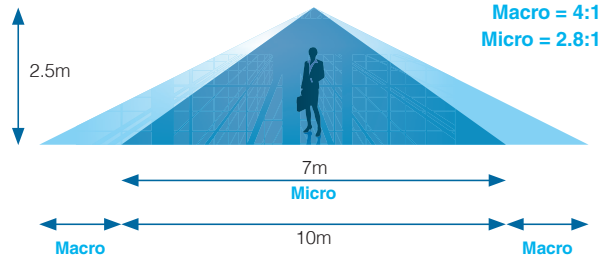
LightSpot HD Switching PIR Sensors

LS3100RF	LightSpot HD Switching Sensor Flush Mount
LS3100RSM	LightSpot HD Switching Sensor Surface Mount
LS3100RMBF	LightSpot HD Mid-Bay Switching Sensor Flush Mount
LS3100RMBSM	LightSpot HD Mid-Bay Switching Sensor Surface Mount
LS3100RMBIPF	LightSpot HD IP55 Mid-Bay Switching Sensor Flush Mount
LS3100RHBF	LightSpot HD Hi-Bay Switching Sensor Flush Mount
LS3100RHBSM	LightSpot HD Hi-Bay Switching Sensor Surface Mount
LS3100RHBIPIF	LightSpot HD IP55 Hi-Bay Switching Sensor Flush Mount
LS3200RF	LightSpot HD Switching Sensor with Manual Override Flush Mount
LS3200RSM	LightSpot HD Switching Sensor with Manual Override Surface Mount
LS3200RIPF	LightSpot HD IP55 Switching Sensor with Manual Override Flush Mount
LS3200RMBF	LightSpot HD Mid-Bay Switching Sensor with Manual Override Flush Mount
LS3200RMBSM	LightSpot HD Mid-Bay Switching Sensor with Manual Override Surface Mount
LS3200RHBF	LightSpot HD Hi-Bay Switching Sensor with Manual Override Flush Mount
LS3200RHBSM	LightSpot HD Hi-Bay Switching Sensor with Manual Override Surface Mount
LS3243RF	LightSpot HD QuickLink Master Switching Sensor with Lens Tilting and Low Power Flush Mount
LS3243RSM	LightSpot HD QuickLink Master Switching Sensor with Lens Tilting and Low Power Surface Mount
LS3243RMBF	LightSpot HD Mid-Bay QuickLink Master Switching Sensor with Lens Tilting and Low Power Flush Mount
LS3243RMBSM	LightSpot HD Mid-Bay QuickLink Master Switching Sensor with Lens Tilting and Low Power Surface Mount
LS3243RHBF	LightSpot HD Hi-Bay QuickLink Master Switching Sensor with Lens Tilting and Low Power Flush Mount
LS3243RHBSM	LightSpot HD Hi-Bay QuickLink Master Switching Sensor with Lens Tilting and Low Power Surface Mount

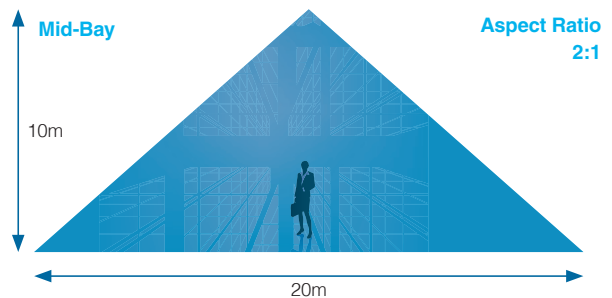
Sensing Data

	Aspect ratio (diameter: height)		
Type	Micro Detection - High Sensitivity	Macro Detection - Standard Sensitivity	Max recommended mounting height
Office	2.8:1 (7m diameter @ 2.5 height)	4:1 (10m diameter @ 2.5m height)	3.5m
Mid-Bay	N/A	2:1 (20m diameter @ 10m height)	12m
Hi-Bay	N/A	1.9:1 (27m diameter @ 14m height)	16m

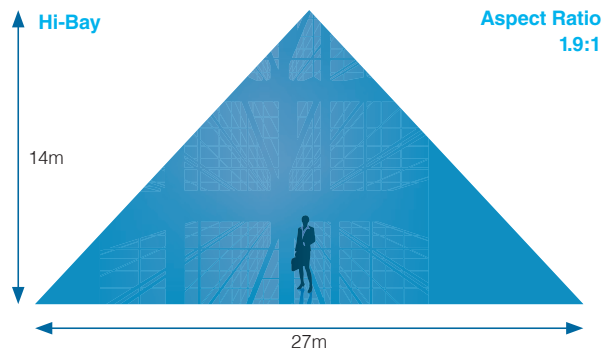
Standard Mount



Mid-Bay



Hi-Bay



LightSpot HD Tools

QuickControl	LightSpot HD Infrared User Controller
QuickSet	LightSpot HD Infrared Programming Tool
QuickSet Pro	LightSpot HD Digital 2 Way Programming Tool

LightSpot HD Accessories

SURFMT	LightSpot HD Surface Mount Kit
LOCKRING	LightSpot HD Secure Flush Mount Adaptor