

### High Chrome Bricks :

High chrome brick is made of corundum and fused chromium oxide as the main refractory raw materials, together with additives such as fine powder, which are kneaded, formed, dried and fired at a high temperature in a shuttle kiln. High chrome bricks have good properties of excellent thermal shock stability and high temperature creep performance. There are high quality high chrome bricks for sale cheap in MMTPL can provide standard high chrome brick size specification and category as well as competitive price & high-grade quality high chrome bricks products, other specification and size of high chrome bricks according to customer requirements, welcome to Contact US or email us for free quote or price list.

### High Chrome Bricks Application :

High chrome bricks are mainly used in the chemical chemical industry, chemical industry furnaces, alkali-free glass fiber furnaces, the key parts of waste incinerators. Water based slurry pressurized gasifier and other related reducing atmosphere industrial furnace working lining.

### High Chrome Bricks Properties

- ✓ Acid corrosion resistance.
- ✓ Excellent thermal shock resistance.
- ✓ High temperature resistance/ stability.
- ✓ Alkali corrosion resistance.
- ✓ Excellent wear resistance
- ✓ High temperature strength

### High Chrome Bricks Specification

Item		MRS-75	MRS-85	MRS-90	MRS-95
Cr2O3	%	75	85	90	95
Cr2O3+Al2O3+Zr2O3	%	98	98	98	98
SiO2	%	0.2	0.2	0.2	0.2
Fe2O3	%	0.3	0.3	0.3	0.3
K2O+Na2O	%	0.2	0.2	0.2	0.2
Apparent Porosity	%	18	18	16	16
Bulk Density	g/cm <sup>3</sup>	3.9	4.2	4.22	4.25
Cold crushing Strength	Mpa	120	120	120	120



**High Chrome Brick**

### REG. OFFICE :

Janak, Mahavir Society, B/h Jethwa Hostel, Porbandar-360575, India

### AHMEDABAD :

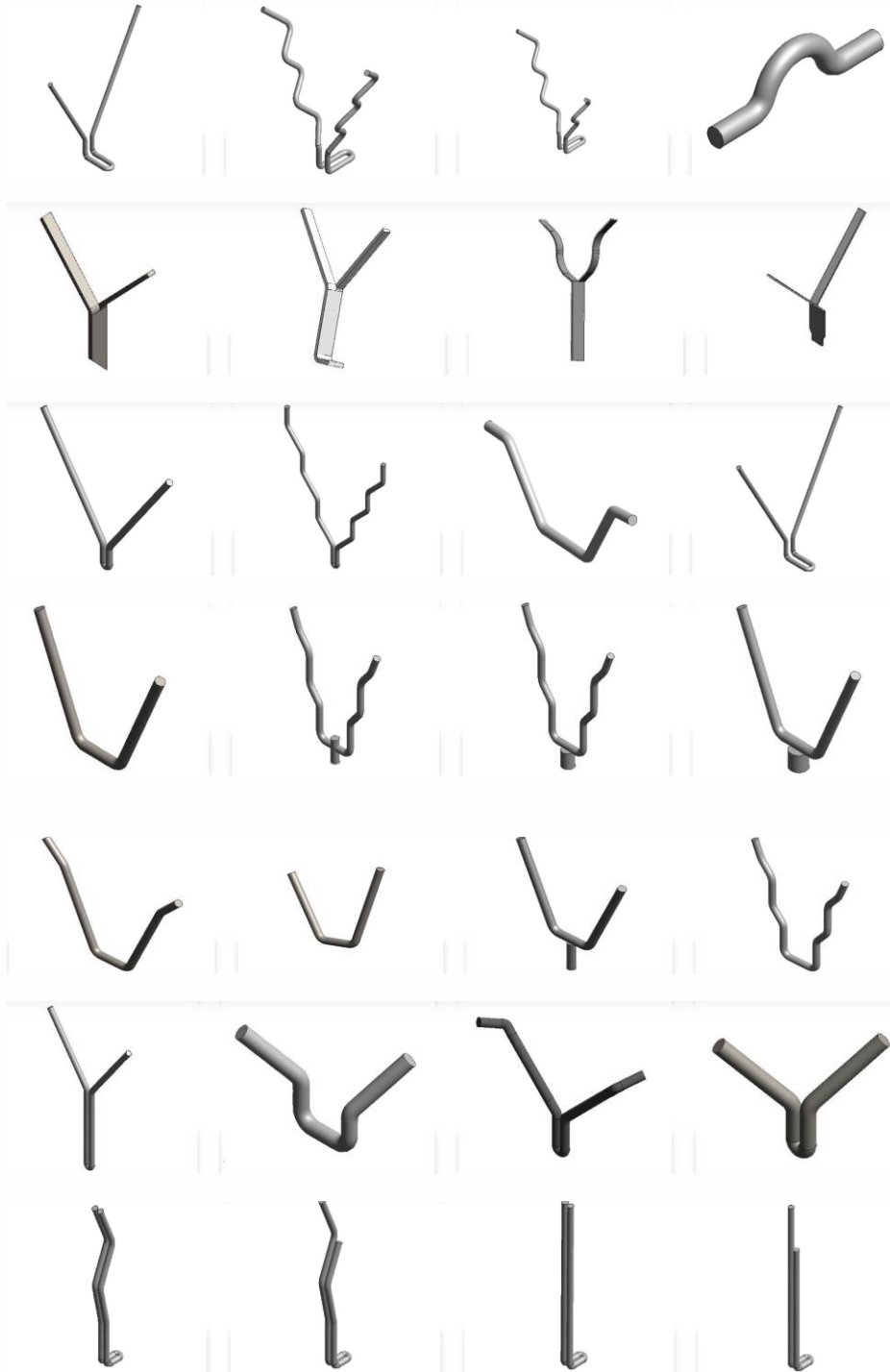
E/3/122, Orchid Heaven, Apple Wood, S P Ring Road, Ahmedabad-380058. Gujarat, India.

Email: Millenniumpbr@yahoo.com, Millenniummultitrade@gmail.com

www.mmtplindia.com, www.millenniempbr.co.in

**MOBILE : +91 9825243130, +91 9925153130**

## ANCHOR FOR REFRACTORY CASTABLES



**REG. OFFICE :**

Janak, Mahavir Society, B/h Jethwa Hostel, Porbandar-360575, India

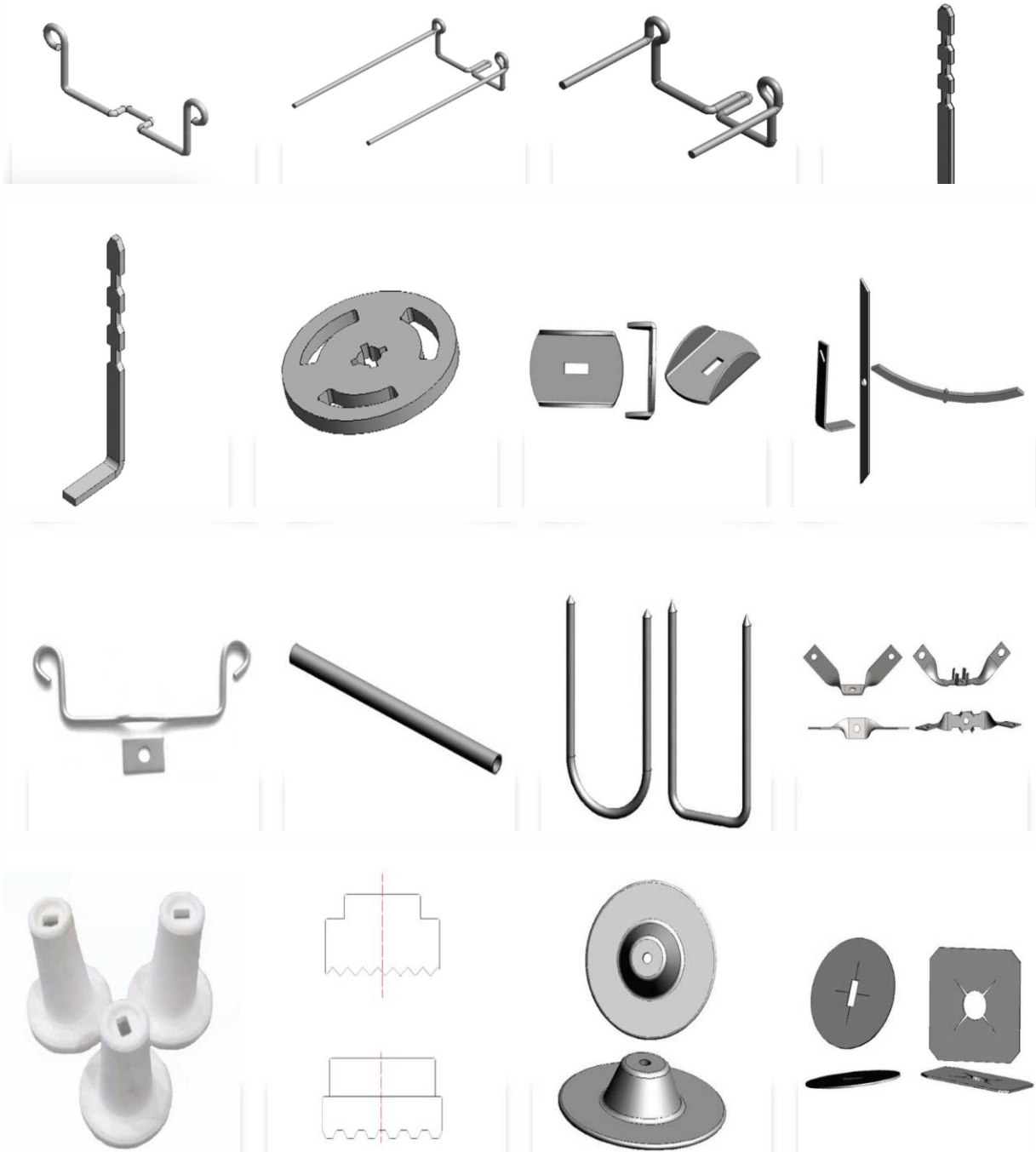
**AHMEDABAD :**

E/3/122, Orchid Heaven, Apple Wood, S P Ring Road, Ahmedabad-380058. Gujarat, India.

Email: Millenniumpbr@yahoo.com, Millenniummultitrade@gmail.com

www.mmtplindia.com, www.millenniempbr.co.in

## ANCHOR FOR CERAMIC FIBERS



### REG. OFFICE :

Janak, Mahavir Society, B/h Jethwa Hostel, Porbandar-360575, India

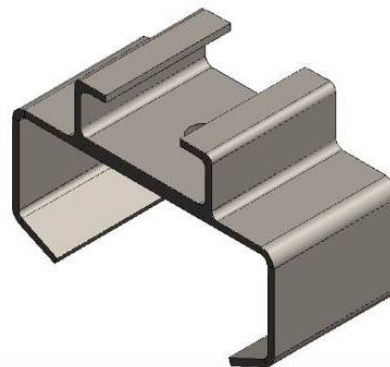
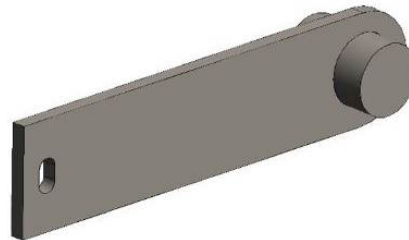
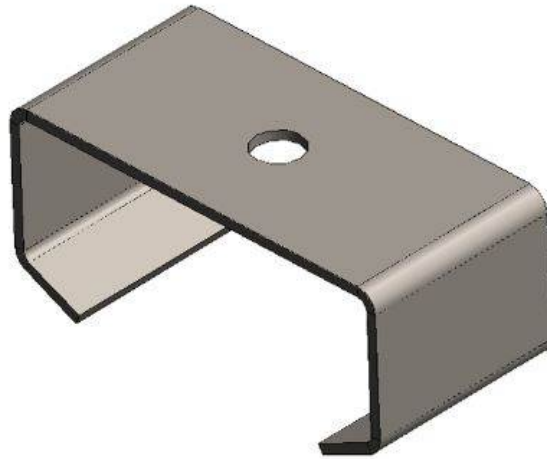
### AHMEDABAD :

E/3/122, Orchid Heaven, Apple Wood, S P Ring Road, Ahmedabad-380058. Gujarat, India.

Email: Millenniumpbr@yahoo.com, Millenniummultitrade@gmail.com

www.mmtplindia.com, www.millenniempbr.co.in

## ANCHOR FOR REFRACTORY BRICKS



### REG. OFFICE :

Janak, Mahavir Society, B/h Jethwa Hostel, Porbandar-360575, India

### AHMEDABAD :

E/3/122, Orchid Heaven, Apple Wood, S P Ring Road, Ahmedabad-380058. Gujarat, India.

Email: Millenniumpbr@yahoo.com, Millenniummultitrade@gmail.com

www.mmtplindia.com, www.millenniempbr.co.in