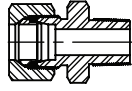
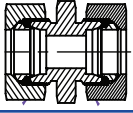
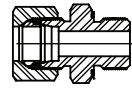
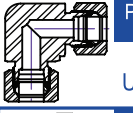
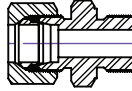

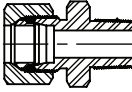


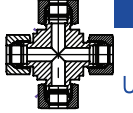
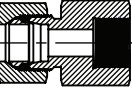

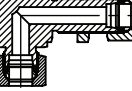
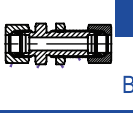
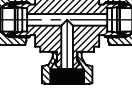
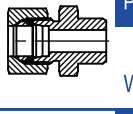

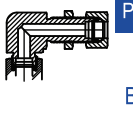

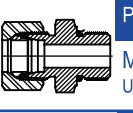


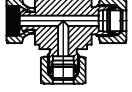
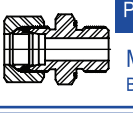

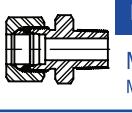
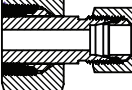


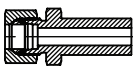
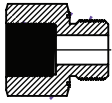
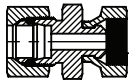
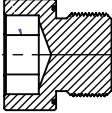
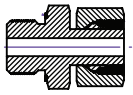
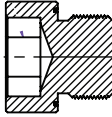
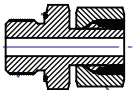
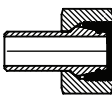
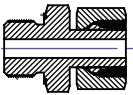
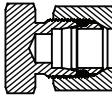
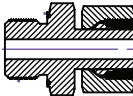

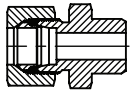
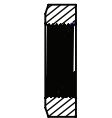
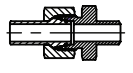
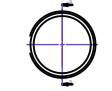

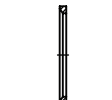
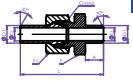
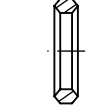
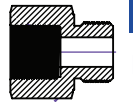
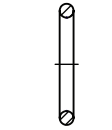
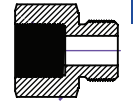
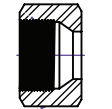
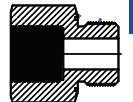
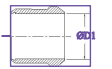
INDEX

**HYDRAULIC
FITTINGS**

Page #4 to 12 TECHNICAL INFORMATION		Page #22 ACI/HF/MC-M MALE CONNECTOR Metric Parallel
 Page #13 ACI/HF/U UNION		Page #23 ACI/HF/MC-GED MALE CONNECTOR BSP Parallel with ED ring
 Page #13 ACI/HF/UE UNION ELBOW		Page #24 ACI/HF/MC-MED MALE CONNECTOR Metric Parallel with ED-ring
 Page #14 ACI/HF/RU REDUCING UNION		Page #25 ACI/HF/MC-G MALE CONNECTOR NPT Thread
 Page #15 ACI/HF/UT UNION TEE		Page #26 ACI/HF/ME-R/MT MALE ELBOW BSP Tapered / Metric Tapered
 Page #15 ACI/HF/JC UNION CROSS		Page #27 ACI/HF/FC-G/M FEMALE CONNECTOR BSP Parallel / Metric Parallel
 Page #16 ACI/HF/RT REDUCING TEE		Page #28 ACI/HF/ME ADJUSTABLE ELBOW with Standpipe
 Page #17 ACI/HF/UT BULKHEAD UNION		Page #28 ACI/HF/ABT ADJUSTABLE BRANCH TEE with Standpipe
 Page #17 ACI/HF/WBU WELD BULKHEAD UNION		Page #29 ACI/HF/ART ADJUSTABLE RUN TEE with Standpipe
 Page #18 ACI/HF/BUE BULKHEAD UNION ELBOW		Page #29 ACI/HF/SAE SWIVEL ADJUSTABLE ELBOW with Cone
 Page #19 ACI/HF/MC-UC-MO MALE CONNECTOR UNF / Metric Parallel with O-ring		Page #30 ACI/HF/SLBT SWIVEL BRANCH TEE with Cone
 Page #20 ACI/HF/MC/R-UO MALE CONNECTOR BSP Tapered / BSP Parallel		Page #30 ACI/HF/SLRT SWIVEL RUN TEE with Cone
 Page #21 ACI/HF/MC/R MALE CONNECTOR BSP Parallel		Page #31 ACI/HF/SLU SWIVEL UNION with Cone
 Page #22 ACI/HF/MC-UT MALE CONNECTOR Metric Tapered		Page #32 ACI/HF/R-SP REDUCER Standpipe

INDEX

**HYDRAULIC
FITTINGS**

	Page #34 ACI/HF/R-TS REDUCER Tube to Stub		Page #43 ACI/HF/GAD GAUGE ADAPTER BSP Parallel with ED-ring
	Page #36 ACI/HF/SLRA SWIVEL REDUCING ADAPTER		Page #44 ACI/HF/BP/P BLANKING PLUGS with ED-ring for Port
	Page #38 ACI/HF/AMO ADAPTER BSP Parallel with ED-ring		Page #44 ACI/HF/BP/P BLANKING PLUGS with O-ring for Port acc. to ISO6149 / DIN852
	Page #38 ACI/HF/AMP ADAPTER Metric Parallel with ED-ring		Page #45 ACI/HF/PP PLUGGING PLUG with O-ring
	Page #39 ACI/HF/SLA SWIVEL ADAPTER BSP Parallel with Cone		Page #45 ACI/HF/CC CAP-CAPPING Tube End
	Page #39 ACI/HF/SLA SWIVEL ADAPTER Metric Parallel with Cone		Page #46 ACI/HF/TI TUBE INSERT
	Page #40 ACI/HF/WC WELD CONNECTOR		Page #46 ACI/HF/BLN BULKHEAD LOCK NUT
	Page #40 ACI/HF/WC/U WELD CONNECTOR Union Ball Joint		Page #47 ACI/HF/SR SEALING RING
	Page #41 ACI/HF/PWC PORT WELD CONNECTOR		Page #47 ACI/HF/SR SEALING RING (GC, GE, GA)
	Page #41 ACI/HF/PPWC REDUCING PORT WELD CONNECTOR		Page #47 ACI/HF/ED ED-RING
	Page #42 ACI/HF/RA REDUCING ADAPTER BSP Parallel		Page #47 ACI/HF/OR O-RING
	Page #42 ACI/HF/GA GAUGE ADAPTER BSP Parallel		Page #48 ACI/HF/NT NUT
	Page #43 ACI/HF/RA REDUCING ADAPTER BSP Parallel with ED-ring		Page #48 ACI/HF/SF SINGLE FERRULE

**HYDRAULIC
FITTINGS**

TECHNICAL INFORMATION

INTRODUCTION

Arcellor controls (INDIA) hydraulic fittings are manufactured in accordance with DIN 2353/ DIN EN ISO 8434-1. The products are designed as per the stipulated norms and directives of DIN standard as recommended and are available in the ranges (LL - very light, L - light & S-heavy). These fittings are available in Carbon Steel and Stainless Steel Construction. Designed specifically for many demanding applications such as ship building, automobile, compressed air, fuel heating, refrigeration, chemical industry etc..

Arcellor controls (INDIA) fittings are rugged and comply to best of engineering standards.

Arcellor controls fitting part numbers are constructed from symbols that identify the size and style of the fitting and the material used.

NOMENCLATURE

ØD1 = Tube OD P = Female Thread Type IN = Imperial (Inch)
F = Hex across flat P1 = Male Thread Type MM = Metric (Millimeter)

ABBREVIATION

ARCELLORS CONTROLS (INDIA) FITTINGS are ordered by part number as listed in this in this catalogue

ACI / HF / 12 S - 6 G O - CS

BRAND NAME	Fitting type	Tube O.D.	Series	Tread size	Tread type	Sealing	Material
			LL Ex.light		N NPT	O O-ring	CS Carbon Steel
			L Light		G BSPP	ED ED ring	
			S Heavy		R BSPT		SS Stainless Steel
					M Me ric P.		
					MT Metric T.		
					U UNF		

HOW TO ORDER

A letter or combination of letters and numbers are used to designate the part number of fitting. Eg. ACI = ARCELLOR CONTROLS (INDIA) HYDRAULIC FITTINGS

FITTING DESIGNATOR

Please see designators below.

FITTING STYLE

FITTINGS TYPE

U : UNION
UE : UNION ELBOW
RU : REDUCING UNION
UT : UNION TEE
UC : UNION CROSS
RT : REDUCING TEE
BU : BULKHEAD UNION
WBU : WELD BULKHEAD UNION
BUE : BULKHEAD UNION ELBOW
MC : MALE CONNECTOR
ME : MALE ELBOW
FC : FEMALE CONNECTOR
AE : ADJUSTABLE ELBOW
ABT : ADJUSTABLE BRANCH TEE
ART : ADJUSTABLE RUN TEE
SLE : SWIVEL ADJUSTABLE ELBOW
SLBT : SWIVEL BRANCH TEE
SLRT : SWIVEL RUN TEE
SLU : SWIVEL UNION
R-SP : REDUCER - Standpipe
R-TS : REDUCER - Tube to Stub

SLRA : SWIVEL REDUCING ADAPTER
A : ADAPTER
SLA : SWIVEL ADAPTER
WC : WELD CONNECTOR
PWC : PORT WELD CONNECTOR
RP-WC: RED. PORT WELD CONNECTOR
RA : REDUCING ADAPTER
GA : GAUGE ADAPTER
RA : REDUCING ADAPTER
GA : GAUGE ADAPTER
BP : BLANKING PLUGS
PP : PLUGGING PLUG
CC : CAP-CAPPING TUBE END
TI : TUBE INSERT
BN : BULKHEAD LOCK NUT
SR : SEALING RING
SR : SEALING RING
ED : ED-RING
OR : O-RING
N : NUT
F : SINGLE FERRULE

**HYDRAULIC
FITTINGS**

TECHNICAL INFORMATION

TUBE / PIPE O.D. DESIGNATOR

Tube O.D.	4mm	6mm	8mm	10mm	12mm	15mm	16mm	18mm
Identifier	4	6	8	10	12	15	16	18
	22mm	28mm	30mm	35mm	38mm	42mm		
	22	28	30	35	38	42		

SERIES DESIGNATOR

Series	Very Light	Light	Heavy	
Identifier	LL	L	S	

THREAD SIZE DESIGNATOR (Imperial)

Nominal size	1/8"	1/4"	3/8"	1/2"	3/4"	1"	1 1/4"	1 1/2"	2"
Identifier	2	4	6	8	12	16	20	24	32

THREAD SIZE DESIGNATOR (Metric)

Metric size	M8x1.0	M10x1.0	M12x1.5	M14x1.5	----	M33x2	M42x2	M52x2.0
Identifier	8	10	12	14	----	33	42	52

THREAD SIZE DESIGNATOR (Unified)

Size	7/16-20UNF	7/8-14UNF	1 1/16-12UN	1 5/8-12UN
Identifier	4	6	8	10

THREAD TYPE DESIGNATOR (Pipe Tread)

ANSI/ASME B1.20.1 NPT	DIN-ISO228 (DIN 259) BSPP	DIN-2999 BSPT
N	G	R
DIN 13 Matric Parallel	DIN 158 Matric Taper	Unified
M	MT	U

SEALING TYPE DESIGNATOR (Pipe Tread)

O-RING	ED-
O	ED

MATERIAL DESIGNATOR

Material	Carbon Steel (DIN 3859)	Stainless Steel	Brass
	DIN 17440 / 1.4571	ASTM A479 / TYPE 316	
Identifier	CS	S4571	SS B

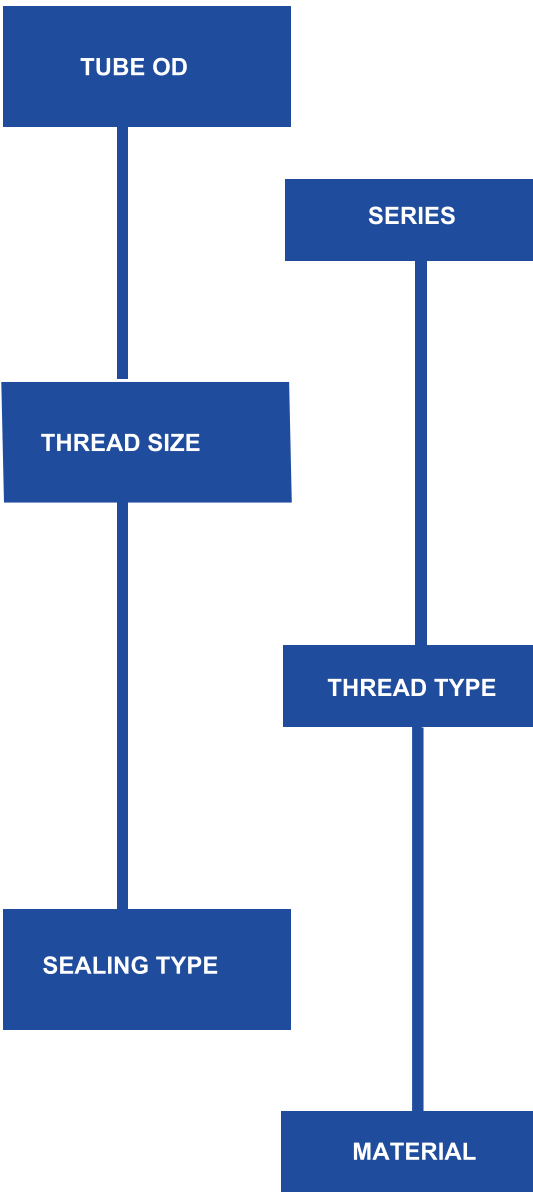
Note : For special material consult factory.

The quality management system complies with **ISO 9001:2015** for Design, Manufacture and supply. Fittings are Type Approved by various marine classifications agencies.

are made in these two series to accommodate all type of service requirements and system characteristics and are produced to DIN standard 2353 / EN 8434-1.

Series L: For compressed air, hydraulic return lines, propane, fuel heating, automotive industry, small type refrigerating device, construction, plastic piping, etc.

Series S: For heavy-duty machinery, ship building, mining, chemical industry, large capacity refrigeration plants, compressed air lines, etc.



QUALITY ASSURANCE

APPLICATION

HYDRAULIC
FITTINGS

TECHNICAL INFORMATION

MATERIAL

Technical specification for Tube :

Body and Nut material : Steel

Ferrule : Heat Treated Steel

Seal Material : Copper Washers, Bonded Seal, Elastomeric Seal

O & ED Rings : Nitrile / Viton

Surface Treatment : Zinc plated / Yellow Chromated / Phosphatic Finish

All ranges fittings are galvanized and yellow passivated. All weldable fittings are phosphated. Nickel-plated on request for carbon steel.

improvement in the surface finish of a seat result in an improvement in the sealing of fitting. Here what happens is, the Microscopic Peaks & Valleys are flattened, which in turn work-hardens the seat higher than ferrule hardness. This makes the seat practically impervious to the scuffs and scars that can occur when a fitting is remade often. You get a tight seal every time.

The basic function of the progressive ring is the limited progressive bite of the ring into the tube due to a unique internal geometry. It has two cutting edges and one stop edge. Owing to the design of both cutting edges and stop edge all forces arising are equally distributed until the collar end. This eliminates vibration on the cutting edge and a perfect sealing takes place.

FEATURES

SURFACE PROTECTION

BURNISHED SEATS

PROGRESSIVE FERRULES

NOMINAL PRESSURES OF BITE TYPE (PROFILE RING) FITTINGS (ACC. TO DIN 2353)

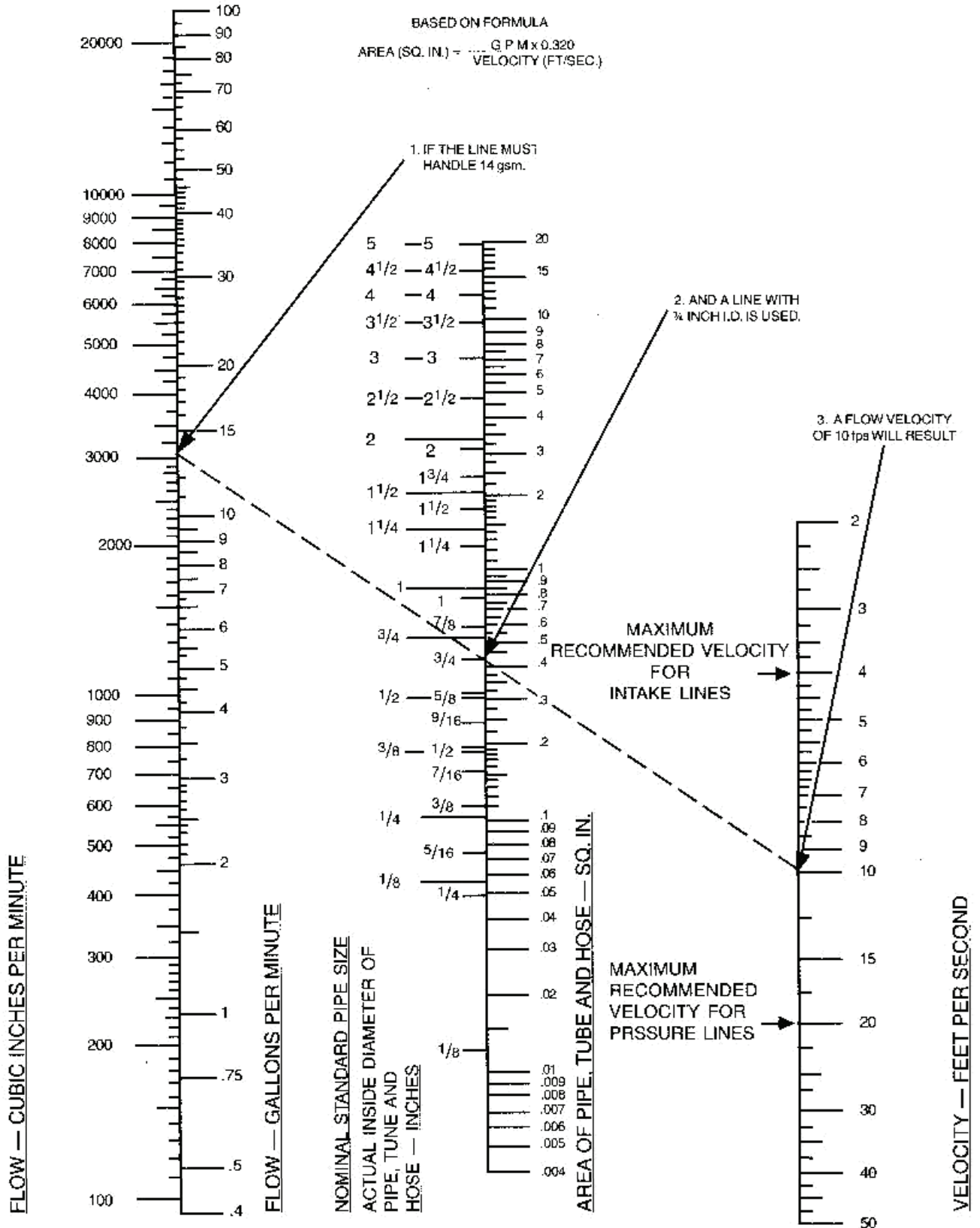
ARCELLOR CONTROLS (INDIA) bite type (profile ring) FITTINGS COMPLY WITH DIN 2353/DIN EN ISO 8434-1. These fittings are available in the following ranges: LL (very light), L (light) and S (heavy). Profile ring fittings are available in carbon Steel and stainless steel.

Series	Tube OD (mm)	Nominal Pressure (bar)	Series	Tube OD (mm)	Nominal Pressure (bar)	Series	Tube OD (Mm)	Nominal Pressure (bar)
LL	4	100	L	6	250	S	6	630
(very light)		100	(light duty)	8	250	(heavy duty)	8	630
	6	100		10	250		10	630
	8	100		12	250		12	630
				15	250		16	400
				18	160		20	400
				22	160		25	400
				28	100		30	250
				35	100		38	250
				42	100		42	250

for bite type fittings ARCELLOR CONTROLS (INDIA) the use of seamless cold drawn tubes according to DIN 2391

TUBING SELECTION

TECHNICAL INFORMATION



**HYDRAULIC
FITTINGS**

TECHNICAL INFORMATION

TUBING GUIDE

SEAMLESS PRECISION STEEL TUBE ST. 37.4

We recommend the use of seamless precision steel tubes with dimensions to DIN 2391, part 1, material St 37.4 to DIN 1630, type NBK. The following tube wall thickness are suitable for use:

Tube O.D (D)	Tolerance	Wall* Thickness (t)	Weight	Design Pressure DIN 2413	
				I	III
mm	mm	mm	kg/m	bar	bar
4		0.5	0.061	391	376
4		1	0.075	500	480
6	±0.1	1	0.125	372	357
6		1.5	0.168	526	505
6		2	0.200	662	637
6		2.25	0.211	725	696
8	±0.1	1	0.175	347	277
8		1.5	0.244	412	396
8		2	0.300	526	505
8		2.5	0.344	630	604
10	±0.1	1	0.225	294	238
10		1.5	0.319	357	343
10		2	0.401	458	439
10		2.5	0.469	551	529
10		3	0.525	638	612
12	±0.08	1	0.275	245	201
12		1.5	0.394	368	291
12		2	0.501	391	376
12		2.5	0.594	474	455
12		3	0.615	551	529
12		3.5	0.744	624	599
15	±0.08	1.5	0.507	294	238
15		2	0.651	321	309
15		2.5	0.782	391	376
15		3	0.901	458	439
16	±0.08	2	0.701	368	291
16		2.5	0.845	370	355
16		3	0.977	433	416
18	±0.08	1.5	0.620	245	201
18		2	0.801	327	262
18		2.5	0.967	333	320
18		3	1.126	391	376

Tube O.D (D)	Tolerance	Wall* Thickness (t)	Weight	Design Pressure DIN 2413	
				bar	bar
mm	mm	mm	kg/m	bar	bar
20	±0.08	2.5	1.095	368	291
20		3	1.277	357	343
20		3.5	1.443	408	392
20		4	1.600	458	439
22	±0.08	2	1.002	267	218
22		2.5	1.220	334	267
22		3	1.426	328	315
25	±0.08	2	1.152	235	193
25		2.5	1.408	294	238
25		3	1.635	353	281
25		4	2.092	378	363
25		4.5	2.307	418	402
25		5	2.501	458	439
28	±0.08	2	1.302	210	174
28		2.5	1.594	263	214
28		3	1.874	315	253
28		4	2.402	342	328
28		5	2.876	415	399
30	±0.08	3	2.028	294	238
30		4	2.605	321	309
30		5	3.400	391	376
35	±0.15	2	1.644	168	141
35		2.5	2.018	210	174
35		3	2.392	252	206
35		4	3.086	336	269
35		5	3.742	342	328
35		6	4.351	401	385
38	±0.15	4	3.405	309	249
38		5	4.131	318	305
38		6	4.807	373	358
38		7	5.426	427	410
42	±0.2	3	2.930	210	174
42		4	3.798	280	227

* Permissible variation in wall thickness (DIN 2391)

Reinforce tube inserts are recommended where thin-walled tubes are subject to severe strains

Pressures Calculation :

Calculated pressures to DIN 2413 part I for primarily static load conditions
Yield point (K) : 235 N/mm² (to DIN1630)
Safety factor (S): 1.5
Allowance factor (C)

$$P = \frac{20 - K - t - c}{S - D} \text{ (Bar)}$$

Calculated pressures to DIN 2413 part III for dynamic load conditions
Yield point(K): 225N/mm²(assumed value)
Safety factor (S): 1.5

$$P = \frac{20 - K - t - c}{S - (D+t - c)} \text{ (Bar)}$$

Factor for consideration of wall thickness divergence for static and dynamic stress

Tube Range	4mm/5mm	6mm/8mm	Larger
Factor(c)	0.8	0.85	0.9

Note : For a diameter ratio of O.D./I.D.>1.35, calculation made to DIN 2413 part III and based on a pulsating fatigue limit of 225 N/mm². Temperature range : 40°C to +120°C

TECHNICAL INFORMATION

SEAMLESS PRECISION STAINLESS STEEL 1.4571
DEFINING THE INSTRUMENTS

Stainless steel tubes (e.g.1.4571), code X6CrNiMoTi 17122, must be cold-drawn and seamless, heat -treated without formation of scales, type m to Din 17458, provide tolerances to DIN 2391, Part 1.

The following tube wall thickness are suitable for use :

Tube O.D (D)	TOLR-ance	Wall* Thickness (t)	Weight	Design Pressure DIN 2413	
				I	III
mm	mm	mm	kg/m	bar	bar
4	±0.1	0.75	0.061	391	376
4		1	0.075	500	480
6	±0.1	1	0.125	372	357
6		1.5	0.168	526	505
6		2	0.200	662	637
6		2.25	0.211	725	696
8	±0.1	1	0.175	347	277
8		1.5	0.244	412	396
8		2	0.300	526	505
8		2.5	0.344	630	604
10	±0.1	1	0.225	294	238
10		1.5	0.319	357	343
10		2	0.401	458	439
10		2.5	0.469	551	529
10		3	0.525	638	612
12	±0.08	1	0.275	245	201
12		1.5	0.394	368	291
12		2	0.501	391	376
12		2.5	0.594	474	455
12		3	0.615	551	529
12		3.5	0.744	624	599
15	±0.08	1.5	0.507	294	238
15		2	0.651	321	309
15		2.5	0.782	391	376
15		3	0.901	458	439
16	±0.08	2	0.701	368	291
16		2.5	0.845	370	355
16		3	0.977	433	416
18	±0.08	1.5	0.620	245	201
18		2	0.801	327	262
18		2.5	0.967	333	320
18		3	1.126	391	376

Tube O.D (D)	Toler-ance	Wall* Thickness (t)	Weight	Design Pressure DIN 2413	
				bar	bar
mm	mm	mm	kg/m	bar	bar
20	±0.08	2.5	1.095	368	291
20		3	1.277	357	343
20		3.5	1.443	408	392
20		4	1.600	458	439
22	±0.08	2	1.002	267	218
22		2.5	1.220	334	267
22		3	1.426	328	315
25	±0.08	2	1.152	235	193
25		2.5	1.408	294	238
25		3	1.635	353	281
25		4	2.092	378	363
25		4.5	2.307	418	402
25		5	2.501	458	439
28	±0.08	2	1.302	210	174
28		2.5	1.594	263	214
28		3	1.874	315	253
28		4	2.402	342	328
28		5	2.876	415	399
30	±0.08	3	2.028	294	238
30		4	2.605	321	309
30		5	3.400	391	376
35	±0.15	2	1.644	168	141
35		2.5	2.018	210	174
35		3	2.392	252	206
35		4	3.086	336	269
35		5	3.742	342	328
35		6	4.351	401	385
38	±0.15	4	3.405	309	249
38		5	4.131	318	305
38		6	4.807	373	358
38		7	5.426	427	410
42	±0.2	3	2.930	210	174
42		4	3.798	280	227

* Permissible variation in wall thickness (DIN 2391)

Reinforce tube inserts are recommended where thin-walled tubes are subject to severe strains

Pressures Calculation :

Calculated pressures to DIN 2413 part I for primarily static load conditions
Yield point (K) : 245 N/mm (to DIN17458)
Safety factor (S): 1.5
Allowance factor (C)

$$P = \frac{20 - K - t - c}{S - D} \text{ (Bar)}$$

Calculated pressures to DIN 2413 part III for dynamic load conditions
Yield point(K): 216N/mm (assumed value)
Safety factor (S): 1.5

$$P = \frac{20 - K - t - c}{S - (D+t - c)} \text{ (Bar)}$$

Factor for consideration of wall thickness divergence for static and dynamic stress

Tube Range	4mm/5mm	6mm/8mm	Larger
Factor(c)	0.8	0.85	0.9

Note : For a diameter ratio of O.D/I.D>1.35, calculation made to DIN 2413 part III and based on a pulsating fatigue limit of 225 N/mm²
Temperature range : 40°C to +120°C
Reduction in pressure for higher temperatures (See page #8)

TECHNICAL INFORMATION

**ALLOWABLE WORKING TEMPERATURES (TB)
FOR FITTINGS MATERIALS**

**HYDRAULIC
FITTINGS**

FOR SEAL - MATERIALS

Material	Temperature
Steel	-49 °C up to + 1 20 °C (DIN 3859)
Brass	-60 °C up to +175 °C
Stainless Steel	-60 °C up to +400 °C (DIN 17440)

Please refer to the information given in the section "Reduction of Pressure"

Material	Temperature
NBR (e.g.Perbunan)	-35 °C up to +100 °C
FPM (e.g.Viton)	-26 °C up to +200 °C
PTFE (e.g.Teflon)	-69 °C up to +240 °C

Caution : If different fitting and sealing material are used, the lowest temperature as indicated for each material is applicable !

The following reduction of pressure compared with the catalogue specification for higher temperatures.

PRESSURE REDUCTION WITH TEMPERATURE

Materials of fittings	Temperature range	Reduction of pressure
Steel	-40 °C up to +120 °C	--
Brass	-60 °C up to + 175 °C	30%
1.4571	-60 °C up to + 20 °C	
1.4571	-69 °C up to + 50°C	4%
1.4571	+100 °C	11%
1.4571	+ 200 °C	20%
1.4571	+ 300 °C	29%
1.4571	+ 400 °C	33%

TUBE DIMENSIONS AND FINAL ASSEMBLY TORQUES

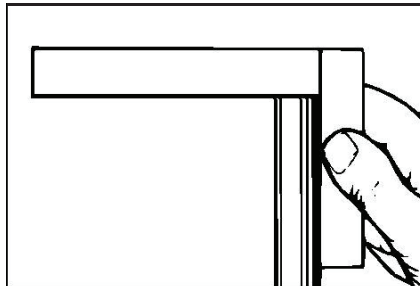
For different material of tubes and fittings. The tubes must be tested separately concerning the allowed temperature range and the necessary reduction of pressure.

Series	Tube O.D. (mm)	Min.Tube Wall Thickness (mm)	Final Assembly Torque (Nm)
	6	1.0	25
	8	1.0	40
	10	1.0	50
L	12	1.5	70
(light duty)	15	1.5	90
	18	1.5	115
	22	2.0	210
	28	2.0	310
	35	3.0	500
	42	3.0	600
	6	2.0	35
	8	1.5	55
	10	1.5	70
S	12	1.5	85
(heavy duty)	16	1.5	120
	20	2.0	200
	25	2.5	340
	30	3.0	480
	38	4.0	850

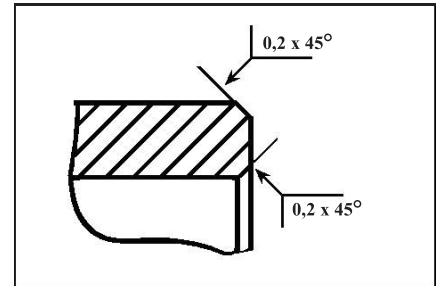
TECHNICAL INFORMATION

The following presents the general principles of the assembly and installation of bite type fittings and are thus n construed as detailed and complete instruction. Note! The detailed assembly and installation instructions are a from ARCELLOR CONTROLS (INDIA) fittings upon request.

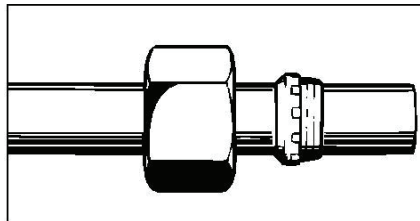
ASSEMBLY INSTRUCTION



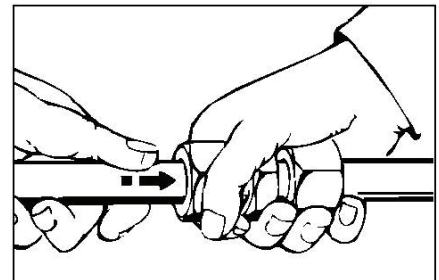
Saw the tube off at rightangles, an angular deviation of 0.5° relative to the tube axis is permissible. Do not use pipe cutter or cuffing-off wheels. Use a Sawing machine / sawing device.



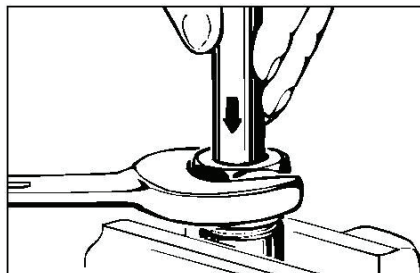
Lightly deburr the tube ends and clean the tube.



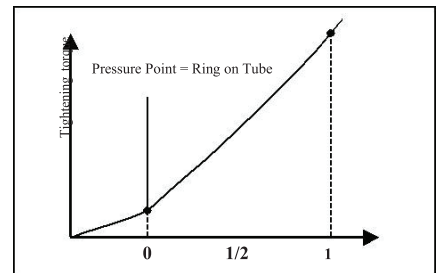
Place nut and profile ring on tube as shown.



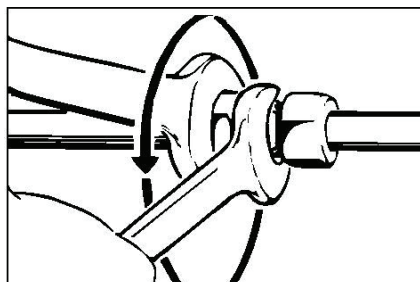
Press tube into fitting body up to tube abutment. Tighten nut by hand.



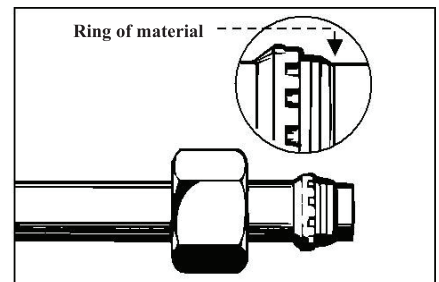
With unfavourable mounting conditions and great tube dimensions, the appropriate fitting body must be fixed in a vice.



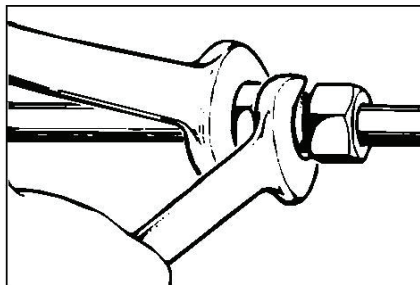
Tighten nut until the profile ring grips the tube which is felt by a noticeable increase in torque.



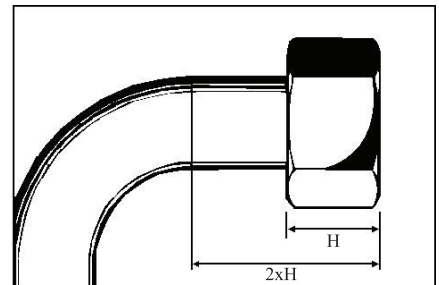
Final Assembly by one turn. Important: Hold fitting body firmly by means of a spanner.



Check penetration of cutting edge. A visible ring of material should fill the space in front of the profile ring end face.



Each time the fitting is disassembled, the nut must be re-tightened firmly using torque as required for final assembly.

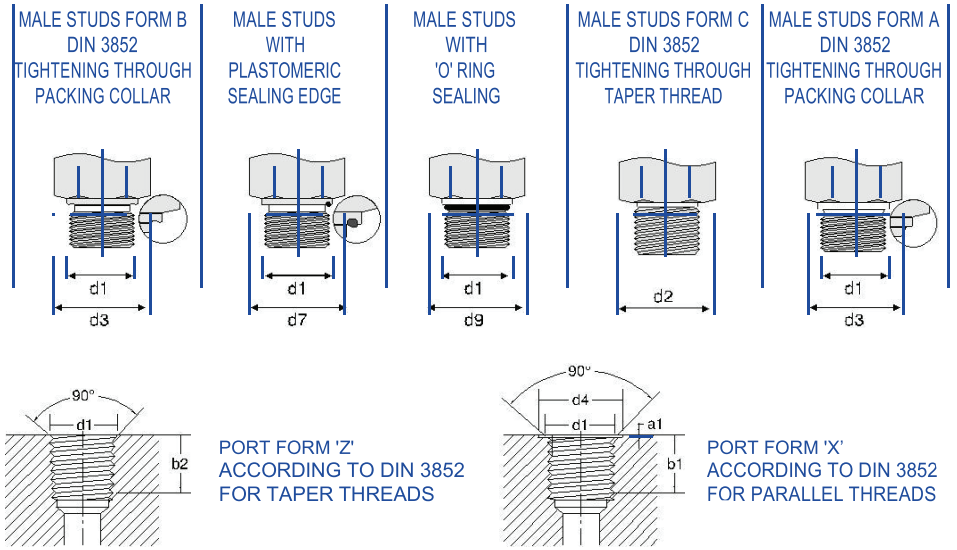


For tube bends, the length of the straight tube end up to start of the bending radius must be at least twice the nut length.

**HYDRAULIC
FITTINGS**

PORT MACHINE DIMENSION

TECHNICAL INFORMATION



METRIC PARALLEL AND TAPER THREADS

METRIC	FOR PACKING COLLAR +0.4	ELASTO-MERIC SEALING	FOR 'O'-RING SEALING +0.4	MAX SIZE +0.4	METRIC TAPER +0.2					
d1	d4	d3	d7	d4	d9	d4	a1	b1	d1	b2
M10 x 1	15	14	14	15	18	20	1	8	10 x 1	5.5
M12 x 1.5	18	17	17	18	22.5	25	1.5	12	12 x 1.5	8.5
M14 x 1.5	20	19	19	20	22.5	25	1.5	12	14 x 1.5	8.5
M16 x 1.5	22	21.9*	21.9*	23*	27	28	1.5	12	16 x 1.5	8.5
M18 x 1.5	24	23.9*	23.9*	25*	28	29	2.0	12	18 x 1.5	8.5
M22 x 1.5	28	27	27	28	33	34	2.5	14	22 x 1.5	10.5
M26 x 1.5	32	31.9*	31.9*	33*	41	42	2.5	16	-	-
M27 x 2	33	32	32	33	41	42	2.5	16	-	-
M33 x 2	40	39.9*	39.9*	41	46	47	2.5	18	-	-
M42 x 2	50	49.9*	49.9*	51*	57	58	2.5	20	-	-
M48 x 2	56	55	55	56	64	65	2.5	22	-	-

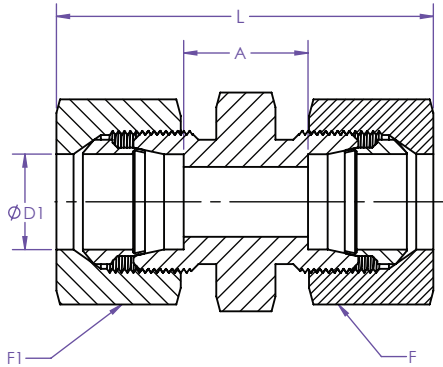
B.S.P. PARALLEL AND TAPER THREADS

B.SP.	FOR PACKING COLLAR	ELASTO-MERIC SEALING	FOR 'O'-RING SEALING	B. S. P. T.						
d1	d4	d3	d7	d4	d9	d4	a1	b1	d2	b2
1/8	15	1.4	14	15	18	19	1	8	1/8"	5.5
1/4	19	18.9*	18@9*	20*	22.5	25	1.5	12	1/4"	8.5
3/8"	23	2.2	22	23	27	28	2	12	3/8"	8.5
1/2"	27	26.9*	26.9*	28*	3.2	34	2.5	14	1/2"	10.5
3/4"	33	3.2	32	33	41	42	2.5	16	-	-
1	40	39.9	-	41	46	47	2.5	18	-	-
1 1/4	50	49.9*	-	-	57	58	2.5	20	-	-
1 1/2	56	55	55	-	64	65	2.5	22	-	-
2"	-	-	72*	73	-	-	3	24	-	-

NOTE : 1) Different from DIN 3852. 2) ARCELLOR CONTROLS (INDIA) fittings with parallel male threads can be tightened without any washer or seal, provided the area of the bearing is spotfaced and at right angles to the axis of the threads. If you use a washer to form 'A' as per DIN 7603 made of copper or aluminium, counter-boring d4 is necessary. This counter-boring locates the washer in position.

UNION

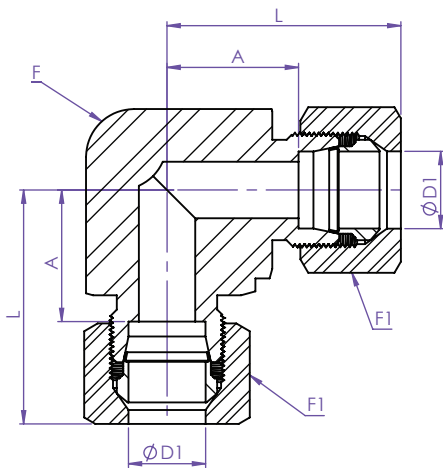
Design : ACI/U



Series	Part No.	Tube ØD1	F1	F	L	A
LL	ACI / HF/U/04LL	4	10	9	31	12
very light	ACI / HF/U/06LL	6	12	11	32	9
PN 100	ACI / HF/U/08LL	8	14	12	35	12
	ACI / HF/U/10LL	10	17	14	35	12
	ACI / HF/U/12LL	12	19	17	35	11
L	ACI / HF/U/06L	6	14	12	39	10
	light ACI / HF/U/08L	8	17	14	40	11
PN 315	ACI / HF/U/10L	10	19	17	42	13
	ACI / HF/U/12L	12	22	19	43	14
	ACI / HF/U/15L	15	27	24	46	16
	ACI / HF/U/18L	18	32	27	48	16
PN 160	ACI / HF/U/22L	22	36	32	52	20
	ACI / HF/U/28L	28	41	41	54	21
	ACI / HF/U/28L	35	50	46	63	20
	ACI / HF/U/42L	42	60	55	66	21
S heavy PN 630	ACI / HF/U/06S	6	17	14	45	16
	ACI / HF/U/088S	8	19	17	47	18
	ACI / HF/U/10S	10	22	19	49	17
	ACI / HF/U/12S	12	24	22	51	19
	ACI / HF/U/14S	14	27	24	57	22
PN 400	ACI / HF/U/16S	16	30	27	57	21
	ACI / HF/U/20S	20	36	32	66	23
	ACI / HF/U/25S	25	46	41	74	26
	ACI / HF/U/30S	30	50	46	80	27
PN 315	ACI / HF/U/38S	38	60	55	90	29

UNION ELBOW

Design : ACI/UE

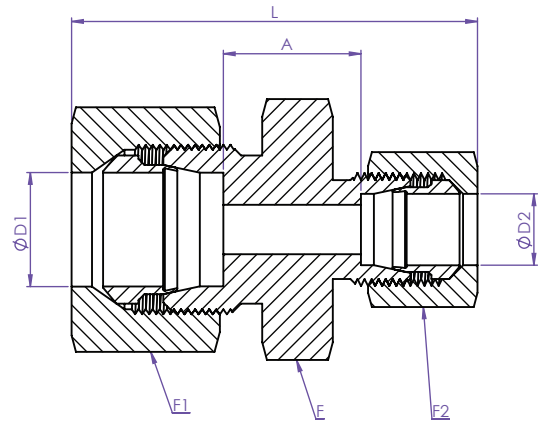


Series	Part No.	Tube ØD1	F1	F	L	A
LL	ACI / HF/UE/04LL	4	10	9	21	11
very light	ACI / HF/UE/06LL	6	12	9	21	9.5
PN 100	ACI / HF/UE/08LL	8	14	12	23	11.5
	ACI / HF/UE/10LL	10	17	14	24	12.5
	ACI / HF/UE/12LL	12	19	17	25	13
L	ACI / HF/UE/06L	6	14	12	27	12
light	ACI / HF/UE/08LL	8	17	12	29	14
	PN 315 ACI / HF/UE/08LL	10	19	14	30	15
PN 160	ACI / HF/UE/12LL	12	22	17	32	17
	ACI / HF/UE/15L	15	27	19	36	21
	ACI / HF/UE/18L	18	32	24	40	23.5
	ACI / HF/UE/22L	22	36	27	44	27.5
PN 400	ACI / HF/UE/28L	28	41	36	47	30.5
	ACI / HF/UE/35L	35	50	41	56	34.5
	ACI / HF/UE/42L	42	60	50	63	40
	ACI / HF/UE/06S	6	17	12	31	16
S heavy PN 630	ACI / HF/UE/08S	8	19	14	32	17
	ACI / HF/UE/10S	10	22	17	34	17.5
PN 400	ACI / HF/UE/12S	12	24	17	38	21.5
	ACI / HF/UE/14S	14	27	19	40	22
	ACI / HF/UE/16S	16	30	24	43	24.5
PN 315	ACI / HF/UE/20S	20	36	27	48	26.5
	ACI / HF/UE/25S	25	46	36	54	30
	ACI / HF/UE/30S	30	50	41	62	35.5
PN 315	ACI / HF/UE/38S	38	60	50	72	41

**HYDRAULIC
FITTINGS**

REDUCING UNION

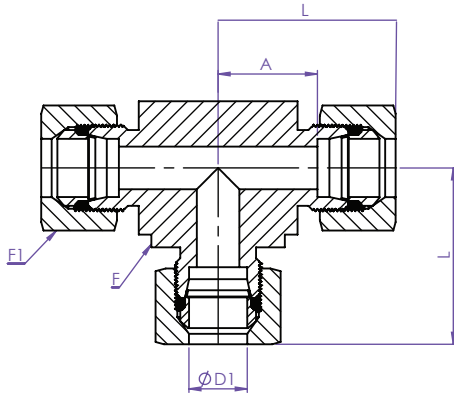
Design : ACI/RU



Series	Part No.	Tube ØD1	Tube ØD2	F1	F2	F	L	A
L	ACI / HF/RU/08L-06L	8	6	17	14	14	40	11
Light	ACI / HF/RU/10L-06L	10	6	19	14	17	41	12
PN 315	ACI / HF/RU/10L-08L	10	8	19	17	17	41	12
	ACI / HF/RU/12L-06L	12	6	22	14	19	42	13
	ACI / HF/RU/12L-08L	12	8	22	17	19	42	13
	ACI / HF/RU/12L-10L	12	10	22	19	19	43	14
	ACI / HF/RU/15L-10L	15	10	27	19	24	45	15
	ACI / HF/RU/15L-12L	15	12	27	22	24	45	15
	ACI / HF/RU/18L-10L	18	10	32	19	27	46	15.5
	ACI / HF/RU/18L-12L	18	12	32	22	27	46	15.5
	ACI / HF/RU/18L-15L	18	15	32	27	27	48	16.5
	PN 160	ACI / HF/RU/22L-12L	22	12	36	22	32	48
ACI / HF/RU/22L-15L		22	15	36	27	32	50	18.5
	ACI / HF/RU/22L-18L	22	18	36	32	32	50	18
	ACI / HF/RU/28L-18L	28	18	41	32	41	52	19
	ACI / HF/RU/28L-22L	28	22	41	36	41	54	21
	ACI / HF/RU/35L-22L	35	22	50	36	46	59	21
	ACI / HF/RU/35L28L	35	28	50	41	46	59	21
S	ACI / HF/RU/08S-06S	8	6	19	17	17	47	18
heavy	ACI / HF/RU/10S-06S	10	6	22	17	19	48	17.5
PN 630	ACI / HF/RU/10S-08S	10	8	22	19	19	48	17.5
	ACI / HF/RU/12S/06S	12	6	24	17	22	50	19.5
	ACI / HF/RU/12S-08S	12	8	24	19	22	50	19.5
	ACI / HF/RU/12S-10S	12	10	24	22	22	51	19
	ACI / HF/RU/14S-10S	14	10	27	22	24	54	20.5
	ACI / HF/RU/14S-12S	14	12	27	24	24	54	20.5
PN 400	ACI / HF/RU/16S-12S	16	12	30	24	27	54	20
	ACI / HF/RU/16S-14S	16	14	30	27	27	57	21.5
	ACI / HF/RU/20S-10S	20	10	36	22	32	60	22
	ACI / HF/RU/20S-12S	20	12	36	24	32	60	22
	ACI / HF/RU/20S-16S	20	16	36	30	32	63	23
	ACI / HF/RU/25S-16S	25	16	46	30	41	68	25
	ACI / HF/RU/25S-20S	25	20	46	36	41	71	25.5
	ACI / HF/RU/30S-20S	30	20	50	36	46	74	26
	ACI / HF/RU/30S-25S	30	25	50	46	46	77	26.5
	PN 315	ACI / HF/RU/38S-38S	38	30	60	50	55	87

UNION TEE

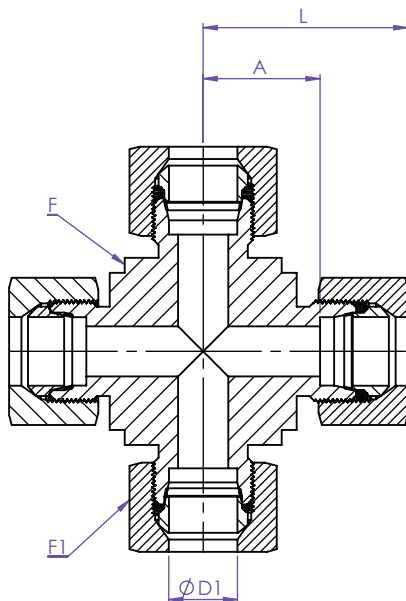
Design : ACI/UT



Series	Part No.	Tube ØD1	F1	F	L	A
LL	ACI / HF/UT/04LL	4	10	9	21	11
very light	ACI / HF/UT/06LL	6	12	9	21	9.5
PN 100	ACI / HF/UT/08LL	8	14	12	23	11.5
	ACI / HF/UT/10LL	10	17	14	24	12.5
	ACI / HF/UT/12LL	12	19	14	27	15
	ACI / HF/UT/15LL	15	27	19	36	21
L	ACI / HF/UT/06L	6	14	12	27	12
	ACI / HF/UT/08L	8	17	12	29	14
PN 315	ACI / HF/UT/10L	10	19	14	30	15
	ACI / HF/UT/12L	12	22	17	32	17
	ACI / HF/UT/15L	15	27	19	36	21
	ACI / HF/UT/18L	18	32	24	40	23.5
PN 160	ACI / HF/UT/22L	22	36	27	44	27.5
	ACI / HF/UT/28L	28	41	36	47	30.5
	ACI / HF/UT/35L	35	50	41	56	34.5
	ACI / HF/UT/42L	42	60	50	63	40
S	ACI / HF/UT/06S	6	17	12	31	16
Heavy	ACI / HF/UT/08S	8	19	14	32	17
PN 630	ACI / HF/UT/10S	10	22	17	34	17.5
	ACI / HF/UT/12S	12	24	17	38	21.5
	ACI / HF/UT/14S	14	27	19	40	22
PN 400	ACI / HF/UT/16S	16	30	24	43	24.5
	ACI / HF/UT/20S	20	36	27	48	26.5
	ACI / HF/UT/25S	25	46	36	54	30
	ACI / HF/UT/30S	30	50	41	62	35.5
PN 315	ACI / HF/UT/38S	38	60	50	72	41

UNION CROSS

Design : ACI/UC

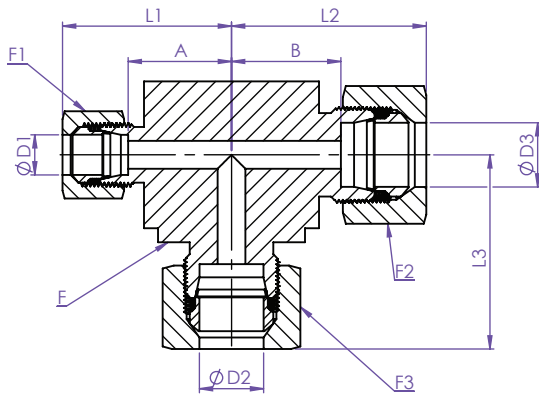


Series	Part No.	Tube ØD1	F1	F	L	A
LL	ACI / HF/UC/04LL	4	10	9	21	11
very light	ACI / HF/UC/06LL	6	12	9	21	9.5
PN 100	ACI / HF/UC/08LL	8	14	12	23	11.5
	ACI / HF/UC/10LL	10	17	14	24	12.5
	ACI / HF/UC/12LL	12	19	14	27	15
	ACI / HF/UC/15LL	15	27	19	36	21
L	ACI / HF/UC/06L	6	14	12	27	12
Light	ACI / HF/UC/08L	8	17	12	29	14
PN 315	ACI / HF/UC/10L	10	19	14	30	15
	ACI / HF/UC/12L	12	22	17	32	17
	ACI / HF/UC/15L	15	27	19	36	21
	ACI / HF/UC/18L	18	32	24	40	23.5
PN 160	ACI / HF/UC/22L	22	36	27	44	27.5
	ACI / HF/UC/28L	28	41	36	47	30.5
	ACI / HF/UC/35L	35	50	41	56	34.5
	ACI / HF/UC/42L	42	60	50	63	40
S	ACI / HF/UC/06S	6	17	12	31	16
Heavy	ACI / HF/UC/10S	10	22	17	34	17.5
PN 630	ACI / HF/UC/12S	12	24	17	38	21.5
	ACI / HF/UC/14S	14	27	19	40	22
	ACI / HF/UC/16S	16	30	24	43	24.5
PN 400	ACI / HF/UC/20S	20	36	27	48	26.5
	ACI / HF/UC/25S	25	46	36	54	30
	ACI / HF/UC/30S	30	50	41	62	35.5
	ACI / HF/UC/38S	38	60	50	72	41

**HYDRAULIC
FITTINGS**

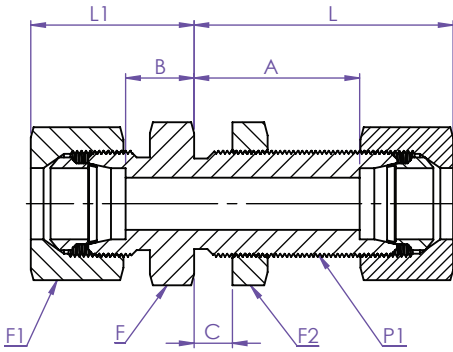
REDUCING TEE

Design : ACI/RT



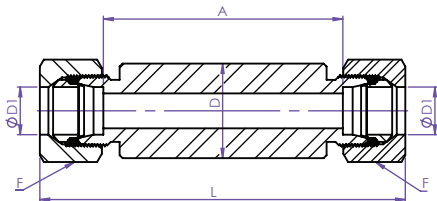
Series	Part No.	Tube ØD			F1	F2	F3	F	L	L1	L3	A	B	C
		ØD1	ØD2	ØD3										
L-light	ACI / HF/RT/06-06-08L	6	6	8	14	14	17	14	29	29	29	14	14	14
PN 316	ACI / HF/RT/08-08-06L	8	8	6	17	17	14	14	29	29	29	14	14	14
PN 315	ACI / HF/RT/06-06-10L	6	6	10	14	14	19	14	30	30	30	15	15	15
	ACI / HF/RT/08-08-10L	8	8	10	17	17	19	14	30	30	30	15	15	15
	ACI / HF/RT/10-10-06L	10	10	6	19	19	14	14	30	30	30	15	15	15
	ACI / HF/RT/10-10-08L	10	10	8	19	19	17	14	30	30	30	15	15	15
	ACI / HF/RT/10-06-10L	10	6	10	19	14	19	14	30	30	30	15	15	15
PN 315	ACI / HF/RT/08-08-12L	8	8	12	17	17	22	17	32	32	32	17	17	17
	ACI / HF/RT/12-12-06L	12	12	6	22	22	14	17	32	32	32	17	17	17
	ACI / HF/RT/12-08-08L	12	8	8	22	17	17	17	32	32	32	17	17	17
	ACI / HF/RT/12-12-08L	12	12	8	22	22	17	17	32	32	32	17	17	17
	ACI / HF/RT/12-10-10L	12	10	10	22	19	19	17	32	32	32	17	17	17
	ACI / HF/RT/12-12-10L	12	12	10	22	19	17	32	32	32	32	17	17	17
	ACI / HF/RT/12-10-12L	12	10	12	22	19	22	17	32	32	32	17	17	17
PN 315	ACI / HF/RT/10-10-15L	10	10	15	19	19	27	19	36	36	36	21	21	21
	ACI / HF/RT/12-12-15L	12	12	15	22	22	27	19	36	36	36	21	21	21
	ACI / HF/RT/15-15-06L	15	15	6	27	27	14	19	36	36	36	21	21	21
	ACI / HF/RT/15-15-10L	15	15	10	27	27	19	19	36	36	36	21	21	21
	ACI / HF/RT/15-12-12L	15	12	12	27	22	22	19	36	36	36	21	21	21
	ACI / HF/RT/15-15-12L	15	15	12	27	27	22	19	36	36	36	21	21	21
	ACI / HF/RT/15-12-15L	15	12	15	27	22	2	19	36	36	36	21	21	21
	ACI / HF/RT/12-12-18L	12	12	18	22	22	32	24	39	39	40	24	24	23.5
	ACI / HF/RT/18-10-10L	18	10	10	32	19	19	24	40	39	39	23.5	24	24
	ACI / HF/RT/18-18-10L	18	18	10	32	32	19	24	40	40	39	23.5	23.5	24
	ACI / HF/RT/18-18-12L	18	18	12	32	32	22	24	40	40	39	23.5	23.5	24
	ACI / HF/RT/18-18-15L	18	18	15	32	32	27	24	40	40	39	23.5	23.5	24
	ACI / HF/RT/18-10-18L	18	10	18	32	19	32	24	40	39	40	23.5	24	23.5
PN - 160	ACI / HF/RT/22-22-10L	22	22	10	36	36	19	27	44	44	43	27.5	27.5	28
	ACI / HF/RT/22-22-12L	22	22	12	36	36	22	27	44	44	43	27.5	27.5	28
	ACI / HF/RT/22-15-15L	22	15	15	36	27	27	27	44	43	43	27.5	28	28
	ACI / HF/RT/22-22-15L	22	22	15	36	36	27	27	44	44	43	27.5	27.5	28
	ACI / HF/RT/22-18-18L	22	18	18	36	32	32	27	44	44	44	27.5	27.5	27.5
	ACI / HF/RT/22-22-18L	22	22	18	36	36	32	27	44	44	44	27.5	27.5	27.5
	ACI / HF/RT/22-18-22L	22	18	22	36	32	36	27	44	44	44	27.5	27.5	27.5
PN-160	ACI / HF/RT/28-28-10L	28	28	10	41	41	19	36	47	44	46	30.5	30.5	31
	ACI / HF/RT/28-28-12L	28	28	12	41	41	22	36	47	47	46	30.5	30.5	31
	ACI / HF/RT/28-28-15L	28	28	15	41	41	27	36	47	47	46	30.5	30.5	31
	ACI / HF/RT/28-28-18L	28	28	18	41	41	32	36	47	47	47	30.5	30.5	30.5
	ACI / HF/RT/28-22-22L	28	22	22	41	36	36	36	47	47	47	30.5	30.5	30.5
	ACI / HF/RT/28-28-22L	28	28	22	41	41	36	36	47	47	47	30.5	30.5	30.5
S	ACI / HF/RT/10-10-06S	10	10	6	22	22	17	17	34	34	33	17.5	17.5	18
PN 630	ACI / HF/RT/12-08-08S	12	8	8	24	19	19	17	38	37	37	21.5	22	22
	ACI / HF/RT/12-12-08S	12	12	8	24	24	19	17	38	38	37	21.5	21.5	22
	ACI / HF/RT/12-12-10S	12	12	10	24	24	22	17	38	38	38	21.5		21.5
	ACI / HF/RT/12-12-16S	12	12	16	24	24	30	24	42	42	43	25.5	25.5	24.5
	ACI / HF/RT/16-16-06S	16	16	6	30	30	17	24	43	43	41	24.5	24.5	26
	ACI / HF/RT/16-16-08S	16	16	8	30	30	19	24	43	43	41	24.5	24.5	26
	ACI / HF/RT/16-16-10S	16	16	10	30	30	22	24	43	43	42	24.5	24.5	25.5
	ACI / HF/RT/16-16-12S	16	16	12	30	30	24	24	43	43	42	24.5	24.5	25.5
	ACI / HF/RT/16-16-20S	16	16	20	30	30	36	27	47	47	48	28.5	28.5	26.5
	ACI / HF/RT/20-20-10S	20	20	10	36	36	22	27	48	48	46	26.5	26.5	29.5
	ACI / HF/RT/20-20-12S	20	20	12	36	36	24	27	48	48	46	26.5	26.5	29.5
	ACI / HF/RT/20-20-16S	20	20	16	36	36	30	27	48	48	47	26.51	26.5	28.5
	ACI / HF/RT/20-20-25S	20	20	25	36	36	46	36	53	53	54	31.5	31.5	30

BULKHEAD UNION



Series	Part No.	Tube ØD1	F1	F2	F	L	L1	A	B	P1
L	ACI / HF/UN/06L	6	14	17	17	42	22	27	7	M12 x1.5
light	ACI / HF/UN/08L	8	17	19	19	42	23	27	8	M14 x1.5
PN 315	ACI / HF/UN/10L	10	19	22	22	43	25	28	10	M16 x1.5
	ACI / HF/UN/12L	12	22	24	24	44	25	29	10	M18 x1.5
	ACI / HF/UN/15L	15	27	30	27	46	2	31	12	M22 x1.5
PN 160	ACI / HF/UN/18L	18	32	36	32	49	3	32.5	13.5	M26 x 1.5
	ACI / HF/UN/22L	22	36	41	36	51	3	34.5	16.5	M30 x 2
	ACI / HF/UN/28L	28	41	46	41	52	35	35.5	18.5	M36 x 2
S	ACI / HF/UN/35L	35	50	55	50	58	40	36.5	18.5	M45 x 2
	ACI / HF/UN/42L	42	60	65	60	59	42	36	19	M52 x 2
	ACI / HF/UN/06S	6	17	19	19	44	27	29	12	M14 x1.5
PN 400	ACI / HF/UN/08S	8	19	22	22	44	28	29	13	M16 x1.5
	ACI / HF/UN/10S	10	22	24	24	46	31	29.5	14.5	M18 x1.5
	ACI / HF/UN/12S	12	24	27	27	47	31	30.5	14.5	M20 x1.5
PN	ACI / HF/UN/14S	14	27	30	30	50	35	32	17	M22 x1.5
	ACI / HF/UN/16S	16	30	32	32	50	35	31.5	16.5	M24 x1.5
	ACI / HF/UN/20S	20	36	41	41	55	39	33	17.5	M30 x 2
PN	ACI / HF/UN/25S	25	46	46	46	43	44	35	20	M36 x 2
	ACI / HF/UN/30S	30	50	50	50	64	48	37.5	21.5	M42 x 2
PN	ACI / HF/UN/38S	38	60	65	65	68	53	37	22	M52 x 2

WELD BULKHEAD UNION

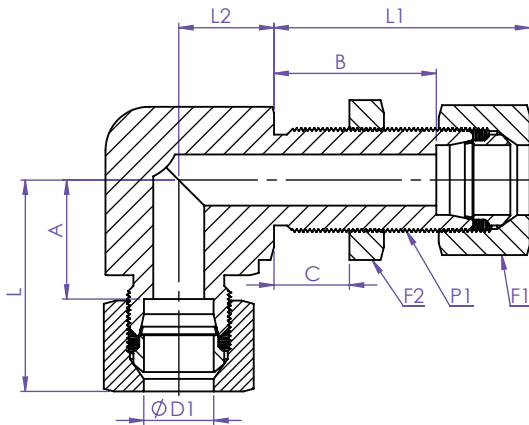


Series	Part No.	Tube ØD1	D	F	L	A
L	ACI / HF/WBU/06L	6	18	14	85	56
Light	ACI / HF/WBU/08L	8	20	17	85	56
315	ACI / HF/WBU/10L	10	22	19	87	58
	ACI / HF/WBU/12L	12	25	22	87	58
	ACI / HF/WBU/15L	15	28	27	100	70
PN 315	ACI / HF/WBU/18L	18	32	32	101	69
	ACI / HF/WBU/22L	22	36	36	105	73
	ACI / HF/WBU/28L	28	40	41	106	73
S	ACI / HF/WBU/35L	35	50	50	114	71
	ACI / HF/WBU/42L	42	60	60	115	70
	ACI / HF/WBU/06S	6	20	17	89	60
Heavy	ACI / HF/WBU/08S	8	22	19	89	60
PN 630	ACI / HF/WBU/10S	10	25	22	91	59
	ACI / HF/WBU/12S	12	28	24	91	44
	ACI / HF/WBU/14S	14	30	27	107	72
PN 400	ACI / HF/WBU/16S	16	35	30	107	71
	ACI / HF/WBU/20S	20	38	36	114	71
	ACI / HF/WBU/25S	25	45	46	120	72
PN 315	ACI / HF/WBU/30S	30	50	50	126	73
	ACI / HF/WBU/38S	38	60	60	133	72

**HYDRAULIC
FITTINGS**

BULKHEAD UNION ELBOW

Design : ACI/BUE

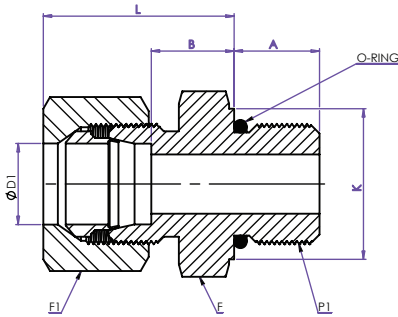


Series	Part No.	Tube ØD1	F1	F2	F	L	L1	L2	A	B	P1
L	ACI / HF/BUE/06L	6	14	17	12	27	42	14	12	27	M12 x 1.5
Light	ACI / HF/BUE/08L	8	17	19	12	29	42	17	14	27	M14 x 1.5
PN 315	ACI / HF/BUE/10L	10	19	22	14	30	43	18	15	28	M16 x 1.5
	ACI / HF/BUE/22L	12	22	24	17	32	44	20	17	29	M18 x 1.5
	ACI / HF/BUE/15L	15	27	30	19	36	46	23	21	31	M22 x 1.5
	ACI / HF/BUE/18L	18	32	36	24	40	49	24	23.5	32.5	M26 x 1.5
PN 160	ACI / HF/BUE/22L	22	36	41	27	44	51	30	27.5	34.5	M30 x 2
	ACI / HF/BUE/28L	28	41	46	36	47	52	34	30.5	35.5	M36 x 2
	ACI / HF/BUE/35L	35	50	55	41	56	58	39	34.5	36.5	M45 x 2
	ACI / HF/BUE/42L	42	60	65	50	63	59	43	40	36	M52 x 2
S	ACI / HF/BUE/06S	6	17	19	12	31	44	17	16	29	M14 x 1.5
heavy	ACI / HF/BUE/08S	8	19	22	14	32	44	18	17	29	M16 x 1.5
PN 630	ACI / HF/BUE/10S	10	22	24	17	34	46	20	17.5	29.5	M18 x 1.5
	ACI / HF/BUE/12S	12	24	27	17	38	47	21	21.5	30.5	M20 x 1.5
	ACI / HF/BUE/14S	14	27	30	19	40	50	23	22	32	M22 x 1.5
PN 400	ACI / HF/BUE/16S	16	30	32	24	43	50	24	24.5	31.5	M24 x 1.5
	ACI / HF/BUE/20S	20	36	41	27	48	55	30	26.5	33.5	M30 x 2
	ACI / HF/BUE/25S	25	46	46	36	54	59	34	30	35	M36 x 2
	ACI / HF/BUE/30S	30	50	50	41	62	64	39	35.5	37.5	M42 x 2
PN 315	ACI / HF/BUE/38S	38	60	65	50	72	68	43	41	37	M52 x 2

MALE CONNECTOR (UNF / Metric Parallel) with O-ring

FOR UNIFIED

Design : ACI/MC/UO



Series	Part No.	Tube ØD1	F1	F	K	L	A	B	P1 U (Unified)
	ACI/HF/MC/12L-08UO	12	22	24	22.3	28	11	13	3/4-16 UNF-2A
	ACI / HF/MC/12L-10UO	12	22	27	25.5	29	12.7	14.3	7/8-14 UNF-2A
	ACI / HF/MC/15L-08UO	15	27	24	22.3	29	11	14	3/4-16 UNF-2A
	ACI / HF/MC/15L-10UO	15	27	27	25.5	30	12.7	15.3	7/8-14 UNF-2A
	ACI / H/MC/18L-08UO	18	32	27	22.3	31	1.1	14.5	3/4-16 UNF-2A
	ACI / HF/MC/18L-10UO	18	32	27	25.5	31	12.7	14.8	7/8-14 UNF-2A
PN 160	ACI / HF/MC/22L-10UO	22	36	32	25.5	33	12.7	16.8	7/8-14 UNF-2A
	ACI / HF/MC/22L-12UO	22	36	32	31.9	33	15	16.5	1 1/16-12 UN-2A
	ACI / HF/MC/22L-16UO	22	36	41	38.2	34	15	17.5	1 5/16-12 UN-2A
	ACI / HF/MC/28L- 12UO	28	41	41	31.9	34	15	17,5	1 1/16-12 UN-2A
	ACI / HF/MC/28L-12UO	28	41	41	38.2	34	15	17.5	1 5/16-12 UN-2A
	ACI / HF/MC/35L-20UO	35	50	6	38,2	39	15	17.5	1 5/16-12 UN-2A
	ACI / HF/MC/35-20UO	35	50	50	47.7	39	15	17.5	1 5/8-12 UN-2A
	ACI / HF/MC/42L-20UO	42	60	55	47.7	42	15	19	1 5/8-12 UN-2A
S	ACI / HF/MC/08L-06OU	8	19	17	16	30	9	15	7/16-20 UNF-2A
heavy	ACI / HF/MC/12S-06UO	10	22	19	17,6	31	10	14.5	9/16-18 UNF-2A
PN 630	ACI / HF/MC/12S-08UO	12	24	22	17.6	31	10	14.5	9/16-18 UNF-2A
	ACI / HF/MC/12S-08UO	12	24	24	22.3	34	11	17.5	3/4-16 UNF-2A
PN 400	ACI / HF/MC/16S-08UO	16	30	24	22.3	34	11	15.5	3/4-16 UNF-2A
	ACI / HF/MC/16S-08UO	16	30	27	25.5	37	12.7	18.8	7/8-14 UNF-2A
	ACI / HF/MC/20S-10UO	20	36	32	22.3	42	11	20.5	3/4-16 UNF-2A
	ACI / HF/MC/20S-10UO	20	36	32	25.5	42	12.7	20.8	7/8-14 UNF-2A
	ACI / HF/MC/20S-10UO	20	36	32	31.9	42	15	20.5	1 1/16-12 UN-2A
	ACI / HF/MC/250S-14UO	25	46	36	31.9	47	15	23	1 1/16-12 UN-2A
	ACI / HF/MC/25S-16UO	25	46	41	38.2	47	15	23	1 5/16-12 UN-2A
	ACI / HF/MC/30S-20UO	30	50	46	38.2	50	15	23.5	1 5/16-12 UN-2A
	ACI / HF/MC/30S-20UO	30	50	50	47.7	50	15	23.5	1 5/8-12 UN-2A
PN 315	ACI / HF/MC/38S-20UO	38	60	55	47.7	57	15	26	1 5/8-12 UN-2A

FOR METRIC PARALLEL

Design : ACI/MC/MO

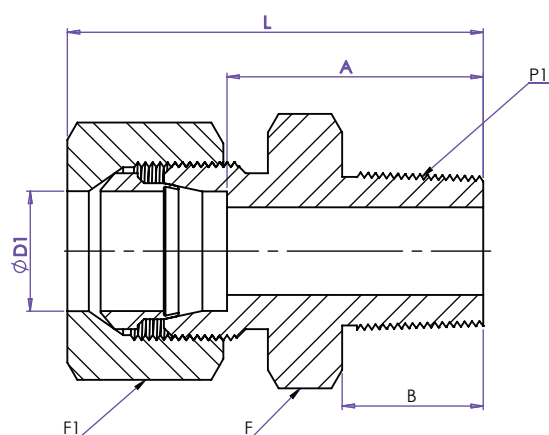
Series	Part No.	Tube ØD1	F1	F	K	L	A	B	P M(Metric)
L	ACI / HF/MC/06L-10M	6	14	14		23	10	8.5	M10 x 1
light	ACI / HF/MC/08L-12M	8	17	17		25	11.5	10	M12 x 1.5
PN 315	ACI / HF/MC/10L-14M	10	19	19		26	11.5	11	M14 x 1.5
	ACI / HF/MC/12L-16M	12	22	22		27	1.3	12	M16 x 1.5
	ACI / HF/MC/15L-20M	15	27	24		29	14.5	13.5	M18 x 1.5
	ACI / HF/MC/18L-22M	18	32	27		30	15.5	1.4	M22 x 1.5
PN 160	ACI / HF/MC/22L-26M	22	36	32		32	16	16	M26 x 1.5
	ACI / HF/MC/28L-33M	28	41	41	38	34	1.9	17.5	M33 x 2
	ACI / HF/MC/35L-42M	35	50	50	48	39	19.5	17.5	M42 x 2
S	ACI / HF/MC/6S-12M	6	17	17		27	11.5	12	M12 x 1.5
heavy	ACI / HF/MC/8S-14M	8	19	19		27	11.5	12	M14 x 1.5
PN 630	ACI / HF/MC/10S-16M	10	22	22		29	1.3	12.5	M16 x 1.5
	ACI / HF/MC/12S-18M	12	24	24		29	14.5	13	M18 x 1.5
PN 400	ACI / HF/MC/16S-22M	16	30	27		33	15.5	15	M22 x 1.5
	ACI / HF/MC/20L-27M	20	36	32		37	1.9	15	M27 x 2
	ACI / HF/MC/25L-32M	25	46	41	38	41	1.9	17	M33 x 2
	ACI / HF/MC/30L-42M	30	50	50	48	45	19.5	18.5	M42 x 2

**HYDRAULIC
FITTINGS**

MALE CONNECTOR (BSP Tapered / BSP Parallel)

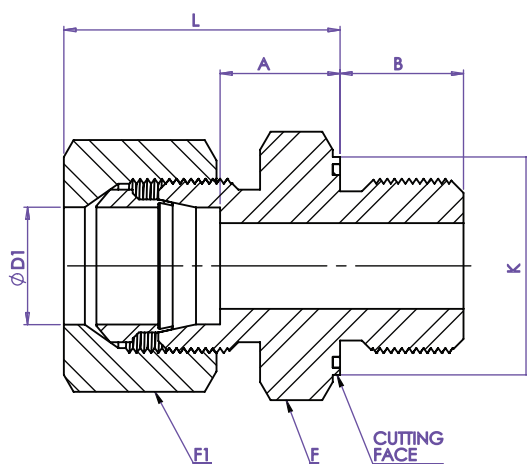
Design : ACI/MC-R/G

Series	Part No.	Tube ØD1	F1	F	K	L	A	B	P1 R / G
LL	ACI / HF/MC/04LL-2R	4	10	11	-	26	16	8	R 1/8
very	ACI / HF/MC/06LL-2R	6	12	71	-	26	14.5	8	R 1/8
light	ACI / HF/MC/08LL-2R	8	14	12	-	28	16.5	8	R 1/8
IN 100	ACI / HF/MC/08LL-4R	8	14	14	-	32	20.5	12	R 1/4
	ACI / HF/MC/10LL-4R	10	17	14	-	32	20.5	12	R 1/4
	ACI / HF/MC/12LL-4R	12	19	17	-	32	20	12	R 1/4
	ACI / HF/MC/12LL-4R	12	19	17	-	32	20	12	R 3/8
L	ACI / HF/MC/06L-2G	6	14	14	14	23	8.5	8	G 1/8
light	ACI / HF/MC/06L-2R	6	14	12	-	30	15	8	R 1/8
PN 315	ACI / HF/MC/06L-4G	6	14	19	18	25	10	12	G 1/4
	ACI / HF/MC/06L-6G	6	14	22	22	26	11.5	12	G 3/8
	ACI / HF/MC/06L-6G	6	14	27	26	27	12	14	G 1/2
	ACI / HF/MC/08L-2G	8	17	19	18	25	10	12	G 1/4
	ACI / HF/MC/08L-2G	8	17	14	14	23	8.5	8	G 1/8
	ACI / HF/MC/08L-4R	8	17	17	-	35	20	12	R 1/4
	ACI / HF/MC/08L-6L	8	17	22	22	26	11.5	12	G 3/8
	ACI / HF/MC/08L-8L	8	17	27	26	27	12	14	G 1/2
	ACI / HF/MC/10L-4G	10	19	19	18	26	11	12	G 1/4
	ACI / HF/MC/10L-4L	10	19	17	-	36	21	12	R 1/4
	ACI / HF/MC/10L-8G	10	19	22	22	27	12.5	12	G 3/8
	ACI / HF/MC/10L-8G	10	19	27	26	28	13	14	G 1/2
	ACI / HF/MC/12L-8G	12	19	22	22	27	12.5	12	G 3/8
	ACI / HF/MC/12L-4G	12	22	19	18	27	12	12	G 1/4
	ACI / HF/MC/12L-4R	12	22	19	-	37	22	12	R 1/4
	ACI / HF/MC/12L-8G	12	22	19	-	37	22	12	R 3/8
	ACI / HF/MC/12L-8G	12	22	27	26	28	13	14	G 1/2
	ACI / HF/MC/12L-8G	12	22	24	-	39	24	14	R 1/2
	ACI / HF/MC/12L-12G	12	22	32	32	29	14	16	G 3/4
	ACI / HF/MC/15L-12G	15	27	27	26	29	14	14	G 1/2
	ACI / HF/MC/15L-6G	15	27	24	22	29	13.5	12	G 3/8
	ACI / HF/MC/15L-6R	15	27	24	-	38	23	12	R 3/8
	ACI / HF/MC/15L-8R	15	27	24	-	40	25	14	R 1/2
	ACI / HF/MC/15L-12G	15	27	32	32	30	15	16	G 3/4
	ACI / HF/MC/15L-18R	18	32	27	26	31	14.5	14	R 1/2
	ACI / HF/MC/18L-6G	18	32	27	22	29.5	14	12	G 3/8
	ACI / HF/MC/18L-8G	18	32	27	-	41	25.5	14	G 1/2
	ACI / HF/MC/18L-12G	18	32	32	32	30	14.5	6	G 3/4
	ACI / HF/MC/22L-12G	22	36	32	32	33	16.5	16	G 3/4
	ACI / HF/MC/22L-8G	22	36	32	26	33	16.5	14	G 1/2
	ACI / HF/MC/22L-12G	22	36	32	-	46	29.5	16	R 3/4
	ACI / HF/MC/28L-16G	28	41	41	39	34	17.5	18	G 1
	ACI / HF/MC/28L-12G	28	41	41	32	34	17.5	16	G 3/4
	ACI / HF/MC/35L-12G	35	50	50	49	39	17.5	20	G 1 1/4
	ACI / HF/MC/35L-16G	35	50	46	39	39	17.5	18	G 1
	ACI / HF/MC/42L-24G	42	60	55	55	42	19	22	G 1 1/2



MALE CONNECTOR (BSP Parallel)

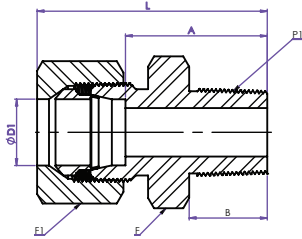
Design : ACI/MC-G



Series	Part No.	Tube ØD1	F1	F	K	L	A	B	P1 G
S	ACI / HF/MC/06S-12G	6	17	19	18	28	13	12	G 1/4
heavy	ACI / HF/MC/06S-08G	6	17	27	26	33	18	14	G 1/2
PB 630	ACI / HF/MC/08S-12G	8	19	19	18	30	15	12	G 1/4
	ACI / HF/MC/08S-12G	8	19	22	22	30	15.5	12	G 3/8
	ACI / HF/MC/10S-06G	10	22	22	22	31	15	12	G 3/8
	ACI / HF/MC/10S-04G	10	22	19	18	31	14.5	12	G 1/4
	ACI / HF/MC/12S-08G	10	22	27	26	34	17.5	14	G 1/2
	ACI / HF/MC/12S-08G	12	24	22	22	33	17	12	G 3/8
	ACI / HF/MC/12S-08G	12	24	22	18	33	16.5	12	G 1/4
	ACI / HF/MC/12S-08G	12	24	27	26	34	17.5	14	G 1/2
	ACI / HF/MC/14S-06G	14	27	27	26	37	19	14	G 1/2
	ACI / HF/MC/14S-06G	14	27	24	22	36	18.5	12	G 3/8
PB 400	ACI / HF/MC/16S-08G	16	30	27	26	37	18.5	14	G 1/2
	ACI / HF/MC/16S-08G	16	30	27	22	36	18	12	G 3/8
	ACI / HF/MC/16S-12G	16	30	32	32	39	20.5	16	G 3/4
	ACI / HF/MC/20S-12G	20	36	32	32	42	20.5	16	G 3/4
	ACI / HF/MC/20S-8G	20	36	32	26	42	20.5	14	G 1/2
	ACI / HF/MC/25S-16G	25	46	41	39	47	23	18	G 1
	ACI / HF/MC/25S-18G	25	46	41	32	47	23	16	G 3/4
PB 250	ACI / HF/MC/30S-20G	30	50	50	49	50	23.5	20	G 1 1/4
	ACI / HF/MC/30S-16G	30	50	46	39	50	23.5	18	G 1
	ACI / HF/MC/38S-24G	38	60	55	55	57	26	22	G 1 1/2
	ACI / HF/MC/38S-16G	38	60	55	49	57	26	20	G 1 1/4

MALE CONNECTOR (Metric Tapered)

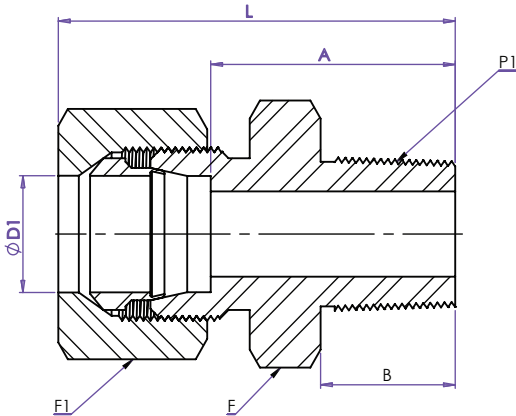
Design : ACI/MC-MT



Series	Part No.	Tube ØD1	F1	F	K	L	A	B	P1 M (Metric)
LL	ACI / HF/MC/04LL-6MT	4	10	9	--	26		8	M6 x 1Keg
very light	ACI / HF/MC/04LL-8MT	4	10	10	--	26	16	8	M8 x 1Keg
PN 100	ACI / HF/MC/06LL-10MT	6	12	11	--	26	14.5	8	M10 x 1Keg
	ACI / HF/MC/08LL-10MT	8	14	12	--	28	16.5	8	M10 x 1Keg

MALE CONNECTOR (Metric Parallel)

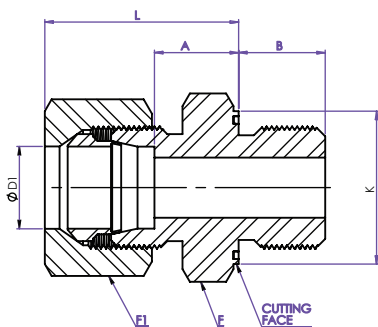
Design : ACI/MC-M



Series	Part No.	Tube ØD1	F1	F	K	L	A	B	P1 M (Metric)
L	ACI / HF/MC/06L-8M	6	14	14	14	23	8.5	8	M 10 x 1
light	ACI / HF/MC/08L-10M	8	17	17	17	25	10	12	M 12 x 1.5
PN 315	ACI / HF/MC/08L-18M	8	17	24	23	26	11.5	12	M 18 x 1.5
	ACI / HF/MC/10L-14M	10	19	19	19	26	11	12	M 14 x 1.5
	ACI / HF/MC/10L-16M	10	19	22	21	27	12	12	M 16 x 1.5
	ACI / HF/MC/10L-18M	10	19	24	23	27	12.5	12	M 18 x 1.5
	ACI / HF/MC/10L-22M	10	19	27	27	29	14	14	M 22 x 1.5
	ACI / HF/MC/12L-14M	12	22	19	19	26	11	12	M 14 x 1.5
	ACI / HF/MC/12L-16M	12	22	22	21	27	12.5	12	M 16 x 1.5
	ACI / HF/MC/12L-18M	12	22	24	23	27	12.5	12	M 18 x 1.5
	ACI / HF/MC/12L-22M	12	22	27	27	29	14	14	M 22 x 1.5
	ACI / HF/MC/15L-16M	15	27	24	21	28	13	12	M 16 x 1.5
	ACI / HF/MC/15L-18M	15	27	24	23	29	13.5	12	M 18 x 1.5
	ACI / HF/MC/15L-18M	15	27	27	27	30	15	14	M 22 x 1.5
	ACI / HF/MC/18L-18M	18	32	27	23	30	14	12	M 18 x 1.5
	ACI / HF/MC/18L-22M	18	32	27	27	31	14.5	14	M 22 x 1.5
PN 160	ACI / HF/MC/22L-24M	22	36	32	27	33	16.5	14	M 22 x 1.5
	ACI / HF/MC/22L-26M	22	36	32	31	33	16.5	16	M 26 x 1.5
	ACI / HF/MC/28L-33M	28	41	41	39	34	17.5	18	M 33 x 2
	ACI / HF/MC/35L-28M	35	50	50	49	39	17.5	20	M 42 x 2
	ACI / HF/MC/42L-48M	42	60	55	55	42	19	22	M 48 x 2
S	ACI / HF/MC/6S-12M	6	17	17	17	28	13	12	M 12 x 1.5
heavy	ACI / HF/MC/8S-14M	8	19	19	19	30	15	12	M 14 x 1.5
PB 630	ACI / HF/MC/10S-16M	10	22	22	21	31	15	12	M 16 x 1.5
	ACI / HF/MC/12S-18M	12	24	24	23	33	17	12	M 18 x 1.5
	ACI / HF/MC/12S-22M	12	24	27	27	34	17.5	14	M 22 y 1.5
	ACI / HF/MC/14S-20M	14	27	27	25	37	19	14	M 20 x 1.5
PB-400	ACI / HF/MC/16S-18M	16	30	27	23	36	18	12	M 18 x 1.5
	ACI / HF/MC/16S-22M	16	30	27	27	37	18.5	14	M 22 x 1.5
	ACI / HF/MC/20S-27M	20	36	32	32	42	20.5	16	M 27 x 2
	ACI / HF/MC/25S-33M	25	46	41	39	47	23	18	M 33 x 2
PB 250	ACI / HF/MC/30S-42M	30	50	50	49	50	23.5	20	M 42 x 2
	ACI / HF/MC/38S-48M	38	60	55	55	57	26	22	M 48 x 2

MALE CONNECTOR BSP Parallel with ED ring

Design : ACI/MC-GED

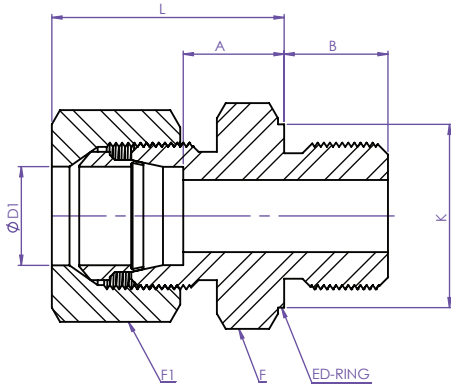


Series	Part No.	Tube ØD1	F1	F	K	L	A	B	P1 G
L	ACI / HF/MC/06L-02GED	6	14	14	14	23	8.5	8	1/8
light	ACI / HF/MC/06L-04GED	6	14	19	19	25	10	12	1/4
PN 315	ACI / HF/MC/08L-02GED	8	17	14	14	24	9.5	8	1/8
	ACI / HF/MC/08L-06GED	8	17	19	19	25	10	12	1/4
	ACI / HF/MC/08L-06GED	8	17	22	22	26	11.5	12	3/8
	ACI / HF/MC/10L-04GED	10	19	19	19	26	11	12	1/4
	ACI / HF/MC/10L-06GED	10	19	22	22	27	12.5	12	3/8
	ACI / HF/MC/10L-08GED	10	19	27	27	28	13	14	1/2
	ACI / HF/MC/12L-04GED	12	22	19	19	27	12	12	1/4
	ACI / HF/MC/12L-06GED	12	22	22	22	27	12.5	12	3/8
	ACI / HF/MC/12L-08GED	12	22	27	27	28	13	14	1/2
	ACI / HF/MC/15L-06GED	15	27	24	22	29	13.5	12	3/8
	ACI / HF/MC/15L-08GED	15	27	27	27	29	14	14	1/2
	ACI / HF/MC/18L-08GED	18	32	27	27	31	14.5	14	1/2
	ACI / HF/MC/18L-12GED	18	32	32	32	31	14.5	16	3/4
PN 160	ACI / HF/MC/22L-12GED	22	36	32	32	33	16.5	16	3/4
	ACI / HF/MC/28L-16GED	28	41	41	40	34	17.5	18	1
	ACI / HF/MC/35L-20GED	35	50	50	50	39	17.5	20	1 1/4
	ACI / HF/MC/42L-20GED	42	60	55	55	42	19	22	1 1/2
S	ACI / HF/MC/06S-04GED	6	17	19	19	28	13	12	1/4
heavy	ACI / HF/MC/08S-04GED	8	19	19	19	30	15	12	1/4
PN 630	ACI / HF/MC/08S-06GED	8	19	22	22	30	15.5	12	3/8
	ACI / HF/MC/10S-04GED	10	22	19	19	31	14.5	12	1/4
	ACI / HF/MC/10S-06GED	10	22	22	22	31	15	12	3/8
	ACI / HF/MC/10S-08GED	10	22	27	27	34	17.5	14	1/2
	ACI / HF/MC/12S-04GED	12	24	22	19	33	16.5	12	1/4
	ACI / HF/MC/12S-06GED	12	24	22	22	33	17	12	3/8
	ACI / HF/MC/12S-08GED	12	24	27	32	34	17.5	14	1/2
	ACI / HF/MC/14S-08GED	14	27	27	27	37	19	14	1/2
PN 400	ACI / HF/MC/16S-06GED	16	30	27	22	36	18	12	3/8
	ACI / HF/MC/16S-08GED	16	30	27	27	37	18.5	14	1/2
	ACI / HF/MC/16S-12GED	16	30	32	27	39	20.5	16	3/4
	ACI / HF/MC/20S-12GED	20	36	32	32	42	20.5	16	3/4
	ACI / HF/MC/25S-08GED	25	46	41	27	47	23	14	1/2
	ACI / HF/MC/25S-12GED	25	46	41	32	47	23	16	3/4
	ACI / HF/MC/25S-16GED	25	46	41	40	47	23	18	1
	ACI / HF/MC/30S-20GED	30	50	50	50	50	23.5	20	1 1/4
PN 315	ACI / HF/MC/38S-20GED	38	60	55	55	57	26	22	1 1/2

**HYDRAULIC
FITTINGS**

MALE CONNECTOR Metric Parallel with ED-ring

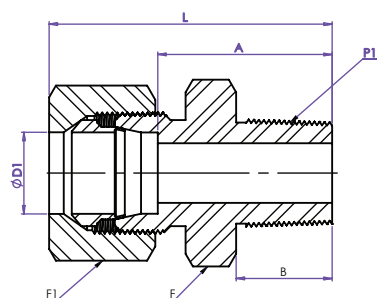
Design : ACI/MC-MED



Series	Part No.	Tube ØD1	F1	F	K	L	A	B	P1 M (Metric)
L	ACI / HF/MC/06L-10MED	6	14	14	14	23	8.5	8	M 10 x 1
light	ACI / HF/MC/08L-12MED	8	17	17	17	25	10	12	M 12 x 1,5
PN 315	ACI / HF/MC/10L-14MED	10	19	19	19	26	11	12	M 14 x 1.5
	ACI / HF/MC/12L-16MED	12	22	22	22	27	12.5	12	M 16 x 1.5
	ACI / HF/MC/12L-18MED	12	22	24	24	27	12.5	12	M 18 x 1.5
	ACI / HF/MC/12L-18MED	12	22	27	27	29	14	14	M 22 x 1.5
	ACI / HF/MC/15L-18MED	15	27	24	24	29	13.5	12	M 18 x 1.5
	ACI / HF/MC/15L-22MED	15	27	27	27	30	15	14	M 22 x 1.5
	ACI / HF/MC/18L-22MED	18	32	27	27	31	14.5	14	M 22 x 1.5
PN 160	ACI / HF/MC/22L-26MED	22	36	32	32	33	16.5	16	M 26 x 1.5
	ACI / HF/MC/28L-26MED	28	41	41	40	34	17,5	18	M 33 x 2
	ACI / HF/MC/35L-42MED	35	50	50	50	39	17.5	20	M 42 x 2
	ACI / HF/MC/42L-48MED	42	60	55	55	42	19	22	M 48 x 2
S	ACI / HF/MC/06S-12MED	6	17	17	17	28	13	12	M 12 x 1.5
heavy	ACI / HF/MC/08S-16MED	8	19	19	19	30	15	12	M 14 x 1.5
PN	ACI / HF/MC/10S-16MED	10	22	22	22	31	15	12	M 16 x 1.5
	ACI / HF/MC/12S-18MED	12	24	24	24	33	17	12	M 18 x 1.5
	ACI / HF/MC/14S-20MED	14	27	27	26	37	19	14	M 20 x 1.5
PN 400	ACI / HF/MC/16S-22MED	16	30	27	27	37	18.5	14	M 22 x 1.5
	ACI / HF/MC/20S-27MED	20	36	32	32	42	20.5	16	M 27 x 2
	ACI / HF/MC/25S-33MED	25	46	41	40	47	23	18	M 33 x 2
	ACI / HF/MC/30S-42MED	30	50	50	50	50	23.5	20	M 42 x 2
PN 315	ACI / HF/MC/38S-48MED	38	60	55	55	57	26	22	M 48 x 2

MALE CONNECTOR NPT Thread

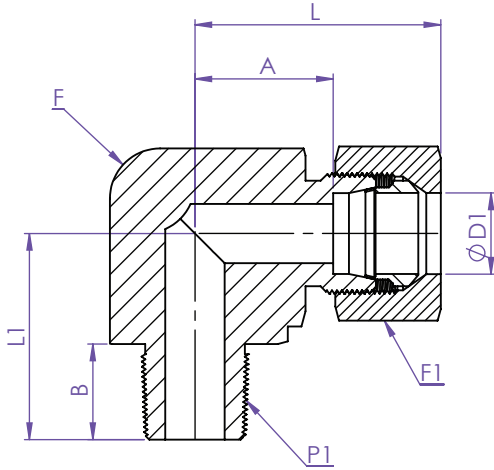
Design : ACI/MC-N



Series	Part No.	Tube ØD1	F1	F	L	A	B	P1 N (NPT)
LL	ACI / HF/MC/04L-02N	4	10	11	28	18.5	9.9	1/8 - 27
Very light	ACI / HF/MC/06L-02N	6	12	11	28	16.5	9.9	1/8 - 27
PN 100	ACI / HF/MC/08L-02N	8	14	12	30	18.5	9.9	1/8 - 27
L	ACI / HF/MC/06L-02N	6	14	12	32	17	9.9	1/8 - 27
light	ACI / HF/MC/06L-04N	6	14	17	38	23	14.2	1/4 - 18
PN 315	ACI / HF/MC/08L-12N	8	17	17	38	23	14.2	1/4 - 18
	ACI / HF/MC/10L-04N	10	19	17	39	24	14.2	1/4 - 18
	ACI / HF/MC/10L-06N	10	19	19	40	25	14.2	3/8 - 18
	ACI / HF/MC/12L-14N	12	22	19	40	25	14.2	1/4 - 18
	ACI / HF/MC/12L-06N	12	22	19	40	25	14.2	3/8 - 18
	ACI / HF/MC/12L-08N	12	22	22	45	30	19.1	1/2 - 14
	ACI / HF/MC/15L-08N	15	27	24	46	31	19.1	1/2 - 14
	ACI / HF/MC/18L-08N	18	32	27	48	31.5	19.1	1/2 - 14
	ACI / HF/MC/22L-08N	22	36	32	50	33.5	19.1	3/4 - 14
	ACI / HF/MC/28L-16N	28	41	41	56	39.5	23.9	1 - 11.5
	ACI / HF/MC/42L-24N	42	60	55	65	42	25.4	1 1/2 - 11.5
S	ACI / HF/MC/06S-04N	6	17	17	43	28	14.2	1/4 - 18
heavy	ACI / HF/MC/08S-04N	8	19	17	43	28	14.2	1/4 - 18
PN 630	ACI / HF/MC/10S-04N	10	22	19	44	27.5	14.2	1/4 - 18
	ACI / HF/MC/10S-06N	10	22	19	44	27.5	14.2	3/8 - 18
	ACI / HF/MC/12S-04N	12	24	22	46	29.5	14.2	1/4 - 18
	ACI / HF/MC/12S-06N	12	24	22	46	29.5	14.2	3/8 - 18
	ACI / HF/MC/12S-08N	12	24	22	51	34.5	19.1	1/2 - 14
	ACI / HF/MC/14S-08N	14	27	24	54	36	19.1	1/2 - 14
PN 400	ACI / HF/MC/16S-08N	16	30	27	54	35.5	19.1	1/2 - 14
	ACI / HF/MC/20S-12N	20	36	32	59	37.5	19.1	3/4 - 14
	ACI / HF/MC/25S-16N	25	46	41	69	45	23.9	1 - 11.5
	ACI / HF/MC/30S-20N	30	50	46	73	46.5	23.9	1 1/4 - 11.5
PN 315	ACI / HF/MC/38S-24N	38	60	55	80	49	25.4	1 1/2 - 11.5

MALE ELBOW BSP Tapered / Metric Tapered

Design : ACI/ME-R



Series	Port No.	Tube ØD1	F1	F	L	L1	A	B	P1 R
LL	ACI / HF/ME/04LL-02R	4	10	9	21	17	11	10	1/8
Very	ACI / HF/ME/06LL-02R	6	12	9	21	17	9.5	10	1/8
Light	ACI / HF/ME/08LL-02R	8	14	12	23	20	11.5	10	1/8
PN100	ACI / HF/ME/10LL-04R	10	17	14	24	23	12.5	14	1/4
	ACI / HF/ME/12LL-04R	12	19	17	25	23	1.3	14	1/4
L	ACI / HF/ME/06LL-02R	6	14	12	27	20	1.2	10	1/8
Light	ACI / HF/ME/08LL-04R	8	17	12	29	26	14	14	1/4
PN315	ACI / HF/ME/10LL-04R	10	19	14	30	27	15	14	1/4
	ACI / HF/ME/12LL-06R	12	22	17	32	28	17	15	3/8
	ACI / HF/ME/15LL-08R	15	27	19	36	34	21	19	1/2
	ACI / HF/ME/18LL-08R	18	32	24	40	36	23.5	19	1/2
S	ACI / HF/ME/06S-04R	6	17	12	31	26	16	14	1/4
Heavy	ACI / HF/ME/08S-04R	8	19	14	32	27	17	14	1/4
PN400	ACI / HF/ME/10S-06R	10	22	17	34	28	17.5	15	3/8
	ACI / HF/ME/12S-06R	12	24	11	38	28	21.5	15	3/8
	ACI / HF/ME/14S-08R	14	27	19	40	32	22	19	1/2
	ACI / HF/ME/16S-08R	16	30	24	43	32	24.5	19	1/2

Design : ACI/ME-MT

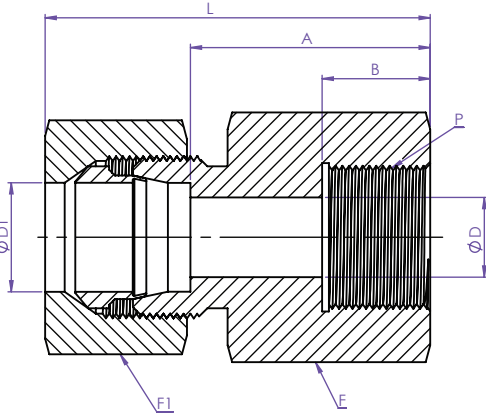
Series	Port No.	Tube ØD1	F1	F	L	L1	A	B	P1-Taper Metric
LL-very	ACI / HF/ME/04LL-08MT	4	10	9	21	17	11	8	08 x 1Keg
light	ACI / HF/ME/06LL-10MT	6	12	9	21	17	9.5	8	10 x 1Keg
PN100	ACI / HF/ME/08LL-10MT	8	14	12	23	20	11.5	8	10 x 1Keg
L	ACI / HF/ME/06LL-10MT	6	14	12	27	20	1.2	8	10 x 1Keg
light	ACI / HF/ME/08LL-12MT	8	17	12	29	26	14	12	12 x 1.5Keg
PN315	ACI / HF/ME/10LL-14MT	10	19	14	30	27	1.5	12	14 x 1.5Keg
	ACI / HF/ME/12LL-16MT	12	22	17	32	28	1.7	14	16 x 1.5Keg
	ACI / HF/ME/15LL-18MT	15	27	19	36	34	21	14	18 x 1.5Keg
	ACI / HF/ME/18LL-22MT	18	32	24	40	36	23.5	17	22 x 1.5Keg
S	ACI / HF/ME/06S-12MT	6	17	12	31	26	16	12	12 x 1.5Keg
heavy	ACI / HF/ME/08S-16MT	8	19	14	32	27	17	12	14 x 1.5Keg
PN400	ACI / HF/ME/10S-16MT	10	22	17	34	28	17.5	12	16 x 1.5Keg
	ACI / HF/ME/12S-18MT	12	24	11	38	28	21.5	12	18 x 1.5Keg
	ACI / HF/ME/14S-20MT	14	27	19	40	32	22	14	20 x 1.5Keg
	ACI / HF/ME/16S-22MT	16	30	24	43	32	24.5	17	22 x 1.5Keg

FEMALE CONNECTOR BSP Parallel / Metric Parallel

Design : ACI/FC-G

FOR BSP PARALLEL

Series	Part No.	Tube ØD1	F1	F	L	A	B	P G
L	ACI / HF/FC/06L-02G	6	14	14	34	19	12	1/8
light	ACI / HF/FC/08L-04G	8	17	19	39	24	17	1/4
PN 315	ACI / HF/FC/08L-06G	8	17	24	40	25	17	3/8
	ACI / HF/FC/08L-08G	8	17	27	44	29	20	1/2
	ACI / HF/FC/10L-04G	10	19	19	40	25	17	1/4
	ACI / HF/FC/10L-06G	10	19	24	41	26	17	3/8
	ACI / HF/FC/10L-08G	10	19	27	45	30	20	1/2
	ACI / HF/FC/12L-06G	12	22	24	41	26	17	3/8
	ACI / HF/FC/12L-06G	12	22	27	45	30	20	1/2
	ACI / HF/FC/12L-08G	15	27	27	46	31	20	1/2
	ACI / HF/FC/18L-08G	18	32	27	47	30.5	20	1/2
PB 160	ACI / HF/FC/22L-12G	22	36	36	52	35.5	22	3/4
	ACI / HF/FC/22L-16G	28	41	41	55	38	24.5	1
	ACI / HF/FC/35L-20G	35	50	55	63	41	26.5	1 1/4
	ACI / HF/FC/42L-24G	42	60	60	65	42.5	28.5	1 1/2
S	ACI / HF/FC/06S-04G	6	17	19	41	26	17	1/4
heavy	ACI / HF/FC/08S-04G	8	19	19	41	26	17	1/4
PB 630	ACI / HF/FC/10S-06G	10	22	24	43	26.5	17	3/8
	ACI / HF/FC/12S-06G	12	24	24	43	26.5	17	3/8
	ACI / HF/FC/14S-10G	14	27	30	50	32	20	1/2
PB 400	ACI / HF/FC/16S-08G	16	30	30	50	31.5	20	1/2
	ACI / HF/FC/20S-12G	20	36	36	56	34.5	22	3/4
	ACI / HF/FC/25S-16G	25	46	41	62	37.5	24.5	1
	ACI / HF/FC/30S-20G	30	50	55	69	42	26.5	1 1/4
PB 315	ACI / HF/FC/38S-G	38	60	60	74	43.5	28.5	1 1/2



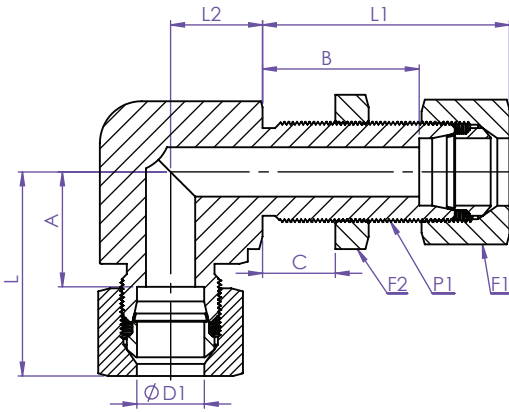
FOR METRIC PARALLEL

Design : ACI/FC-M

Series	Part No.	Tube ØD1	F1	F	L	A	B	P M(Metric)
L	ACI / HF/FC/06L-10M	6	14	14	34	19.5	12.5	M10 x 1
light	ACI / HF/FC/08L-12M	8	17	17	39	24	17	M12 x 1.5
PB 315	ACI / HF/FC/10L-14M	10	19	19	40	25	17	M14 x 1.5
	ACI / HF/FC/12L-16M	12	22	22	41	26	17	M16 x 1.5
	ACI / HF/FC/15L-18M	15	27	24	43	28	17	M18 x 1.5
	ACI / HF/FC/18L-22M	18	32	30	46	29.5	19	M22 x 1.5
PB 160	ACI / HF/FC/22L-26M	22	36	32	51	34.5	21	M26 x 1.5
	ACI / HF/FC/28L-33M	28	41	41	54	37.5	24	M33 x 2
	ACI / HF/FC/35L-42M	35	50	55	62	40.5	26	M42 x 2
	ACI / HF/FC/42L-48M	42	60	60	65	42	28	M48 x 2
S	ACI / HF/FC/06S-12M	6	17	17	41	26	17	M12 x 1.5
heavy	ACI / HF/FC/08S-14M	8	19	19	41	26	17	M14 x 1.5
PB 630	ACI / HF/FC/10S-16M	10	22	22	43	26.5	17	M16 x 1.5
	ACI / HF/FC/12S-18M	12	24	24	44	27.5	17	M18 x 1.5
	ACI / HF/FC/14S-20M	14	27	27	49	31	19	M20 x 1.5
PB 400	ACI / HF/FC/16S-22M	16	30	30	49	30.5	19	M22 x 1.5
	ACI / HF/FC/20S-27M	20	36	36	56	34.5	22	M27 x 2
	ACI / HF/FC/25S-33M	25	46	41	61	37	24	M33 x 2
	ACI / HF/FC/30S-42M	30	50	55	68	41.5	26	M42 x 2
PB 315	ACI / HF/FC/38S-48M	38	60	60	74	43	28	M48 x 2

ADJUSTABLE ELBOW with Standpipe

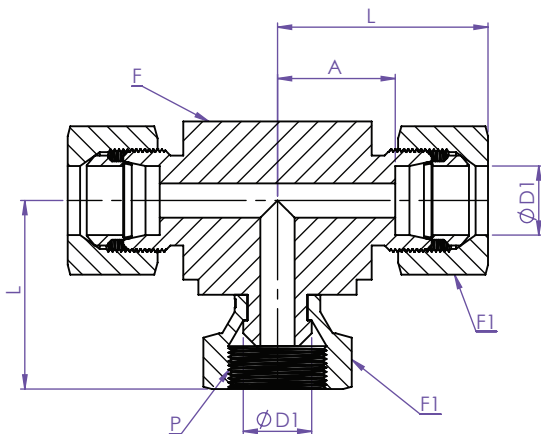
Design : ACI/HF/AE



Series	Part No.	Tube ØD1	ØD1	F1	F	L	L1	A	P
L	ACI / HF/AE/06L	6	6	14	12	27	26	12	M 12 x 1.5
Light	ACI / HF/AE/08L	8	8	17	12	29	27.5	14	M 14 x 1.5
PN 315	ACI / HF/AE/10L	10	10	19	14	30	29	15	M 16 x 1.5
	ACI / HF/AE/12L	12	12	22	17	32	29.5	17	M 18 x 1.5
	ACI / HF/AE/15L	15	15	27	19	36	32.5	21	M 22 x 1.5
PN 160	ACI / HF/AE/18L	18	18	32	24	40	35.5	23.5	M 26 x 1.5
	ACI / HF/AE/22L	22	22	36	27	44	38.5	27.5	M 30 x 2
	ACI / HF/AE/28L	28	28	41	36	47	41.5	30.5	M 36 x 2
S	ACI / HF/AE/35L	35	35	50	41	56	51	34.5	M 45 x 2
	ACI / HF/AE/42L	42	42	60	50	63	56	40	M 52 x 2
	ACI / HF/AE/06S	6	6	17	12	31	27	16	M 14 x 1.5
heavy	ACI / HF/AE/08S	8	8	19	14	32	27.5	17	M 16 x 1.5
PN 630	ACI / HF/AE/10S	10	10	22	17	34	30	17.5	M 18 x 1.5
	ACI / HF/AE/12S	12	12	24	17	38	31	21.5	M 20 x 1.5
	ACI / HF/AE/14S	14	14	27	19	40	35	22	M 22 x 1.5
PN 400	ACI / HF/AE/16S	16	16	30	24	43	36.5	24.5	M 24 x 1.5
	ACI / HF/AE/20S	20	20	36	27	48	44.5	26.5	M 30 x 2
	ACI / HF/AE/25S	25	25	46	36	54	50	30	M 36 x 2
PN 38	ACI / HF/AE/30S	30	30	50	41	62	55	35.5	M 42 x 2
	ACI / HF/AE/38S	38	38	60	50	72	63	41	M 52 x 2

ADJUSTABLE BRANCH TEE with Standpipe

Design : ACI/ABT

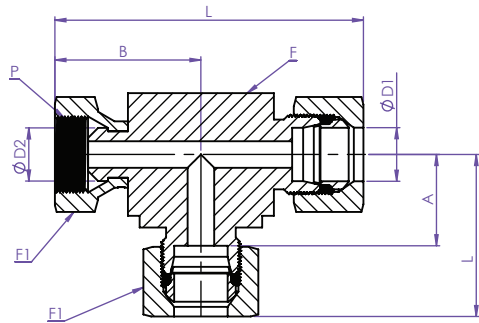


Series	Part No.	Tube ØD1	ØD1	F1	F	L	L1	A	P
L	ACI / HF/ABT/06L	6	6	14	12	27	26	12	M 12 x 1.5
light	ACI / HF/ABT/08L	8	8	17	12	29	27.5	14	M 14 x 1.5
PN 315	ACI / HF/ABT/10L	10	10	19	14	30	29	15	M 16 x 1.5
	ACI / HF/ABT/12L	12	12	22	17	32	29.5	17	M 18 x 1.5
	ACI / HF/ABT/15L	15	15	27	19	36	32.5	21	M 22 x 1.5
PN 160	ACI / HF/ABT/18L	18	18	32	24	40	35.5	23.5	M 26 x 1.5
	ACI / HF/ABT/22L	22	22	36	27	44	38.5	27.5	M 30 x 2
	ACI / HF/ABT/28L	28	28	41	36	47	41.5	30.5	M 36 x 2
S	ACI / HF/ABT/35L	35	35	50	41	56	51	34.5	M 45 x 2
	ACI / HF/ABT/42L	42	42	60	50	63	56	40	M 52 x 2
	ACI / HF/ABT/06S	6	6	17	12	31	27	16	M 14 x 1.5
heavy	ACI / HF/ABT/08S	8	8	19	14	32	27.5	17	M 16 x 1.5
PN 630	ACI / HF/ABT/10S	10	10	22	17	34	30	17.5	M 18 x 1.5
	ACI / HF/ABT/12S	12	12	24	17	38	31	21.5	M 20 x 1.5
	ACI / HF/ABT/14S	14	14	27	19	40	35	22	M 22 x 1.5
PN 400	ACI / HF/ABT/16S	16	16	30	24	43	36.5	24.5	M 24 x 1.5
	ACI / HF/ABT/20S	20	20	36	27	48	44.5	26.5	M 30 x 2
	ACI / HF/ABT/25S	25	25	46	36	54	50	30	M 36 x 2
PN 315	ACI / HF/ABT/30S	30	30	50	41	62	55	35.5	M 42 x 2
	ACI / HF/ABT/38S	38	38	60	50	72	63	41	M 52 x 2

ADJUSTABLE RUN TEE with Standpipe

Design : ACI/ART

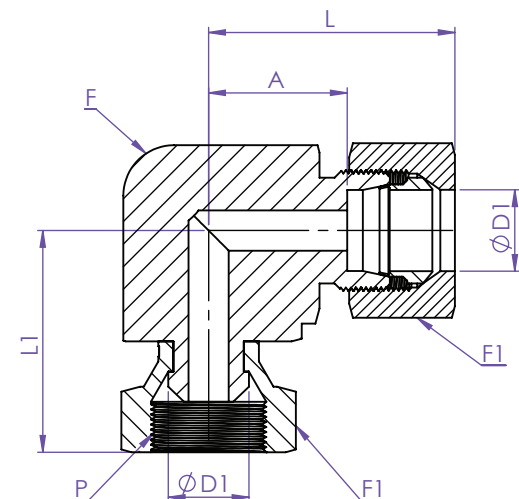
Series	Part No.	Tube ØD1	ØD2	F	F1	L1	L	A	B	P
L	ACI / HF/ART/06L	6	6	12	14	27	53	12	26	M 12 x 1.5
light	ACI / HF/ART/08L	8	8	12	17	29	56	14	27.5	M 14 x 1.5
PN 315	ACI / HF/ART/10L	10	10	14	19	30	59	15	29	M 16 x 1.5
	ACI / HF/ART/12L	12	12	17	22	32	62	17	29.5	M 18 x 1.5
	ACI / HF/ART/15L	15	15	19	27	36	69	21	32.5	M 22 x 1.5
	ACI / HF/ART/18L	18	18	24	32	40	75	23.5	35.5	M 26 x 1.5
PN 160	ACI / HF/ART/22L	22	22	27	36	44	83	27.5	38.5	M 30 x 2
	ACI / HF/ART/28L	28	28	36	41	47	91	30.5	41.5	M 36 x 2
	ACI / HF/ART/35L	35	35	41	50	56	111	34.5	51	M 45 x 2
	ACI / HF/ART/42L	42	42	50	60	63	123	40	56	M 52 x 2
S	ACI / HF/ART/06S	6	6	12	17	31	58	16	27	M 14 x 1.5
heavy	ACI / HF/ART/08S	8	8	14	19	32	61	17	27.5	M 16 x 1.5
PN 630	ACI / HF/ART/10S	10	10	17	22	34	66	17.5	30	M 18 x 1.5
	ACI / HF/ART/12S	12	12	17	24	38	71	21.5	31	M 20 x 1.5
	ACI / HF/ART/14S	14	14	19	27	40	75	22	35	M 22 x 1.5
PN 400	ACI / HF/ART/16S	16	16	24	30	43	79	24.5	36.5	M 24 x 1.5
	ACI / HF/ART/20S	20	20	27	36	48	93	26.5	44.5	M 30 x 2
	ACI / HF/ART/25S	25	25	36	46	54	105	30	50	M 36 x 2
	ACI / HF/ART/30S	30	30	41	50	62	119	35.5	55	M 42 x 2
PN 315	ACI / HF/ART/38S	38	38	50	60	72	138	41	63	M 52 x 2



SWIVEL ADJUSTABLE ELBOW with Cone

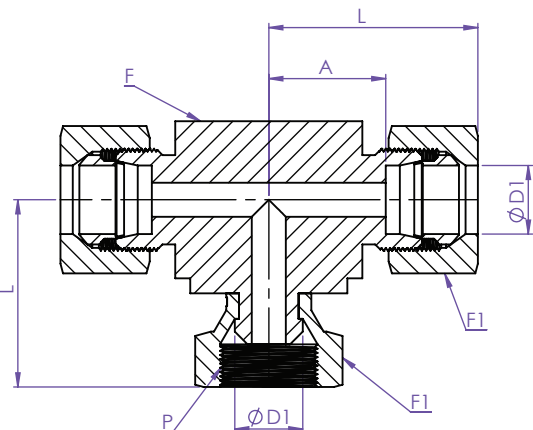
Design : ACI/SLE

Series	Part No.	Tube ØD1	F1	F	L	A	L1	P
L	ACI / HF/SLE/06L	6	14	12	27	12	26	M 12 x 1.5
light	ACI / HF/SLE/08L	8	17	12	29	14	27.5	M 14 x 1.5
PN 315	ACI / HF/SLE/10L	10	19	14	30	15	29	M 16 x 1.5
	ACI / HF/SLE/12L	12	22	17	32	17	29.5	M 18 x 1.5
	ACI / HF/SLE/15L	15	27	19	36	21	32.5	M 22 x 1.5
	ACI / HF/SLE/18L	18	32	24	40	23.5	35.5	M 26 x 1.5
PN 160	ACI / HF/SLE/22L	22	36	27	44	27.5	38.5	M 30 x 2
	ACI / HF/SLE/28L	28	41	36	47	30.5	41.5	M 36 x 2
	ACI / HF/SLE/35L	35	50	41	56	34.5	51	M 45 x 2
	ACI / HF/SLE/42L	42	60	50	63	40	56	M 52 x 2
S	ACI / HF/SLE/06S	6	17	12	31	16	27	M 14 x 1.5
heavy	ACI / HF/SLE/08S	8	19	14	32	17	27.5	M 16 x 1.5
PN 630	ACI / HF/SLE/10S	10	22	17	34	17.5	30	M 18 x 1.5
	ACI / HF/SLE/12S	12	24	17	38	21.5	31	M 20 x 1.5
	ACI / HF/SLE/14S	14	27	19	40	22	35	M 22 x 1.5
PN 400	ACI / HF/SLE/16S	16	30	24	43	24.5	36.5	M 24 x 1.5
	ACI / HF/SLE/20S	20	36	27	48	26.5	44.5	M 30 x 2
	ACI / HF/SLE/25S	25	36	36	54	30	50	M 36 x 2
	ACI / HF/SLE/30S	30	50	41	62	35.5	55	M 42 x 2
PN 315	ACI / HF/SLE/38S	38	60	50	72	41	63	M 52 x 2



SWIVEL BRANCH TEE with Cone

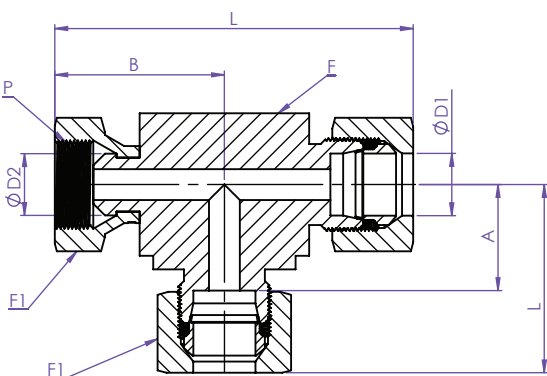
Design : ACI/SLBT



Series	Part No.	Tube ØD1	F1	F	L	L1	A	P
L	ACI / HF/SLBT/06L	6	14	12	27	26	12	M 12 x15
lighf	ACI / HF/SLBT/08L	8	17	12	29	27.5	14	M 14 x 1.5
PN 315	ACI / HF/SLBT/10L	10	19	14	30	29	15	M 16 x 1.5
	ACI / HF/SLBT/12L	12	22	17	32	29.5	17	M 18 x 1.5
	ACI / HF/SLBT/15L	15	27	19	36	32.5	21	M 22 x 1.5
	ACI / HF/SLBT/18L	18	32	24	40	35.5	23.5	M 26 x 1.5
PN 160	ACI / HF/SLBT/22L	22	36	27	44	38.5	27.5	M 30 x 2
	ACI / HF/SLBT/28L	28	41	36	47	41.5	30.5	M 36 x 2
	ACI / HF/SLBT/35L	35	50	41	56	51	34.5	M 45 x 2
	ACI / HF/SLBT/42L	42	60	50	63	56	40	M 52 x 2
S	ACI / HF/SLBT/06S	6	17	12	31	27	16	M 14 x 1.5
	ACI / HF/SLBT/08S	8	19	14	32	27.5	17	M 16 x 1.5
PN 6	ACI / HF/SLBT/10S	10	22	17	34	30	17.5	M 18 x 1.5
	ACI / HF/SLBT/12S	12	24	17	38	31	21.5	M 20 x 1.5
	ACI / HF/SLBT/14S	14	27	19	40	35	22	M 22 x 1.5
	PN 400	ACI / HF/SLBT/16S	16	30	24	43	36.5	24.5
	ACI / HF/SLBT/20S	20	36	27	48	44.5	26.5	M 30 x 2
	ACI / HF/SLBT/25S	25	46	36	54	50	30	M 36 x 2
	ACI / HF/SLBT/30S	30	50	41	62	55	35.5	M 36 x 2
	PN 315	ACI / HF/SLBT/38S	38	60	50	72	63	41

SWIVEL RUN TEE with Cone

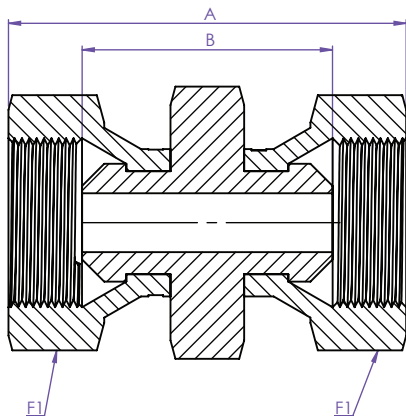
Design : ACI/SLRT



Series	Part No.	Tube ØD1	F1	F	L	L1	A	B	P
L	ACI / HF/SLRT/06L	6	14	12	27	53	12	26	M 12 x 1.5
light	ACI / HF/SLRT/08L	8	17	12	29	56	14	27.5	M 14 x 1.5
PN 315	ACI / HF/SLRT/10L	10	19	14	30	59	15	29	M 16 x 1.5
	ACI / HF/SLRT/12L	12	22	17	32	61	17	29.5	M 18 x 1.5
	ACI / HF/SLRT/15L	15	27	19	36	69	21	32.5	M 22 x 1.5
	ACI / HF/SLRT/18L	18	32	24	40	75	23.5	35.5	M 26 x 1.5
PN 160	ACI / HF/SLRT/22L	22	36	27	44	82	27.5	38.5	M 30 x 2
	ACI / HF/SLRT/28L	28	41	36	47	89	30.5	41.5	M 36 x 2
	ACI / HF/SLRT/35L	35	50	41	56	107	34.5	51	M 45 x 2
	ACI / HF/SLRT/42L	42	60	50	63	119	40	56	M 52 x 2
S	ACI / HF/SLRT/06S	6	17	12	31	58	16	27	M 14 x 1.5
	ACI / HF/SLRT/08S	8	19	14	32	59	17	27.5	M 16 x 1.5
PN 630	ACI / HF/SLRT/10S	10	22	17	34	64	17.5	30	M 18 x 1.5
	ACI / HF/SLRT/12S	12	24	17	38	69	21.5	31	M 20 x 1.5
	ACI / HF/SLRT/14S	14	27	19	40	75	22	35	M 22 x 1.5
	PN 400	ACI / HF/SLRT/16S	16	30	24	43	79	24.5	36.5
	ACI / HF/SLRT/20S	20	36	27	48	93	26.5	44.5	M 30 x 2
	ACI / HF/SLRT/25S	25	46	36	54	104	30	50	M 36 x 2
	ACI / HF/SLRT/30S	30	50	41	62	117	35.5	55	M 42 x 2
	PN 315	ACI / HF/SLRT/38S	38	60	50	72	135	41	63

SWIVEL UNION with Cone

Design : ACI/SLU

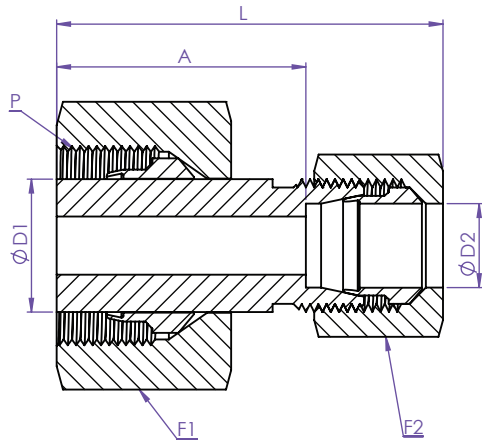


Series	Part No.	Tube ØD1	F1	L	A	B
L	ACI / HF/SLU/06L	6	17	64	36	34
Light	ACI / HF/SLU/08L	8	17	64	36	34
PN 500	ACI / HF/SLU/10L	10	19	67	37	36
PB 400	ACI / HF/SLU/12L	12	22	71	37	36
	ACI / HF/SLU/15L	15	27	82	40	39
	ACI / HF/SLU/18L	18	32	89.5	42.5	40.5
PB 250	ACI / HF/SLU/22L	22	36	102	47	45
	ACI / HF/SLU/28L	28	46	110	49	47
	ACI / HF/SLU/35L	35	50	127	58	53
	ACI / HF/SLU/42L	42	60	139	59	53
S	ACI / HF/SLU/06S	6	17	71	39	37
Heavy	ACI / HF/SLU/08S	8	19	73	39	37
PB 800	ACI / HF/SLU/10S	10	22	78	43	41
PN 630	ACI / HF/SLU/12S	12	24	87	44	43
	ACI / HF/SLU/14S	14	27	92	48	45
	ACI / HF/SLU/16S	16	30	99	50	46
Pn400	ACI / HF/SLU/20S	20	36	113	60	55
	ACI / HF/SLU/25S	25	46	126	66	58
	ACI / HF/SLU/30S	30	50	144	73	62
	ACI / HF/SLU/38S	38	60	165	83	67

REDUCER Standpipe

Series L (LIGHT)

Design : ACI/R-SP

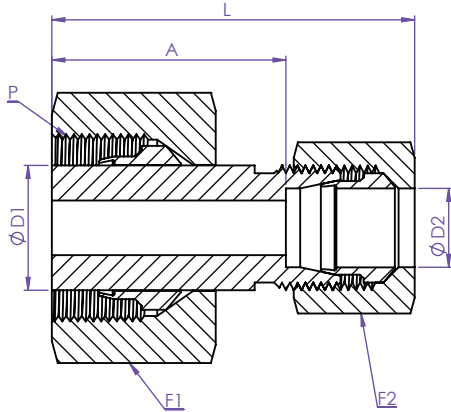


PN	Part No.	ØD1	Tube ØD2	F1	F2	L	A	P
PN 315	ACI / HF/R-SP/08L-06	8	6	17	14	38	23.5	M14 x 1.5
PN 315	ACI / HF/R-SP/10L-06	10	6	19	14	38	23.5	M16 x 1.5
	ACI / HF/R-SP/10L-08		8		17			
PN 315	ACI / HF/R-SP/12L-06	12	6	22	14	38	23.5	M18 x 1.5
	ACI / HF/R-SP/12L-08		8		17	38	23.5	
	ACI / HF/R-SP/12L-10		10		19	39-	24.5	
PN 315	ACI / HF/R-SP/15L-06	15	6	27	14	38	23.5	M22 x 1.5
	ACI / HF/R-SP/15L-08		8		17	38	23.5	
	ACI / HF/R-SP/15L-10		10		19	39	24.5	
	ACI / HF/R-SP/15L-12		12		22	39	24.5	
PN 315	ACI / HF/R-SP/18L-06	18	6	32	14	39	24.5	M26 x 1.5
	ACI / HF/R-SP/18L-08		8		17	39	24.5	
	ACI / HF/R-SP/18L-10		10		19	40	25.5	
	ACI / HF/R-SP/18L-12		12		22	40	25.5	
	ACI / HF/R-SP/18L-15		15		27	42	26.5	
PN 160	ACI / HF/R-SP/22L-06	22	6	36	14	40	25.5	M30 x 2
	ACI / HF/R-SP/22L-08		8		17	40	25.5	
	ACI / HF/R-SP/22L-10 -		10		19	41	26.5	
	ACI / HF/R-SP/22L-12		12		22	41	26.5	
	ACI / HF/R-SP/22L-15		15		27	43	27.5	
	ACI / HF/R-SP/22L-18		18		32	43	27	
PN 160	ACI / HF/R-SP/28L-06	28	6	41	14	41	26.5	M36 x 2
	ACI / HF/R-SP/28L-08		8		17	41	26.5	
	ACI / HF/R-SP/28L-10		10		19	42	27.5	
	ACI / HF/R-SP/28L-12		12		22	42	27.5	
	ACI / HF/R-SP/28L-15		15		27	44	28.5	
	ACI / HF/R-SP/28L-18		18		32	44	28	
	ACI / HF/R-SP/28L-22		22		36	46	30	
PN160	ACI / HF/R-SP/35L-06	35	6	50	14	46	31.5	M45 x 2
	ACI / HF/R-SP/35L-08		8		17	46	31.5	
	ACI / HF/R-SP/35L-10		10		19	47	32.5	
	ACI / HF/R-SP/35L-12		12		22	47	32.5	
	ACI / HF/R-SP/35L-15		15		27	49	33.5	
	ACI / HF/R-SP/35L-18		18		32	49	33	
	ACI / HF/R-SP/35L-22		22		36	51	35	
	ACI / HF/R-SP/35L-28		28		41	52	35	
PN 160	ACI / HF/R-SP/42L-10	42	10	60	19	48	33.5	M52 x 2
	ACI / HF/R-SP/42L-12		12		22	48	33.5	
	ACI / HF/R-SP/42L-15		15		27	50	34.5	
	ACI / HF/R-SP/42L-18		18		32	50	34	
	ACI / HF/R-SP/42L-22		22		36	52	36	
	ACI / HF/R-SP/42L-28		28		41	53	36	
	ACI / HF/R-SP/42L-35		35		50	57	35	

REDUCER Standpipe

Series-S (HEAVY)

Design : ACI/R-SP

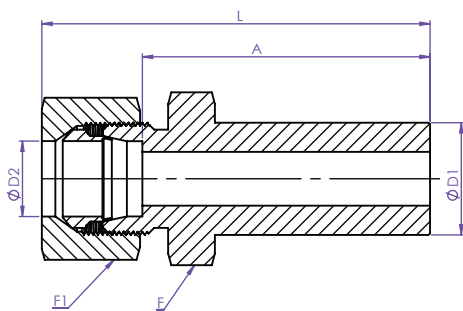


PN	PART NO.	Tube		F1	F2	L	A	P
		ØD1	ØD2					
PN 630	ACI / HF/R-SP/08S-06	8	6	19	17	40	25	M 16 x 1.5
PN 630	ACI / HF/R-SP/10S-06	10	6	22	17	41	26	M 18 x 1.5
	ACI / HF/R-SP/10S-08		8		19	41	26	
PN 630	ACI / HF/R-SP/12S-06	12	6	24	17	42	27	M 20 x 1.5
	ACI / HF/R-SP/12S-08		8		19	42	27	
	ACI / HF/R-SP/12S-10		10		22	43	26.5	
PN 630	ACI / HF/R-SP/14S-06	14	6	27	17	44	29	M 22 x 1.5
	ACI / HF/R-SP/14S-08		8		19	44	29	
	ACI / HF/R-SP/14S-10		10		22	45	28.5	
	ACI / HF/R-SP/14S-12		12		24	45	28.5	
PN 400	ACI / HF/R-SP/16S-06	16	6	30	17	44	29	M 24 x 1.5
	ACI / HF/R-SP/16S-08		8		19	44	29	
	ACI / HF/R-SP/16S-10		10		22	45	28.5	
	ACI / HF/R-SP/16S-12		12		24	45	28.5	
	ACI / HF/R-SP/16S-14		14		27	48	30	
	ACI / HF/R-SP/16S-16		16		30	53	34.5	
PN 400	ACI / HF/R-SP/20S-06	20	6	36	17	49	34	M 30 x 2
	ACI / HF/R-SP/20S-08		8		19	49	34	
	ACI / HF/R-SP/20S-10		10		22	50	33.5	
	ACI / HF/R-SP/20S-12		12		24	50	33.5	
	ACI / HF/R-SP/20S-14		14		27	53	35	
	ACI / HF/R-SP/20S-16		16		30	53	34.5	
PN 400	ACI / HF/R-SP/25S-06	25	6	46	17	52	37	M 36 x 2
	ACI / HF/R-SP/25S-08		8		19	52	37	
	ACI / HF/R-SP/25S-10		10		22	53	36.5	
	ACI / HF/R-SP/25S-12		12		24	53	36.5	
	ACI / HF/R-SP/25S-14		14		27	55	37	
	ACI / HF/R-SP/25S-16		16		30	55	36.5	
	ACI / HF/R-SP/25S-20		20		36	59	37.5	
PN 400	ACI / HF/R-SP/30S-06	30	6	50	17	54	39	M 42 x 2
	ACI / HF/R-SP/30S-08		8		19	54	39	
	ACI / HF/R-SP/30S-10		10		22	55	38.5	
	ACI / HF/R-SP/30S-12		12		24	55	38.5	
	ACI / HF/R-SP/30S-14		14		27	58	40	
	ACI / HF/R-SP/30S-16		16		30	58	39.5	
	ACI / HF/R-SP/30S-20		20		36	61	39.5	
	ACI / HF/R-SP/30S-25		25		46	64	40	
PN 315	ACI / HF/R-SP/38S-06	38	6	60	17	58	43	M 52 x 2
	ACI / HF/R-SP/38S-08		8		19	58	43	
	ACI / HF/R-SP/38S-10		10		22	59	42.5	
	ACI / HF/R-SP/38S-12		12		24	59	42.5	
	ACI / HF/R-SP/38S-14		14		27	62	44	
	ACI / HF/R-SP/38S-16		16		30	62	43.5	
	ACI / HF/R-SP/38S-20		20		36	65	43.5	
	ACI / HF/R-SP/38S-25		25		46	68	44	
	ACI / HF/R-SP/38S-30		30		50	71	44.5	

REDUCER Tube to Stub

Series-L (LIGHT)

Design : ACI/R-TS

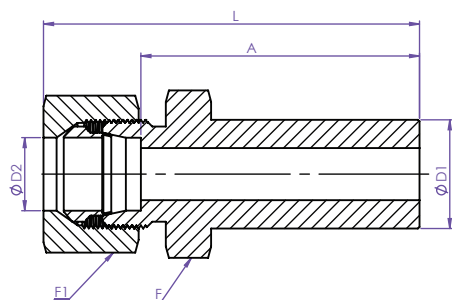


Series	PART NO.	Tube		F1	F	L	A
		ØD1	ØD2				
L	ACI / HF/R-TS/08L-06	8	6	14	12	40	25.5
Series	ACI / HF/R-TS/10L-06	10	6	14	12	42	27.5
PN 315	ACI / HF/R-TS/10L-08		8	17	14	43	27.5
	ACI / HF/R-TS/12L-06	12	6	14	14	42	27.5
	ACI / HF/R-TS/12L-08		8	17	14	43	27.5
	ACI / HF/R-TS/12L-10		10	19	17	44	28.5
	ACI / HF/R-TS/15L-06	15	6	14	19	44	
	ACI / HF/R-TS/15L-08		8	17	19	44	29
	ACI / HF/R-TS/15L-10		10	19	19	45	30
	ACI / HF/R-TS/15L-12		12	22	19	45	30
	ACI / HF/R-TS/18L-06	18	6	14	19	46	31
	ACI / HF/R-TS/18L-08		8	17	19	46	31
	ACI / HF/R-TS/18L-10		10	19	19	47	32
	ACI / HF/R-TS/18L-12		12	22	19	47	32
	ACI / HF/R-TS/18L-15		15	27	22	49	33
PN 160	ACI / HF/R-TS/18L-22	22	6	14	24	48	33
	ACI / HF/R-TS/18L-08		8	17	24	48	33
	ACI / HF/R-TS/18L-10		10	19	24	49	34
	ACI / HF/R-TS/18L-12		12	22	24	49	34
	ACI / HF/R-TS/18L-15		15	27	24	50	35
	ACI / HF/R-TS/18L-18		18	32	27	51	34.5
	ACI / HF/R-TS/28L-06	28	6	14	30	48	33
	ACI / HF/R-TS/28L-08		8	17	30	48	33
	ACI / HF/R-TS/28L-10		10	19	30	49	34
	ACI / HF/R-TS/28L-12		12	22	30	49	34
	ACI / HF/R-TS/28L-15		15	27	30	50	35
	ACI / HF/R-TS/28L-18		18	32	30	51	36
	ACI / HF/R-TS/28L-22		22	36	32	53	36.5
	ACI / HF/R-TS/35L-06	35	6	14	36	53	38.5
	ACI / HF/R-TS/35L-08		8	17	36	53	38.5
	ACI / HF/R-TS/35L-10		10	19	36	55	39.5
	ACI / HF/R-TS/35L-12		12	22	36	55	39.5
	ACI / HF/R-TS/35L-15		15	27	36	56	40.5
	ACI / HF/R-TS/35L-18		18	32	36	56	40
	ACI / HF/R-TS/35L-22		22	36	36	58	42
	ACI / HF/R-TS/35L-28		28	41	36	59	42
	ACI / HF/R-TS/42L-06	42	6	14	46	56	41
	ACI / HF/R-TS/42L-08		8	17	46	56	41
	ACI / HF/R-TS/42L-10		10	19	46	58	42
	ACI / HF/R-TS/42L-12		12	22	46	58	42
	ACI / HF/R-TS/42L-15		15	27	46	60	43
	ACI / HF/R-TS/42L-18		18	32	46	60	42.5
	ACI / HF/R-TS/42L-22		22	36	46	62	44.5
	ACI / HF/R-TS/42L-28		28	41	46	64	44.5
	ACI / HF/R-TS/42L-35		35	50	46	67	43.5

REDUCER Tube to Stub

Series-S (HEAVY)

Design : ACI/R-TS



Series	Part No.	Tube		F1	F	L	A
		ØD1	ØD2				
S	ACI / HF/R-TS/08S-06	8	6	17	14	43	28
Series	ACI / HF/R-TS/10S-06	10	6	17	14	45	30.5
PN 630	ACI / HF/R-TS/10S-08		8	19	17	45	30.5
	ACI / HF/R-TS/12S-06	12	6	17	14	47	32.5
	ACI / HF/R-TS/12S-06		8	19	17	47	32.5
	ACI / HF/R-TS/12S-10		0	22	19	48	32
	ACI / HF/R-TS/14S-06	14	6	17	17	51	36.5
	ACI / HF/R-TS/14S-08		8	19	17	51	36.5
	ACI / HF/R-TS/14S-10		10	22	19	52	36
	ACI / HF/R-TS/14S-12		12	24	22	52	36
	ACI / HF/R-TS/16S-06	16	6	17	17	53	38.5
	ACI / HF/R-TS/16S-08		8	19	17	53	38.5
	ACI / HF/R-TS/16S-10		10	22	19	54	38
	ACI / HF/R-TS/16S-12		12	24	22	55	38.5
	ACI / HF/R-TS/16S-14		14	27	22	57	39.5
PN 400	ACI / HF/R-TS/20S-06	20	6	17	22	58	43
	ACI / HF/R-TS/20S-08		8	19	22	58	43
	ACI / HF/R-TS/20S-10		10	22	22	59	42.5
	ACI / HF/R-TS/20S-12		12	24	22	59	42.5
	ACI / HF/R-TS/20S-14		14	27	22	62	44
	ACI / HF/R-TS/20S-06		16	30	24	62	43.5
	ACI / HF/R-TS/25S-06	25	6	17	27	62	47.5
	ACI / HF/R-TS/25S-08		8	19	27	62	47.5
	ACI / HF/R-TS/25S-10		10	22	27	63	47
	ACI / HF/R-TS/25S-12		12	24	27	63	47
	ACI / HF/R-TS/25S-14		14	27	27	66	48.5
	ACI / HF/R-TS/25S-16		16	30	27	66	48
	ACI / HF/R-TS/25S-20		20	36	30	70	48
	ACI / HF/R-TS/30S-06	30	6	17	32	67	52
	ACI / HF/R-TS/30S-08		8	19	32	67	52
	ACI / HF/R-TS/30S-10		10	22	32	68	51.5
	ACI / HF/R-TS/30S-12		12	24	32	68	PN 315 51.5
	ACI / HF/R-TS/30S-14		14	27	32	71	53
	ACI / HF/R-TS/30S-16		16	30	32	71	52.5
	ACI / HF/R-TS/30S-20		20	36	32	74	52.5
	ACI / HF/R-TS/30S-22		22	46	36	77	53

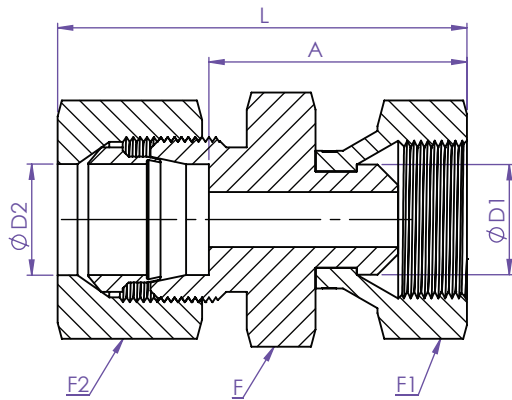
PN 315	ACI / HF/R-TS/38S-06	38	6	17	41	72	57
	ACI / HF/R-TS/38S-08		8	19	41	72	57
	ACI / HF/R-TS/38S-10		10	22	41	73	56.5
	ACI / HF/R-TS/38S-12		12	24	41	73	56.5
	ACI / HF/R-TS/38S-14		14	27	41	76	58
	ACI / HF/R-TS/38S-16		16	30	41	76	57.5
	ACI / HF/R-TS/38S-20		20	36	41	79	57.5
	ACI / HF/R-TS/38S-25		25	46	41	82	58
	ACI / HF/R-TS/38S-30		30	50	46	89	58.5

HYDRAULIC FITTINGS

SWIVEL REDUCING ADAPTER

Series-L(LIGHT)

Design : ACI/SLRA

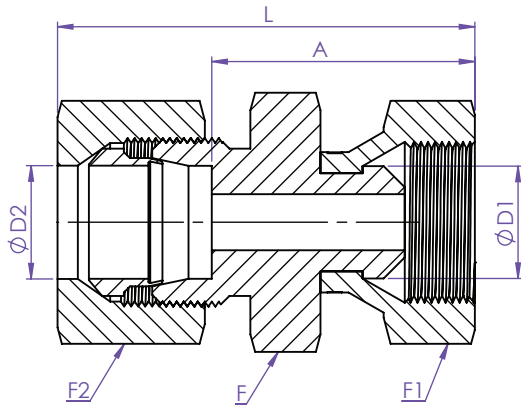


PN	Part No.	Tube		F1	F2	F	L	A
		ØD1	ØD2					
PN 315	ACI / HF/SLRA/08L-06	8	6	17	14	14	39	24.5
PN 315	ACI / HF/SLRA/10S-06	10	6	19	14	17	39.5	24.5
	ACI / HF/SLRA/10S-08		8		17		39.5	24.5
	ACI / HF/SLRA/12S-06	12	6	22	14	17	40	25
PN 315	ACI / HF/SLRA/12S-08		8		17		40	25
	ACI / HF/SLRA/12S-10		10		19		41	26
	ACI / HF/SLRA/15S-06	15	6	27	14	22	42	27.5
PN 315	ACI / HF/SLRA/15S-08		8		17		42	27.5
	ACI / HF/SLRA/15S-10		10		19		43	28.5
	ACI / HF/SLRA/15S-12		12		22		43	28.5
	ACI / HF/SLRA/18S-06	18	6	32	14	25	43	28
	ACI / HF/SLRA/18S-08		8		17		43	28
PN 315	ACI / HF/SLRA/18S-10		10		19		44.5	29.5
	ACI / HF/SLRA/18S-12		12		22		44.5	29.5
	ACI / HF/SLRA/18S-15		15		27		45.5	30.5
	ACI / HF/SLRA/22S-06	22	6	36	14	28.5	47	32
	ACI / HF/SLRA/22S-08		8		17		47	32
PN 160	ACI / HF/SLRA/22S-10		10		19		48	33
	ACI / HF/SLRA/22S-12		12		22		48	33
	ACI / HF/SLRA/22S-14		15		27		49	34
	ACI / HF/SLRA/22S-18		18		32		50	33.5
	ACI / HF/SLRA/28S-06	28	6	41	14	36	49	34
	ACI / HF/SLRA/28S-08		8		17		49	34
	ACI / HF/SLRA/28S-10		10		19		50	35
PN 160	ACI / HF/SLRA/28S-12		12		22		50	35
	ACI / HF/SLRA/28S-15		15		27		51	36
	ACI / HF/SLRA/28S-18		18		32		52	35.5
	ACI / HF/SLRA/28S-22		22		36		54	37.5
	ACI / HF/SLRA/35S-06	35	6	50	14	46	55	40
	ACI / HF/SLRA/35S-08		8		17		55	40
	ACI / HF/SLRA/35S-10		10		19		56	41
PN 160	ACI / HF/SLRA/35S-12		12		22		56	41
	ACI / HF/SLRA/35S-15		15		27		57	42
	ACI / HF/SLRA/35S-18		18		32		58	41.5
	ACI / HF/SLRA/35S-22		22		36		60	43.5
	ACI / HF/SLRA/35S-28		28		41		60	43.5
	ACI / HF/SLRA/42S-06	42	6	60	14	50	55	40.5
	ACI / HF/SLRA/42S-08		8		17		55	40.5
	ACI / HF/SLRA/42S-10		10		19		56	41.5
	ACI / HF/SLRA/42S-12		12		22		56	41.5
PN 160	ACI / HF/SLRA/42S-15		15		27		58	42.5
	ACI / HF/SLRA/42S-18		18		32		58	42
	ACI / HF/SLRA/42S-22		22		36		60	44
	ACI / HF/SLRA/42S-28		28		41		61	44
	ACI / HF/SLRA/42S-35		35		50		65	43

SWIVEL REDUCING ADAPTER

Series-H (HEAVY)

Design : ACI/HF/SLR

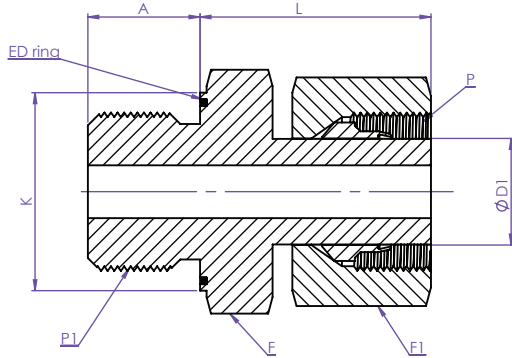


PN	Part No.	Tube		F1	F2	F	L	A
		ØD1	ØD2					
PN 630	ACI / HF/SLRA/08S-06	8	6	19	17	17	44	28
PN 630	ACI / HF/SLRA/10S-06	10	6	22	17	17	44	29.5
	ACI / HF/SLRA/10S-08		8		19		44	29.5
	ACI / HF/SLRA/12S-06	12	6	24	17	19	45	30
PN 630	ACI / HF/SLRA/12S-08		8		19		45	30
	ACI / HF/SLRA/12S-10		10		22		46	29.5
	ACI / HF/SLRA/14S-06	14	6	27	17	22	47.5	33
PN 630	ACI / HF/SLRA/14S-08		8		19		47.5	33
	ACI / HF/SLRA/14S-10		10		22		48.5	32.5
	ACI / HF/SLRA/14S-12		12		24		48.5	32.5
	ACI / HF/SLRA/16S-06	16	6	30	17	24	50	35
	ACI / HF/SLRA/16S-08		8		19		50	35
PN 630	ACI / HF/SLRA/16S-10		10		22		51	34.5
	ACI / HF/SLRA/16S-12		12		24		51	34.5
	ACI / HF/SLRA/16S-14		14		27		54	36
	ACI / HF/SLRA/20S-06	20	6	36	17	28.5	54	39
	ACI / HF/SLRA/20S-08		8		19		54	39
PN 400	ACI / HF/SLRA/20S-10		10		22		55	38.5
	ACI / HF/SLRA/20S-12		12		24		55	38.5
	ACI / HF/SLRA/20S-14		14		27		58	40
	ACI / HF/SLRA/20S-16		16		30		58	39.5
	ACI / HF/SLRA/25S-06	25	6	46	17	3.6	58	43.5
	ACI / HF/SLRA/25S-08		8		19		58	43.5
	ACI / HF/SLRA/25S-10		10		22		59	4.3
PN 400	ACI / HF/SLRA/25S-12		12		24		59	43
	ACI / HF/SLRA/25S-14		14		27		62	44.5
	ACI / HF/SLRA/25S-16		16		30		62	44
	ACI / HF/SLRA/25S-20		20		36		66	44
	ACI / HF/SLRA/30S-06	30	6	50	17	41	66	51
	ACI / HF/SLRA/30S-08		8		19		66	51
	ACI / HF/SLRA/30S-10		10		22		67	50.5
PN 400	ACI / HF/SLRA/30S-12		12		24		67	50.5
	ACI / HF/SLRA/30S-14		14		27		70	52
	ACI / HF/SLRA/30S-16		16		30		70	51.5
	ACI / HF/SLRA/30S-20		20		36		73	51.5
	ACI / HF/SLRA/30S-06		25		46		76	52
	ACI / HF/SLRA/38S-06	38	6	60	17	50	70.5	56
	ACI / HF/SLRA/38S-08		8		19		70.5	56
	ACI / HF/SLRA/38S-10		10		22		71.5	55.5
	ACI / HF/SLRA/38S-12		12		24		71.5	55.5
PN 315	ACI / HF/SLRA/38S-14		14		27		74.5	57
	ACI / HF/SLRA/38S-16		16		30		74.5	56.5
	ACI / HF/SLRA/38S-20		20		36		78.5	56.5
	ACI / HF/SLRA/38S-25		25		46		81.5	57
	ACI / HF/SLRA/38S-30		30		50		85.5	58.5

ADAPTER BSP Parallel with ED-ring

Design : ACI/A/GED

FOR BSP PARALLEL

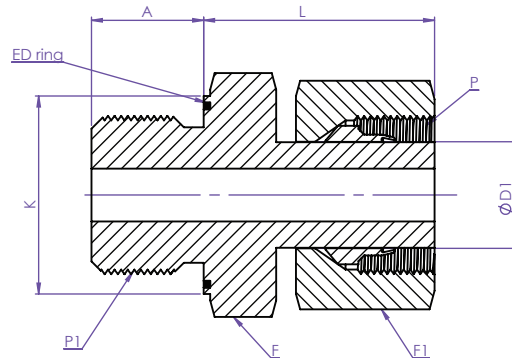


Series	Part No.	Tube ØD1	F1	F	K	L	A	P1 G	P
L	ACI / HF/A/06L-02GED	6	14	14	14	24.5	8	1/8	M12 x 1.5
light	ACI / HF/A/08L-04GED	8	17	19	19	29.5	12	1/4	M 14 x 1.5
PN 315	ACI / HF/A/10L-04GED	10	19	19	19	27.5	12	1/4	M 16 x 1.5
	ACI / HF/A/12L-16GED	12	22	22	22	34	12	3/8	M 18 x 1.5
	ACI / HF/A/15L-20GED	15	27	27	27	32	14	1/2	M 22 x 1.5
	ACI / HF/A/18L-08GED	18	32	27	27	31.5	14	1/2	M 26 x 1.5
PN 160	ACI / HF/A/06L-02GED	22	36	32	32	32.5	16	3/4	M 30 x 2
	ACI / HF/A/28L-16GED	28	41	41	40	35	18	1	M 36 x 2
	ACI / HF/A/28L-18GED	35	50	50	50	42.5	20	1 1/4	M 45 x 2
	ACI / HF/A/28L-24GED	42	60	55	55	46.5	22	1 1/2	M 52 x 2
S	ACI / HF/A/06S-04GED	6	17	19	19	27	12	1/4	M 14 x 2
heavy	ACI / HF/A/08S-04GED	8	19	19	19	29.5	12	1/4	M 16 x 1.5
PN 630	ACI / HF/A/10S-06GED	10	22	22	22	32	12	3/8	M 18 x 1.5
	ACI / HF/A/06S-04GED	12	24	22	22	34	12	3/8	M 20 x 1.5
	ACI / HF/A/06S-04GED	12	24	27	27	34.5	14	1/2	M 20 x 1.5
	ACI / HF/A/14S-08GED	14	27	27	27	36.5	14	1/2	M 22 x 1.5
PN 400	ACI / HF/A/16S-08GED	16	30	27	27	37	14	1/2	M 24 x 1.5
	ACI / HF/A/16S-12GED	16	30	32	32	39	16	3/4	M 24 x 1.5
	ACI / HF/A/20S-12GED	20	36	32	32	43	16	3/4	M 30 x 2
	ACI / HF/A/25S-16GED	25	46	41	40	48	18	1	M 36 x 2
	ACI / HF/A/30S-20GED	30	50	50	50	51	20	1 1/4	M 42 x 2
	ACI / HF/A/38S-24GED	38	60	55	55	60	22	1 1/2	M 52 x 2

ADAPTER Metric Parallel with ED-ring

Design : ACI/A/MED

FOR METRIC PARALLEL



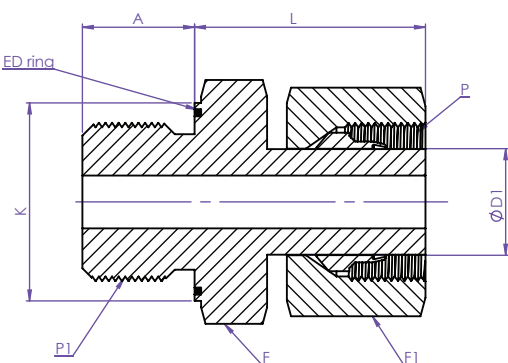
Series	Part No.	Tube ØD1	F1	F	K	L	A	P1 (Metric)	P
L	ACI / HF/A/06L-10MED	6	14	14	14	24.5	8	M 10 x 1	M 12 x 1.5
light	ACI / HF/A/08L-12MED	8	17	17	17	26.5	12	M 12 x 1.5	M 14 x 1.5
PN 315	ACI / HF/A/10L-14MED	10	19	19	19	27.5	12	M 14 x 1.5	M 16 x 1.5
	ACI / HF/A/12L-16MED	12	22	22	22	30.5	12	M 16 x 1.5	M 18 x 1.5
	ACI / HF/A/15L-18MED	15	27	24	24	31.5	14	M 18 x 1.5	M 22 x 1.5
	ACI / HF/A/18L-22MED	18	32	27	27	31.5	14	M 22 x 1.5	M 26 x 1.5
PN 160	ACI / HF/A/22L-26MED	22	36	32	32	32.5	16	M 26 x 1.5	M 30 x 2
	ACI / HF/A/28L-26MED	28	41	41	40	35	18	M 33 x 2	M 36 x 2
	ACI / HF/A/35L-42MED	35	50	50	50	42.5	20	M 42 x 2	M 45 x 2
	ACI / HF/A/42L-48MED	42	60	55	55	46.5	22	M 48 x 2	M 52 x 2
S	ACI / HF/A/06S-12MED	6	17	17	17	27	12	M 12 x 1.5	M 14 x 1.5
heavy	ACI / HF/A/8S-14MED	8	19	19	19	29.5	12	M 14x 1.5	M 16 x 1.5
PN 630	ACI / HF/A/10S-16MED	10	22	22	22	32	12	M 16 x 1.5	M 18 x 1.5
	ACI / HF/A/12S-18MED	12	24	24	24	34	12	M 18 x 1.5	M 20 x 1.5
	ACI / HF/A/14S-20MED	14	27	27	27	36.5	14	M 20 x 1.5	M 22 x 1.5
PN 400	ACI / HF/A/16S-22MED	16	30	27	27	37	14	M 22 x 1.5	M 24 x 1.5
	ACI / HF/A/20S-27MED	20	36	32	32	43	16	M 27 x 2	M 30 x 2
	ACI / HF/A/25S-30MED	25	46	41	40	48	18	M 33 x 2	M 36 x 2
	ACI / HF/A/30S-42MED	30	50	50	50	51	20	M 42 x 2	M 42 x 2
	ACI / HF/A/38S-48MED	38	60	55	55	60	22	M 48 x 2	M 52 x 2

SWIVEL ADAPTER BSP Parallel with Cone

Design : ACI/SLA/G

FOR BSP PARALLEL

Series	Part No.	Tube ØD1	F1	F	K	L	A	P1 G	P
L	ACI / HF/SLA/06L-02G	6	14	14	14	24.5	8	1/8	M 12 x 1.5
light	ACI / HF/SLA/08L-04G	8	17	19	19	29.5	12	1/4	M 14 x 1.5
PN 315	ACI / HF/SLA/10L-04G	10	19	19	19	27.5	12	1/4	M 16 x 1.5
	ACI / HF/SLA/12L-06G	12	22	22	22	34	12	3/8	M 18 x 1.5
	ACI / HF/SLA/15L-08G	15	27	27	27	32	14	1/2	M 22 x 1.5
	ACI / HF/SLA/18L-08G	18	32	27	27	31.5	14	1/2	M 26 x 1.5
PN 160	ACI / HF/SLA/22L-12G	22	36	32	32	32.5	16	3/4	M 30 x 2
	ACI / HF/SLA/28L-16G	28	41	41	40	35	18	1	M 36 x 2
	ACI / HF/SLA/35L-20G	35	50	50	50	42.5	20	1 1/4	M 45 x 2
	ACI / HF/SLA/42L-24G	42	60	55		46.5	22	1 1/2	M 52 x 2
S	ACI / HF/SLA/06S-04G	6	17	19	19	27	12	1/4	M 14 x 1.5
heavy	ACI / HF/SLA/08S-04G	8	19	19	19	29.5	12	1/4	M 16 x 1.5
PN 630	ACI / HF/SLA/10S-06G	10	22	22	22	32	12	3/8	M 18 x 1.5
	ACI / HF/SLA/12S-06G	12	24	22	22	34	12	3/8	M 20 x 1.5
	ACI / HF/SLA/14S-08G	14	27	27	27	36.5	14	1/2	M 22 x 1.5
PN 400	ACI / HF/SLA/16S-08G	16	30	27	27	37	14	1/2	M 24 x 1.5
	ACI / HF/SLA/20S-12G	20	36	32	32	43	16	3/4	M 30 x 2
	ACI / HF/SLA/25S-16G	25	36	41	40	48	19	3/8	M 36 x 2
	ACI / HF/SLA/30S-20G	30	50	50	50	51	20	1 1/4	M 42 x 2
PN 315	ACI / HF/SLA/38S-24G	38	60	55	55	60	27	1 1/2	M 36 x 2

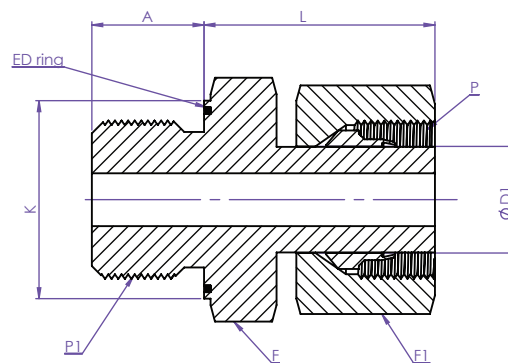


SWIVEL ADAPTER Metric Parallel with Cone

Design : ACI/SLA/L

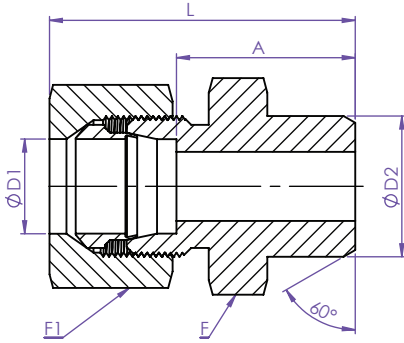
FOR METRIC PARALLEL

Series	Part No.	Tube ØD1	F1	F	K	L	A	P1 (Metric)	P
L	ACI / HF/SLA/06L-10M	6	14	14	14	24.5	8	10 x 1	M 12 x 1.5
Light	ACI / HF/SLA/08L-12M	8	17	19	17	26.5	12	12 x 1.5	M 14 x 1.5
PN 315	ACI / HF/SLA/10L-14M	10	19	19	19	27.5	12	14 x 1.5	M 16 x 1.5
	ACI / HF/SLA/12L-16M	12	22	22	22	30.5	12	16 x 1.5	M 18 x 1.5
	ACI / HF/SLA/15L-18M	15	27	24	24	31.5	12	18 x 1.5	M 22 x 1.5
	ACI / HF/SLA/18L-22M	18	32	27	27	31.5	14	22 x 1.5	M 26 x 1.5
PN 160	ACI / HF/SLA/22L-26M	22	36	32	32	32.5	16	26 x 1.5	M 30 x 2
	ACI / HF/SLA/28L-33M	28	41	41	40	35	18	33 x 2	M 36 x 2
	ACI / HF/SLA/35L-42M	35	50	50	50	42.5	20	42 x 2	M 45 x 2
	ACI / HF/SLA/42L-48M	42	60	55	55	46.5	22	48 x 2	M 52 x 2
S	ACI / HF/SLA/06S-12M	6	17	17	17	27	12	12 x 1.5	M 14 x 1.5
Heavy	ACI / HF/SLA/08S-14M	8	19	19	19	29.5	12	14 x 1.5	M 16 x 1.5
PN 630	ACI / HF/SLA/10S-16M	10	22	22	22	32	12	16 x 1.5	M 18 x 1.5
	ACI / HF/SLA/12S-18M	12	24	24	24	34	12	18 x 1.5	M 20 x 1.5
	ACI / HF/SLA/14S-20M	14	27	27	26	36.5	14	20 x 1.5	M 22 x 1.5
PN 400	ACI / HF/SLA/16S-22M	16	30	27	27	37	14	22 x 1.5	M 24 x 1.5
	ACI / HF/SLA/20S-27M	20	36	32	32	43	16	27 x 2	M 30 x 2
	ACI / HF/SLA/25S-33M	25	46	41	40	48	18	33 x 2	M 36 x 2
	ACI / HF/SLA/30S-42M	30	50	50	50	51	20	42 x 2	M 42 x 2
PN 315	ACI / HF/SLA/38S-48M	38	60	55	55	60	22	48 x 2	M 52 x 2



WELD CONNECTOR

Design : ACI/WC

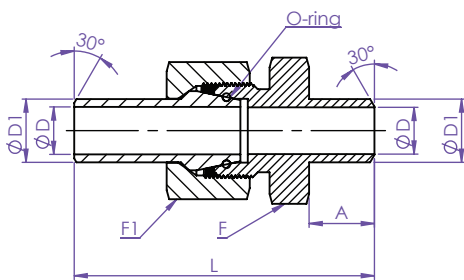


Series	Part No.	Tube ØD1	ØD2	F1	F	L	A
L	ACI / HF/WC/06L	6	10	14	12	29	14
light	ACI / HF/WC/08L	8	12	17	14	31	16
PN 315	ACI / HF/WC/10L	10	14	19	17	33	18
	ACI / HF/WC/12L	12	16	22	19	33	18
	ACI / HF/WC/15L	15	19	27	22	37	22
	ACI / HF/WC/18L	18	22	32	27	40	23.5
	ACI / HF/WC/22L	22	27	36	32	45	28.5
PN 160	ACI / HF/WC/28L	28	32	41	41	47	30.5
	ACI / HF/WC/35L	35	40	50	46	54	32.5
	ACI / HF/WC/42L	42	46	60	55	58	35
S heavy	ACI / HF/WC/06S	6	11	17	14	34	19
	ACI / HF/WC/08S	8	13	19	17	36	21
PN 630	ACI / HF/WC/10S	10	15	22	19	39	22.5
	ACI / HF/WC/12S	12	17	24	22	41	24.5
	ACI / HF/WC/14S	14	19	27	24	45	27
PN 400	ACI / HF/WC/16S	16	21	30	27	45	26.5
	ACI / HF/WC/20S	20	26	36	32	51	29.5
	ACI / HF/WC/25S	25	31	46	41	56	32
	ACI / HF/WC/30S	30	36	50	46	62	35.5
PN 315	ACI / HF/WC/38S	38	44	60	55	69	38

WELD CONNECTOR Union Ball Joint

/WC-UJ/10 x 1.0

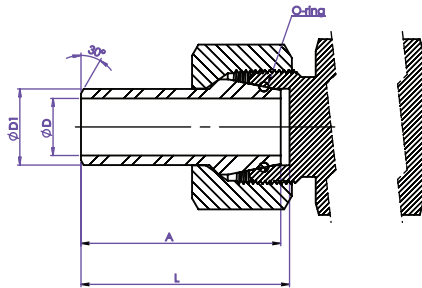
Design : ACI/WC



Series S Max. Pressure	Part No.	Tube ØD1	ØD	F1	F	L	A
PB 248	ACI / HF/WC-UJ/10x 1.0	10	8	22	19	58	10
PB 357	ACI / HF/WC-UJ/10x 1.5		7				
PB 458	ACI / HF/WC-UJ/10x 2.0		6				
PB 303	ACI / HF/WC-UJ/12x 1.5	12	9	24	-22	65	15
PB 391	ACI / HF/WC-UJ/12x 2.0		8				
PB 474	ACI / HF/WC-UJ/12x 2.5		7				
PB 234	ACI / HF/WC-UJ/16x 1.5	16	13	30	27	74.5	16.5
PB 303	ACI / HF/WC-UJ/16x 2.0		12				
PB 370	ACI / HF/WC-UJ/16x 2.5		11				
PB 433	ACI / HF/WC-UJ/16x 3.0		10				
PB 249	ACI / HF/WC-UJ/20x 2.0	20	16	36	32	84	9
PB 305	ACI / HF/WC-UJ/20x 2.5		15				
PB 357	ACI / HF/WC-UJ/20x 3.0		14				
PB 458	ACI / HF/WC-UJ/20x 3.5		12				
PB 292	ACI / HF/WC-UJ/25x 3.0	25	19	46	41	94.5	19.5
PB 378	ACI / HF/WC-UJ/25x 4.0		17				
PB 458	ACI / HF/WC-UJ/25x 4.5		15				
PB 248	ACI / HF/WC-UJ/30x 3.0	30	24	50	46	102	23
PB 321	ACI / HF/WC-UJ/30x 4.0		22				
PB 391	ACI / HF/WC-UJ/30x 5.0		20				
PB 460	ACI / HF/WC-UJ/30x 5.0		18				
PB 260	ACI / HF/WC-UJ/38x 4.0	38	30	60	55	111	23
PB 318	ACI / HF/WC-UJ/38x 5.0		28				
PB 373	ACI / HF/WC-UJ/38x 6.0		26				
PB 427	ACI / HF/WC-UJ/38x 6.0		24				

PORT WELD CONNECTOR

Design : ACI/PWC

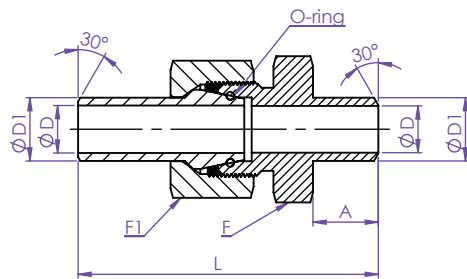


Pressure Rating Fittings	PWC & Tube	Part No.	Tube			L	A
			ØD1	ØD2	ØD		
PN 630	PB 248	ACI / HF/PWC/10x 1.0	10		8	35.5	33
	PB 357	ACI / HF/PWC/10x 1.5			7		
	PB 458	ACI / HF/PWC/10x 2.0			6		
PN 630	PB 303	ACI / HF/PWC/12x 1.5	12		9	35.5	33
	PB 391	ACI / HF/PWC/12x 2.0			8		
	PB 474	ACI / HF/PWC/12x 2.5			7		
PN 400	PB 234	ACI / HF/PWC/16x 1.5	16		13	42.5	
	PB 303	ACI / HF/PWC/16x 2.0			12		
	PB 370	ACI / HF/PWC/16x 2.5			11		
	PB 433	ACI / HF/PWC/16x 3.0			10		
PN 400	PB 249	ACI / HF/PWC/20x 2.0	20		16	47.5	43.5
	PB 303	ACI / HF/PWC/20x 2.5			15		
	PB 357	ACI / HF/PWC/20x 3.0			14		
	PB 458	ACI / HF/PWC/20x 4.0			12-		
PN 400	PB 292	ACI / HF/PWC/25x 3.0	25		19	55	49.5
	PB 378	ACI / HF/PWC/25x 3.0			17		
	PB 458	ACI / HF/PWC/25x 5.0			15		
PN 400	P3 248	ACI / HF/PWC/30x 3.5	30		24	58.5	51.5
	PB 321	ACI / HF/PWC/30x 4.0			22		
	PB 391	ACI / HF/PWC/30x 5.0			20		
	PB 460	ACI / HF/PWC/30x 6.0			18		
PN 315	PB 260	ACI / HF/PWC/38x 4.0	38		30	66	56.5
	PB 318	ACI / HF/PWC/38x 5.0			28		
	PB 373	ACI / HF/PWC/38x 6.0			26		
	PB 427	ACI / HF/PWC/38x 7.0			24		

REDUCING PORT WELD CONNECTOR

/RP-WC/10x06x1.5

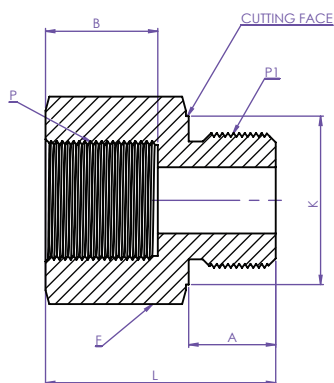
Design : ACI/PWC



Pressure Rating Fittings	PWC & Tube	Part No.	Tube			L1	L	A
			ØD1	ØD2	ØD			
PN 630	PB 526	ACI / HF/RP-WC/10x06x1.5	10	6	3	37.5	35	12
	PB 526	ACI / HF/RP-WC/10x08x2.0	10	8	4	37.5	35	12
	PB 526	ACI / HF/RP-WC/12x08x2.0	12	8	4	37.5	35	14
PN 400	PB 357	ACI / HF/RP-WC/12x10x2.5	12	10	7	37.5	35	14
	PB 474	ACI / HF/RP-WC/12x12x2.5	16	12	7	46.5	43	15
	PB 474	ACI / HF/RP-WC/20x12x2.5	20	12	7	51.5	47.5	15
PN 400	PB 433	ACI / HF/RP-WC/20x16x3.0	20	16	10	53.5	49.5	17
	PB 433	ACI / HF/RP-WC/20x16x3.0	20	16	10	56.5	51	17
	PB 458	ACI / HF/RP-WC/25x20x3.5	25	20	12	59.5	54	20
	PB 303	ACI / HF/RP-WC/30x16x2.0	30	16	12	67	60	17
PN 315	PB 303	ACI / HF/RP-WC/30x20x2.5	30	20	15	70	63	20
	PB 292	ACI / HF/RP-WC/30x25x3.0	30	25	19	70	63	20
	PB 303	ACI / HF/RP-WC/38x16x2.0	38	16	12	79	69.5	17
	PB 303	ACI / HF/RP-WC/38x20x2.5	38	20	15	82	72.5	20
PN 315	PB 292	ACI / HF/RP-WC/38x25x3.0	38	25	19	82	72.5	20
	PB 321	ACI / HF/RP-WC/38x30x3.5	38	30	22	82	72.5	20

REDUCING ADAPTER BSP Parallel

Design : ACI/RA/G

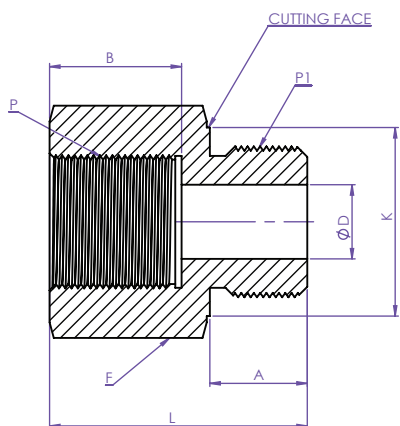


Form B stud end

PB	Part No.	F	K	L	A	B	Male-P1 G	Female-P G
PB 630	ACI / HF/RA/06-02G	22	22	22.5	12	8	3/8	1/8
PB 630	ACI / HF/RA/08-02G	27	26	24	14	8	1/2	1/8
PB 400	ACI / HF/RA/08-04G	27	26	24	14	12	1/2	1/4
PB 400	ACI / HF/RA/12-04G	32	32	26	16	12	3/4	1/4
	ACI / HF/RA/12-06G	32	32	26	16	12	3/4	3/8
PB 400	ACI / HF/RA/16-04G	41	39	29	18	12	1	1/4
	ACI / HF/RA/16-06G	41	39	29	18	12	1	3/8
	ACI / HF/RA/16-08G	41	39	29	18	14	1	1/2
PB 250	ACI / HF/RA/20-08G	50	49	32	20	14	1 1/4	1/2
	ACI / HF/RA/20-12G	50	49	32	20	16	1 1/4	3/4
PB 250	ACI / HF/RA/20-16G	55	55	36	22	14	1 1/2	1/2
	ACI / HF/RA/24-12G	55	55	36	22	16	1 1/2	3/4
	ACI / HF/RA/24-16G	55	55	36	22	18	1 1/2	1

GAUGE ADAPTER BSP Parallel

Design : ACI/GA/G

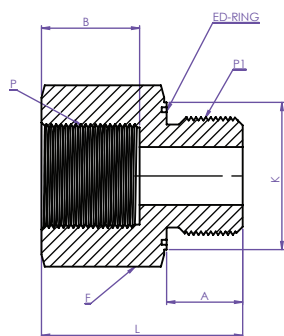


PB	Part No.	ØD	F	K	L	A	B	Male P1 G	Female P G
PB 630	ACI / HF/GA/02-04G	4	19	14	31	8	17	1/8	1/4
	ACI / HF/GA/02-06G	4	24	14	32	8	17	1/8	3/8
PB 630	ACI / HF/GA/04-02G	5	19	18	28	12	1.2	1/4	1/8
	ACI / HF/GA/04-06G	5	24	18	36	12	1.7	1/4	3/8
	ACI / HF/GA/04-08G	5	30	18	40	12	20	1/4	1/2
PB 400	ACI / HF/GA/04-12G	5	36	18	43	12	22	1/4	3/4
PB 630	ACI / HF/GA/06-04G	8	22	22	36	12	17	3/8	1/4
	ACI / HF/GA/06-08G	8	30	22	41	12	20	3/8	1/2
PB 250	ACI / HF/GA/06-12G	8	36	22	44	12	22	3/8	3/4
PB 400	ACI / HF/GA/08-06G	12	27	26	36	14	17	1/2	3/8
	ACI / HF/GA/08-12G	12	36	26	46	14	22	1/2	3/4
	ACI / HF/GA/08-16G	12	41	26	49	14	24.5	1/2	1
PB 250	ACI / HF/GA/08-20G	10	55	26	53	14	26.5	1/2	1 1/4
PB 400	ACI / HF/GA/12-08G	16	32	32	41	16	20	3/4	1/2
	ACI / HF/GA/12-16G	16	41	32	51	16	24.5	3/4	1
	ACI / HF/GA/12-20G	16	55	32	55	16	26.5	3/4	1 1/4
PB 250	ACI / HF/GA/12-24G	16	60	32	57	16	28.5	3/4	1 1/2
PB 400	ACI / HF/GA/16-12G	20	41	39	47	18	22	1	3/4
PB 250	ACI / HF/GA/16-20G	20	55	39	57	18	26.5	1	1 1/4
	ACI / HF/GA/16-24G	20	60	39	59	18	28.5	1	1 1/2
PB 250	ACI / HF/GA/20--16G	25	50	49	52	20	24.5	1 1/4	1
	ACI / HF/GA/20-24G	25	60	49	60	20	28.5	1 1/4	1 1/2
PB 250	ACI / HF/GA/20-24G	32	55	55	58	22	26.5	1 1/2	1 1/4
PB 250	ACI / HF/GA/32-24G	40	70	68	62	24	28.5	2	1 1/2

REDUCING ADAPTER BSP Parallel with ED-ring

RA/06-02GED

Design :ACI/RA/GED

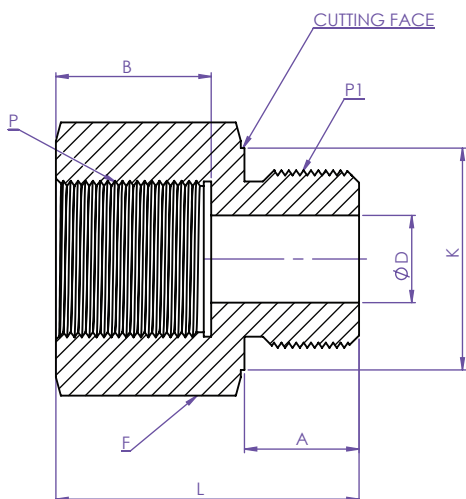


Form B stud end

PB	Part No	F	K	L	A	B	Male P1 G	Female-P G
PB 630	ACI / HF/RA/06-02GED	22	22	22.5	12	8	3/8	1/8
PB 630	ACI / HF/RA/08-02GED	27	26	24	14	8	1/2	1/8
PB 400	ACI / HF/RA/08-04GED	27	26	24	14	12	1/2	1/4
PB 400	ACI / HF/RA/12-04GED	32	32	26	16	12	3/4	1/4
	ACI / HF/RA/12-06GED	32	32	26	16	12	3/4	3/8
PB 400	ACI / HF/RA/16-04GED	41	39	29	18	12	1	1/4
	ACI / HF/RA/16-06GED	41	39	29	18	12	1	3/8
	ACI / HF/RA/16-08GED	41	39	29	18	14	1	1/2
PB 250	ACI / HF/RA/20-08GED	50	49	32	20	14	1 1/4	1/2
	ACI / HF/RA/20-12GED	50	49	32	20	16	1 1/4	3/4
PB 250	ACI / HF/RA/24-08GED	55	55	36	22	14	1 1/2	1/2
	ACI / HF/RA/24-12GED	55	55	36	22	16	1 1/2	3/4
	ACI / HF/RA/24-16GED	55	55	36	22	18	1 1/2	1

GAUGE ADAPTER BSP Parallel with ED-ring

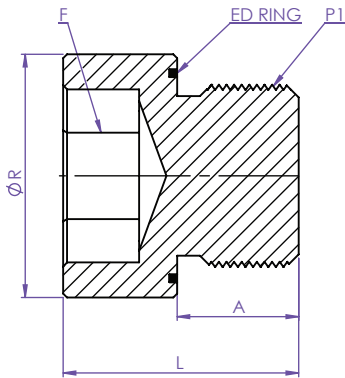
Design :ACI/RA/GED



PB	Part No	ØD	F	K	L	A	B	Male P1 G	Female-P G
PB 630	ACI / HF/GA/02-04GED	4	19	14	31	8	17	1/8	1/4
	ACI / HF/GA/02-06GED	4	24	14	32	8	17	1/8	3/8
PB 630	ACI / HF/GA/04-06GED	5	19	18	28	12	12	1/4	1/8
	ACI / HF/GA/04-08GED	5	24	18	36	12	17	1/4	3/8
	ACI / HF/GA/04-08GED	5	30	18	40	12	20	1/4	1/2
PB 450	ACI / HF/GA/04-12GED	5	36	18	43	12	22	1/4	3/4
PB 630	ACI / HF/GA/06-04GED	8	22	22	36	12	17	3/8	1/4
	ACI / HF/GA/06-08GED	8	30	22	41	12	20	3/8	1/2
PB 400	ACI / HF/GA/06-12GED	8	36	22	44	12	22	3/8	3/4
PB 400	ACI / HF/GA/08-06GED	12	27	26	36	14	17	1/2	3/8
	ACI / HF/GA/08-12GED	12	36	26	46	14	22	1/2	3/4
	ACI / HF/GA/08-16GED	12	41	26	49	14	24.5	1/2	1
PB 250	ACI / HF/GA/08-20GED	10	55	26	53	14	26.5	1/2	1 1/4
PB 400	ACI / HF/GA/12-08GED	16	32	32	41	16	20	3/4	1/2
	ACI / HF/GA/12-16GED	16	41	32	51	16	24.5	3/4	1
	ACI / HF/GA/12-16GED	16	55	32	55	16	26.5	3/4	1 1/4
PB 250	ACI / HF/GA/12-18GED	16	60	32	57	16	28.5	3/4	1 1/2
PB 400	ACI / HF/GA/16-12GED	20	41	39	47	18	22	1	3/4
PB 2,50	ACI / HF/GA/16-20GED	20	55	39	57	18	26.5	1	1 1/4
	ACI / HF/GA/16-24GED	20	60	39	59	18	28.5	1	1 1/2
PB 250	ACI / HF/GA/20-16GED	25	50	49	52	20	24.5	1 1/4	1
	ACI / HF/GA/20-24GED	25	60	49	60	20	28.5	1 1/4	1 1/2
PB 250	ACI / HF/GA/24-20GED	32	55	55	58	22	26.5	1 1/2	1 1/4
PB 250	ACI / HF/GA/32-24GED	40	70	68	62	24	28.5	2	1 1/2

BLANKING PLUGS with ED-ring for Port

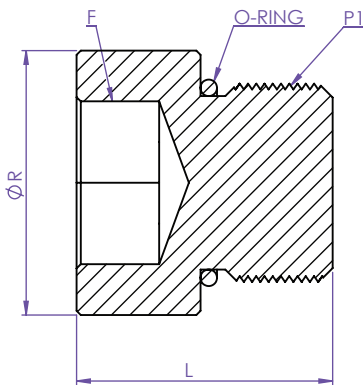
Design : ACI/BP/MED



PB	Part No,(M)	Part No,(G)	P1 M	P1 G	ØR	F	L	A
PB 400	ACI / HF/BP/10MED	ACI / HF/BP/02GED	10 x1	1/8	14	5	12	8
	ACI / HF/BP/12MED		12 x1.5	-	17	6	17	12
	ACI / HF/BP/14MED	ACI / HF/BP/04GED	14 x1.5	1/4	19	6	17	12
	ACI / HF/BP/16MED	ACI / HF/BP/06GED	16 x1.5	3/8	22	8	17	12
	ACI / HF/BP/18MED		18 x1.5	-	23.9	8	17	12
	ACI / HF/BP/20MED	ACI / HF/BP/08GED	20 x1.5	-	25.9	10	19	14
	ACI / HF/BP/22MED		22 x1.5	1/2	27	10	19	14
	ACI / HF/BP/26MED		26 x1.5	-	31.9	12	21	16
	ACI / HF/BP/27MED	ACI / HF/BP/12GED	27 x2	3/4	32	12	21	16
	ACI / HF/BP/33MED	ACI / HF/BP/16GED	33 x2	1	39.9	17	22.5	16
PB 250	ACI / HF/BP/42MED	ACI / HF/BP/20GED	42 x2	1 1/4	49.9	22	22.5	16
	ACI / HF/BP/48MED	ACI / HF/BP/24GED	48 x2	1 1/2	55	24	22.5	16

BLANKING PLUGS with O-ring for Port acc. to ISO6149 / DIN852

Design : ACI/BP/MED

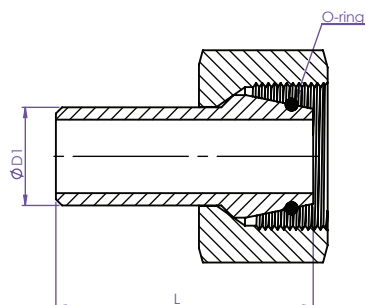


PB	Part No	P1 M (Metric)	ØR	F	L	A
PB 630	ACI / HF/BP/10MO	M10 x 1	13	5	14	10
	ACI / HF/BP/12MO	M12 x 1.5	17	6	16.5	11.5
	ACI / HF/BP/14MO	M14 x 1.5	19	6	16.5	11.5
	ACI / HF/BP/16MO	M16 x 1.5	21	6	18	13
	ACI / HF/BP/18MO	M18 x 1.5	23	8	19.5	14.5
PB 400	ACI / HF/BP/22MO	M22 x 1.5	27	10	20.5	15.5
	ACI / HF/BP/26MO	M26 x 1.5	31	12	21	16
	ACI / HF/BP/27MO	M27 x 2	32	12	24	19
	ACI / HF/BP/33MO	M33 x 2	38	17	25.5	19
	ACI / HF/BP/42MO	M42 x 2	48	22	26	19.5

PLUGGING PLUG with O-ring

Design : ACI/PP

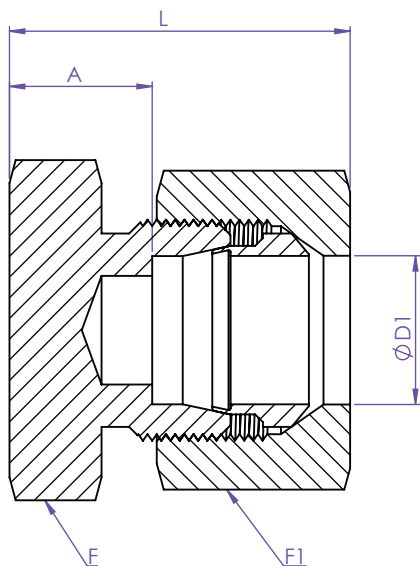
Series	Part No.	Tube ØD1	L
L	ACI / HF/PP/06L/S	6	18.5
Light	ACI / HF/PP/08L/S	8	18.5
PN315/PN630	ACI / HF/PP/10L/S	10	20
	ACI / HF/PP/12L/S	12	20.5
	ACI / HF/PP/15L/S	15	20.5
	ACI / HF/PP/18L/S	18	22.5
PN 160	ACI / HF/PP/22L/S	22	25
	ACI / HF/PP/28L/S	28	25.5
	ACI / HF/PP/32L/S	35	30
	ACI / HF/PP/42L/S	42	30
S - Heavy	ACI / HF/PP/14S	14	22.5
PN 630	ACI / HF/PP/14S		
PN 400	ACI / HF/PP/06S	16	23.5
	ACI / HF/PP/20S	20	28.5
	ACI / HF/PP/25S	25	29
	ACI / HF/PP/34S	30	30.5
PN 315	ACI / HF/PP/38S	38	33



CAP-CAPPING Tube End

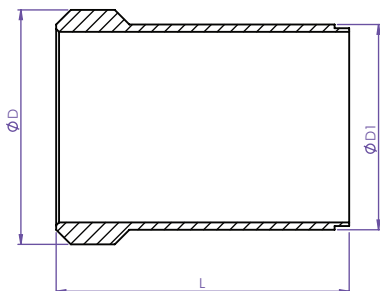
Design : ACI/CC

Series	Part No.	Tube ØD1	F1	F	L	A
L	ACI / HF/CC/06L	6	14	12	22	7
Light	ACI / HF/CC/08L	8	17	14	23	8
PN 31	ACI / HF/CC/10L	10	19	17	24	9
	ACI / HF/CC/12L	12	22	19	25	10
	ACI / HF/CC/15L	15	27	24	26	11
	ACI / HF/CC/18L	18	32	27	28	11.5
PN 160	ACI / HF/CC/22L	22	36	32	30	1-3 5
	ACI / HF/CC/28L	28	41	41	31	14.5
	ACI / HF/CC/35L	35	50	46	36	14.5
	ACI / HF/CC/42L	42	60	55	39	16
S	ACI / HF/CC/06S	6	17	14	26	11
Heavy	ACI / HF/CC/08S	8	19	17	28	13
PN 63	ACI / HF/CC/10S	10	22	19	29	12.5
	ACI / HF/CC/12S	12	24	22	31	14.5
	ACI / HF/CC/14S	14	27	24	34	16
PN 40	ACI / HF/CC/16S	16	30	27	34	15.5
	ACI / HF/CC/20S	20	36	32	39	17.5
	ACI / HF/CC/25S	25	46	41	44	20
	ACI / HF/CC/30S	30	50	46	47	20.5
PN 31	ACI / HF/CC/38S	38	60	55	54	23



TUBE INSERT

Design : ACI /TI

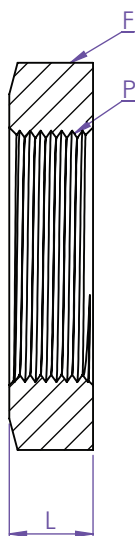


Part No.	Tube ØD	Tube ID	ØD	ØD1	L
ACI / HF/TI/6-1	6	4	2.6	3.8	15.5
ACI / HF/TI/6-0.75	6	4.5	3.1	4.3	12.5
ACI / HF/TI/6-5.05	6	5	3.6	4.8	15.5
ACI / HF/TI/6-1	8	6	4.6	5.8	15.5
ACI / HF/TI/10-1.5	10	7	5.6	6.8	17
ACI / HF/TI/10-1	10	8	6.6	7.8	16.5
ACI / HF/TI/12-1.05	12	9	7.6	8.8	16.5
ACI / HF/TI/12-1	12	10	8.6	9.8	16.5
ACI / HF/TI/15-1.05	15	12	10.2	11.8	17
ACI / HF/TI/15-1	15	13	11.2	12.8	17
ACI / HF/TI/16-1	16	14	12.2	13.8	17
ACI / HF/TI/10-1.05	18	15	13.2	14.8	17.5
ACI / HF/TI/18-1	18	16	14.2	15.8	17.5
ACI / HF/TI/20-1	20	17	15.2	16.8	20
ACI / HF/TI/20-1	20	18	16.2	17.8	22
ACI / HF/TI/22-1.05	22	19	17.2	18.8	18
ACI / HF/TI/22-1	22	20	18.2	19.8	18
ACI / HF/TI/25-2	25	21	19.2	20.8	21.5
ACI / HF/TI/25-1.05	25	22	20.2	21.8	23.5
ACI / HF/TI/28-2	28	24	22.2	23.8	18
ACI / HF/TI/28-1.05	28	25	23.2	24.8	18
ACI / HF/TI/30-2	30	26	24.2	25.8	23.5
ACI / HF/TI/35-2	35	31	28.8	30.8	22.5
ACI / HF/TI/38-3	38	32	29.8	31.8	26.5
ACI / HF/TI/38-2.5	38	33	30.8	32.8	26.5
ACI / HF/TI/42-2	42	38	35.8	37.8	23.5

For thin-walled steel and stainless steel and other soft-thin-walled metal tubes.

BULKHEAD LOCK NUT

Design : ACI/BN



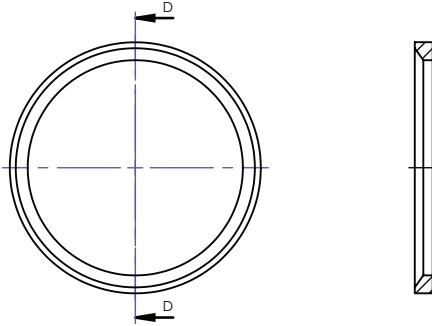
Series	part No	Tube ØD		F	L	P
		Light	Heavy			
L	ACI / HF/BN/06L	6	-	17	6	M12 x 1.5
L/S	ACI / HF/BN/08L	8	6	19		M14 x 1.5
L/S	ACI / HF/BN/10L	10	8	22		M16 x 1.5
L/S	ACI / HF/BN/12L	12	10	24		M18 x 1.5
S	ACI / HF/BN/12S		12	27		M20 x 1.5
L/S	ACI / HF/BN/15L	15	14	30	7	M22 x 1.5
S	ACI / HF/BN/16S		16	32		M24 x 1.5
L	ACI / HF/BN/18L	18	-	36	8	M26 x 1.5
L/S	ACI / HF/BN/22L	22	20	41		M30 x 2
L/S	ACI / HF/BN/28L	28	25	46	9	M36 x 2
S	ACI / HF/BN/30S		30	50		M42 x 2
L	ACI / HF/BN/35L	35		55		M45 x 2
L/S	ACI / HF/BN/42L	42	38	65	10	M52 x 2

*According to DIN 80705 for bulkhead screw-joint.

SEALING RING

SEALING RING (GC, GE, GA)

Design : ACI/SR

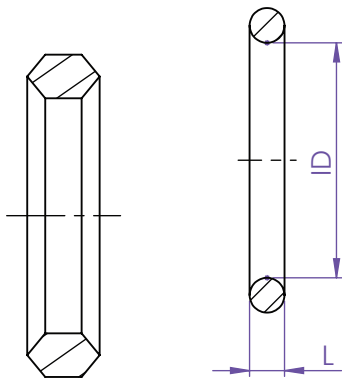


Part No.	External Thread	Part No.	External Thread
ACI / HF/SR-SL/02G	G 1/8	ACI / HF/SR-G/02G	G 1/8
ACI / HF/SR-SL/04G	G 1/4	ACI / HF/SR-G/04G	G 1/4
ACI / HF/SR-SL/06G	G 3/8	ACI / HF/SR-G/06G	G 3/8
ACI / HF/SR-SL/08G	G 1/2	ACI / HF/SR-G/08G	G 1/2
ACI / HF/SR-SL/08G-4x5	G 1/2	ACI / HF/SR-G/12G	G 3/4
ACI / HF/SR-SL/12G	G 3/4	ACI / HF/SR-G/16G	G 1
ACI / HF/SR-SL/16G	G 1	ACI / HF/SR-G/20G - 42M	G 1 1/4 / M42 x 2
ACI / HF/SR-SL/20G-42M	G 1 1/4 / M42 x 2	ACI / HF/SR-G/24G - 48M	G 1 1/2 / M48 x 2
ACI / HF/SR-SL/24G-48M	G 1 1/2 / M48 x 2	ACI / HF/SR-G/10M	M 10 x 1
ACI / HF/SR-SL/42M	M 10 x 1	ACI / HF/SR-G/12M	M 12 x 1.5
ACI / HF/SR-SL/12M	M 12 x 1.5	ACI / HF/SR-G/14M	M 14 x 1.5
ACI / HF/SR-SL/14M	M 14 x 1.5	ACI / HF/SR-G/16M	M 16 x 1.5
ACI / HF/SR-SL/16M	M 16 x 1.5	ACI / HF/SR-G/18M	M 18 x 1.5
ACI / HF/SR-SL/18M	M 18 x 1.5	ACI / HF/SR-G/20M	M 20 x 1.5
ACI / HF/SR-SL/20M	M 20 x 1.5	ACI / HF/SR-G/22G	M 22 x 1.5
ACI / HF/SR-SL/22M	M 22 x 1.5	ACI / HF/SR-G/26M	M 26 x 1.5
ACI / HF/SR-SL/22x 4.5M	M 22 x 1.5	ACI / HF/SR-G/27M	M 27 x 2
ACI / HF/SR-SL/26M	M 26 x 1.5	ACI / HF/SR-G/33M	M 33 x 2
ACI / HF/SR-SL/26x 3.5M	M 26 x 1.5		
ACI / HF/SR-SL/27M	M 27 x 2		
ACI / HF/SR-SL/33M	M 33 x 2		

ED-RING

O-RING

Design : ACI/ED

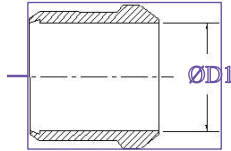
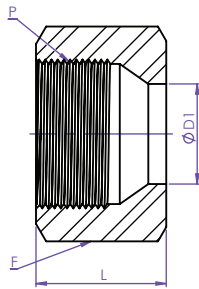
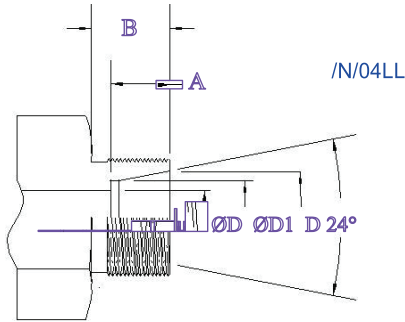


Part No.	For Male Thread	Part No.	ID	L	
	Metric				
	G				
ACI / HF/ED/8M	M 8 x 1	-	ACI / HF/OR/06	4	1.5
ACI / HF/ED/2G	M 10 x 1	1/8	ACI / HF/OR/08	6	1.5
ACI / HF/ED/12M	M 12 x 1.5		ACI / HF/OR/10	7.5	1.5
ACI / HF/ED/04G	M 14 x 1.5	1/4	ACI / HF/OR/12	9	1.5
ACI / HF/ED/16M	M 16 x 1.5	-	ACI / HF/OR/14	10	2
ACI / HF/ED/06G	-	3/8	ACI / HF/OR/16	12	2
ACI / HF/ED/18M	M 18 x 1.5	-	ACI / HF/OR/18	15	2
ACI / HF/ED/20M	M 20 x 1.5	-	ACI / HF/OR/20	16.3	2.4
ACI / HF/ED/8M	-	1/2	ACI / HF/OR/22	20	2
ACI / HF/B-SM22M	M 22 x 1.5	-	ACI / HF/OR/25	20.3	2.4
ACI / HF/ED/12G	M 26 x 1.5	3/4	ACI / HF/OR/30	25.3	2.4
ACI / HF/ED/12G	M 27 x 2		ACI / HF/OR/36	26	2
ACI / HF/ED/S16G	M 33 x 2	1	ACI / HF/OR/38	32	2.5
ACI / HF/ED/20G	M 42 x 2	1 1/4	ACI / HF/OR/38	33.3	2.4
ACI / HF/ED/24G	M 48 x 2	1 1/2	ACI / HF/OR/40	38	2.5

HYDRAULIC FITTINGS

NUT & SINGLE FERRULE

Design :ACI/F



Part No. Nut	Part No. Ferrule	Tube ØD1	DN Size	ØD1	D	ØD	F	L	P	A	B
ACI / HF/N/04LL	ACI / HF/F/04LL	4	3	4	5	3	10	11.5	M08 x 1.0	4	8
ACI / HF/N/06LL	ACI / HF/F/06LL	6	4	6	7.5	4.5	12	12	M12 x 1.0	5.5	8
ACI / HF/N/08LL	ACI / HF/F/08LL	8	6	8	9.5	6	14	12.5	M12 x 1.0	5.5	9
ACI / HF/N/10LL	ACI / HF/F/10LL	10	8	10	11.5	8	17	12.5	M14 x 1.0	6	9
ACI / HF/N/12LL	ACI / HF/F/12L	12	10	12	13.5	1.0	19	1.3	M16 x 1.0	6	9
ACI / HF/N/14LL	ACI / HF/F/06L	6	4	6	8.1	4	14	15	M12 x 1.5	7	10
ACI / HF/N/08LL	ACI / HF/F/08L	8	6	8	10.1	6	17	1.5	M14 x 1.5	7	10
ACI / HF/N/10L	ACI / HF/F/10L	10	8	10	12.3	8	19	1.6	M16 x 1.5	7	11
ACI / HF/N/12L	ACI / HF/F/12L	12	10	12	14.3	10	22	1.6	M18 x 1.5	7	11
ACI / HF/N/15L	ACI / HF/F/15L	15	12	15	17.3	12	27	17.5	M22 x 1.5	7	12
ACI / HF/N/18LL	ACI / HF/F/18L	18	16	18	20.3	15	32	1.8	M26 x 1.5	7.5	12
ACI / HF/N/22L	ACI / HF/F/22L	22	20	22	24.3	19	36	20.5	M30 x 2	7.5	14
ACI / HF/N/30L	ACI / HF/F/24L	28	25	28	30.3	24	41	21	M36 x 2	7.5	14
ACI / HF/N/35LL	ACI / HF/F/35L	35	32	35	38	30	50	24	M45 x 2	10.5	16
ACI / HF/N/40LL	ACI / HF/F/42L	42	40	42	45	36	60	24	M52 x 2	11	16
ACI / HF/N/42S	ACI / HF/F/06L	6	3	6	8,1	4	17	16.5	M14 x 1.5	7	12
ACI / HF/N/13S	ACI / HF/F/08L	8	4	8	10.1	5	19	16.5	M16 x 1.5	7	12
ACI / HF/N/15S	ACI / HF/F/10L	10	6	10	12.3	7	22	17.5	M18 x 1.5	7.5	12
ACI / HF/N/12S	ACI / HF/F/12S	12	8	12	14.3	8	24	1.8	M20 x 1.5	7.5	12
ACI / HF/N/14S	ACI / HF/F/14S	14	10	14	16.3	10	28	20.5	M22 x 1.5	8	14
ACI / HF/N/16S	ACI / HF/F/16S	16	12	16	18.3	12	30	21	M24 x 1.5	8.5	14
ACI / HF/N/20S	ACI / HF/F/20S	20	16	20	22.9	16	36	24	M30 x 2	10.5	16
ACI / HF/N/25S	ACI / HF/F/25S	25	20	25	27.9	20	46	27	M36 x 2	1.2	18
ACI / HF/N/30S	ACI / HF/F/30S	30	25	30	33	25	50	29.5	M42 x 2	13.5	20
ACI / HF/N/38S	ACI / HF/F/38S	38	32	38	41	32	60	32.5	M52 x 2	16	22



ARCELLOR CONTROLS (INDIA)

REDEFINING INSTRUMENTATION

ARC-Lok

**HYDRAULIC
FITTINGS**



ARCELLOR CONTROLS (INDIA)

REDEFINING INSTRUMENTATION

ARC-Lok



PHONE : 91-079-2273 3345,
: 22733346



E-MAIL : info@arcellorcontrols.com
: arcellorcontrols@gmail.com



85/B1,icol estate
near kewal kanta char rasta,
rakhial,ahmedabad-380023.



www.arcellorcontrols.com
www.tubesfitting.com