



Super MECHANICAL SEAL PVT. LTD.
An ISO 9001-2015 Certified Company

SUPER HOUSE, Plot No. A - 531, T. T. C. Industrial Area,
M.I.D.C. Mahape, Navi Mumbai - 400 710, INDIA.

Tel: 7045649580 Tel: 7045649581 Tel (Other): 9821020775

Email: info@supermechanicalseal.com / tpt.super@gmail.com Website: www.supergroupindia.com / www.supermechanicalseal.com

Think Safety ★ Think Super

MARKETING OFFICES:

Mumbai:
Mr. Raghvendra Tiwari - 09819733994
Area Manager
Email: info@supermechanicalseal.com
Mr. Vyas Tiwari - 09167549744
Marketing Engineer
Email: mktg.vyas@supermechanicalseal.com

Indore:
Flat No. 102, "Ashiyana",
180, Shrinagar Main,
Indore - 452 001, M.P.
Email: inm.super@gmail.com
Mr. I. N. Mishra - 09826013332
Regional Manager

Kanpur:
Plot No. 2761
Awasthi Vikas 3, Kalyanpur
Kanpur - 208017 (U.P)
Mr. S. P. Yadav - 09793530850
Marketing Engineer

Nagpur:
Plot No. 148, Chhatrapati Nagar,
Wardha Road, Nagpur,
Maharashtra - 440015
Mr. Pradeep Upadhyay - 09922403875
Marketing Engineer

Saudi Arabia:
HUSAIN H. ATWAH WORKSHOP
P.O. Box 1316, Al-Jubail 31951,
Kingdom of Saudi Arabia
E-mail: amit@hatcoworkshop.com
E-mail: hatcoestablishment@gmail.com
Mr. Amit Tiwari
(Workshop Incharge) Cell no.+966-541319644
Mr. Kiran Suvarna
(Marketing Engineer) Cell no.+966-542674135

Gandhidham:
Plot No. 49, Bholenath Society,
Survey No. 525, Nr. Kandla Airport,
Vilge - Varsamedi,
Taluka - Anjar (Kutch) - 370110.
Mr. Mukesh Upadhyay - 09825304782
Marketing Engineer

Vapi:
Sunshine City, Block A-8,
Plot No. 202, Desai Wada,
Chhiri - 396195 Vapi, Gujarat.
Mr. Pramod Kumar Patel - 09825325220
Marketing Engineer

Kerala:
TRA-103, Pullolical House
Thaikkattussery. P.o.
Ollur, Thrissur-dist. Pin - 680 306
Mr. Ajeesh Joy - 9539925874
Marketing Executive

Ankleshwar:
F-15, Raviraj Appartment,
Behind Ravi Complex,
Near Valia Chowkadi, G.I.D.C.,
Ankleshwar - 393 002 (Gujarat)
Mr. S. N. Mishra - 09825304622
Regional Manager
Email: snmishra@supermechanicalseal.com

Ahmedabad:
23, Santdev Tenament,
Jamfalwadi, C.T.M.
Ahmedabad - 382 449 (Gujarat)
Mr. K. P. Singh - 09825304621
Area Manager

Vadodara:
J-405, 4th Floor, Viram-2, Phase-2
B/h Billabong School,
Nr Narayan Farm
Vadodara - 390011 (Gujarat)
Mr. Anil Kumar Pandey - 0997899213
Marketing Executive



An ISO 9001-2015 Certified Company



Think Safety ★ Think Super





Mr. T. P. Tiwari
Chairman

Super Mechanical Seal Pvt. Ltd. an **ISO 9001:2015** certified Company has always strived to present the latest **“Seal Technology”** at Unbelievable Price and great **Value Added Services** to the people we treasure the most like you.

We take this opportunity to introduce ourselves as a leading organization having more than three decades of experience in the field of designing and manufacturing of International Quality Mechanical Seals with Proven Performance Capability meeting the requirements of International Market.

SUPER's high quality oriented "Mechanical Seals" are suitably designed to fit into every Rotating Equipment like Pumps, Agitators, Mixers, Blowers Compressors etc. Catering the needs of virtually all segments of Industries such as – Chemicals, Fertilizers, Petrochemicals, Refineries, Power Stations, Solvent Extraction Plants, Textile & Sugar Industries, handling all kinds of fluids like Acids, Chemicals, Hazardous Corrosive Slurries etc. operating under different temperature and pressure conditions.

We have highly qualified and technically trained Engineers in Design & Development as well as Quality

Control Department engaged in continuous development to ensure the best quality and to keep the system updated to meet the changing trends of the Global Market.

Our Company has a well established Ultra-Modern Manufacturing Plant at Navi Mumbai, India having 12000 Sq. Ft. operational area with enough spare capacity for enormous future expansion and to provide a continuous innovative product with Total Customer Satisfaction.

We are continuously exporting huge quantity of Mechanical Seals in Gulf countries and hence to meet their service requirement and cope-up the market for new materials, we have set up our full fledged Mechanical Seal manufacturing company at Al-Jubail, Saudi Arabia to provide services to our clients all they need and a little more.

We have created new market by replacing our competitors of International Brands in many companies with our most efficiently designed seals which provide total solution to our esteemed clients with matchless consistency and superior performance. For your any leakage problem contact us at our service centre as convenient to you.



Mr. & Mrs. T. P. Tiwari receiving Trophy from Honourable Governor Dr. A. R. Kidwai



Design Department



CNC Shop



Lapping Department



Agitator Seal Testing Machine



An ISO 9001-2015 Certified Company

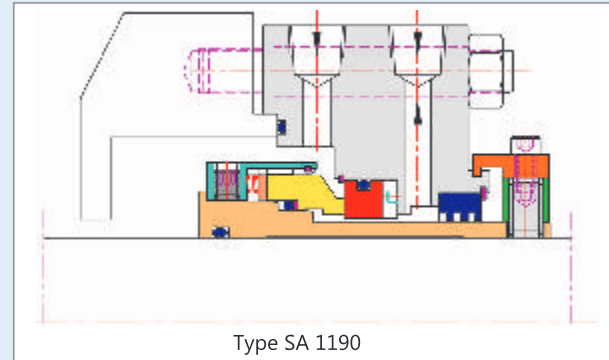
Think Safety ☆ Think Super

API STANDARD 682 FOURTH EDITION SUPER MECHANICAL SEAL RANGE

SA 1190

Cartridge single Mechanical Seals Arrangement -1

Size : 1" to 4"
 Pressure : Vacuum to 40Kg/cm²
 Temp : -40° to 200°C
 Configuration : 1CW-FX
 1 CW-FX, Contacting Single wet seal With a Fixed throttle bushing.

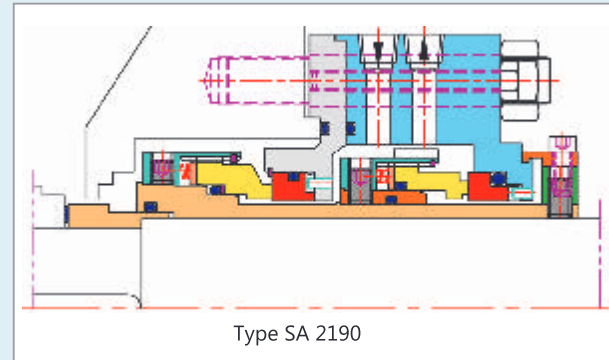


Type SA 1190

SA 2190

Cartridge Dual Mechanical Seals Arrangement -2

Size : 1" to 4"
 Pressure : Vacuum to 40Kg/cm²
 Temp : -40° to 200°C
 Configuration : 2 CW-CW
 2 CW-CW, Contacting wet seals in a face to back Configuration tandem.

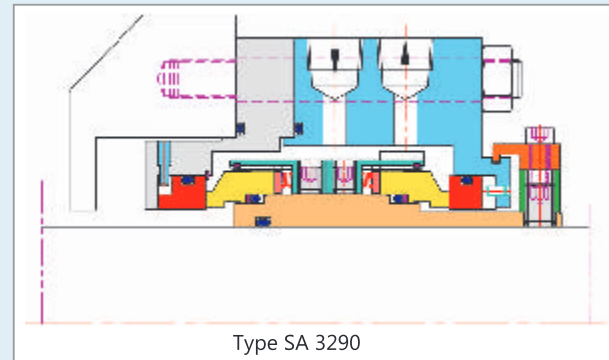


Type SA 2190

SA 3290

Cartridge Dual Mechanical Seals Arrangement -3

Size : 1" to 4"
 Pressure : Vacuum to 40Kg/cm²
 Temp : -40° to 200°C
 Configuration : 3 CW-BB
 3 CW-BB, Contacting wet seals in a back to back Configuration.

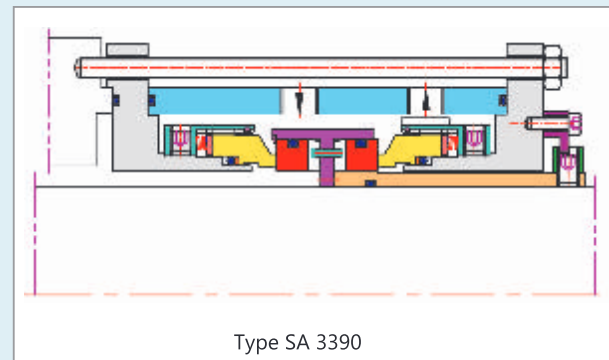


Type SA 3290

SA 3390

Cartridge Dual Mechanical Seals Arrangement -3

Size : 1" to 4"
 Pressure : Vacuum to 40Kg/cm²
 Temp : -40° to 200°C
 Configuration : 3 CW-FF
 3 CW-FF, Contacting wet seals in a face to face Configuration.



Type SA 3390

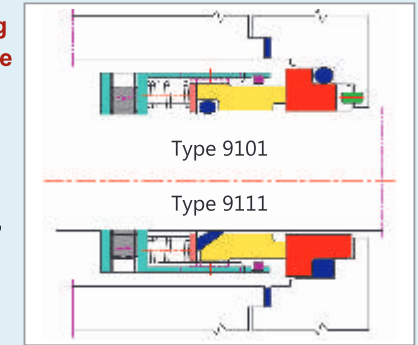
API Standard 682

The American Petroleum Institute (API) is the primary trade association representing the oil and natural gas industry in the United States. The latest API specifications set strict standards for the design and supply of mechanical seals. This rotating equipment standard is adopted by most refineries, petrochemical and offshore platforms around the world.



9101 Unbalanced Multi Springs Seal In Retainer with 'O'ring 9111 Unbalanced Multi Springs Seal In Retainer With Wedge

Independent Direction of Rotation (Inside Mounted)
 Size : 0.5" to 4"
 Pressure : up to 8 Kg/cm²
 Temp : -40° to 200°C
 Application : Petrochemicals, General Chemicals, Oil Refineries, Food and Beverage
 M.O.C. of Secondary Seal According to Fluid & Temp.
 Various Hard & Soft Faces As Per Liquid.



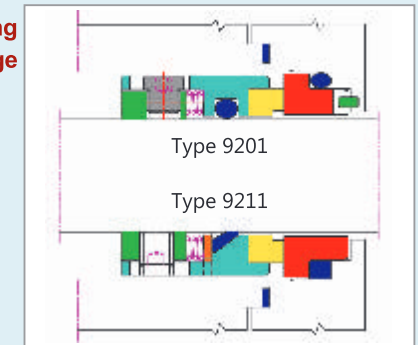
Type 9101

Type 9111



9201 Unbalanced Multi Springs Seal Lug Drive With 'O'ring 9211 Unbalanced Multi Springs Seal Lug Drive With Wedge

Independent Direction of Rotation (Inside Mounted)
 Size : 0.5" to 4"
 Pressure : up to 8 Kg/cm²
 Temp : -40° to 150°C
 Application : Petrochemicals, General Chemicals, Oil Refineries
 M.O.C. of Secondary Seal According to Fluid & Temp.
 Various Hard & Soft Faces As Per Liquid.



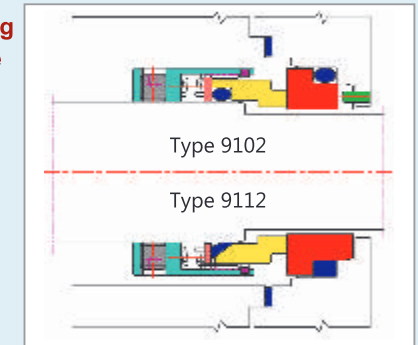
Type 9201

Type 9211



9102 Balanced Multi Springs Seal In Retainer With 'O'ring 9112 Balanced Multi Springs Seal In Retainer With Wedge

Independent Direction of Rotation (Inside Mounted)
 Size : 1" to 4"
 Pressure : up to 40Kg/cm²
 Temp : -40° to 200°C
 Application : Petrochemicals, General Chemicals, Oil Refineries, Food and Beverage
 M.O.C. of Secondary Seal According to Fluid & Temp.
 Various Hard & Soft Faces As Per Liquid.



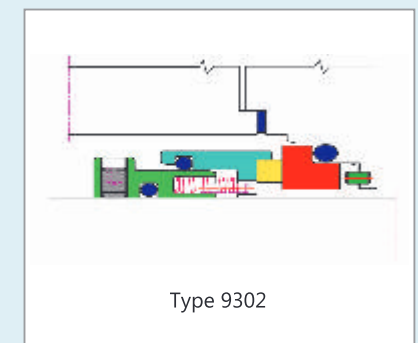
Type 9102

Type 9112



Balanced Multi Springs Slurry Seal

Independent Direction of Rotation (Inside Mounted)
 Size : 1" to 4"
 Pressure : up to 25Kg/cm²
 Temp : -40° to 150°C
 Application : Petrochemicals, Mining Industries, Chemicals, Oil Refineries, Food and Beverage
 M.O.C. of Secondary Seal According to Fluid & Temp.
 Various Hard & Soft Faces As Per Liquid.

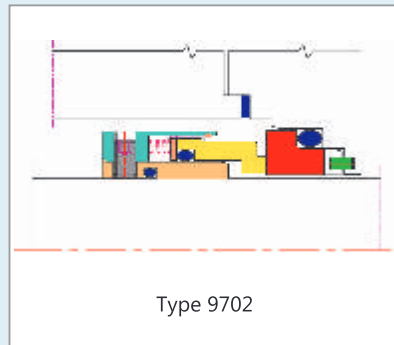


Type 9302



Balanced Multi Springs Seal With Inbuilt Sleeve 'O'ring Independent Direction of Rotation (Inside Mounted)

Size : 0.5" to 4"
 Pressure : up to 40Kg/cm2
 Temp : -40° to 200°C
 Application : Petrochemicals, General Chemicals, Oil Refineries, Food and Beverage
 M.O.C. of Secondary Seal According to Fluid & Temp.
 Various Hard & Soft Faces As Per Liquid.
 No Need to Maintain a Step on Sleeve for balancing.

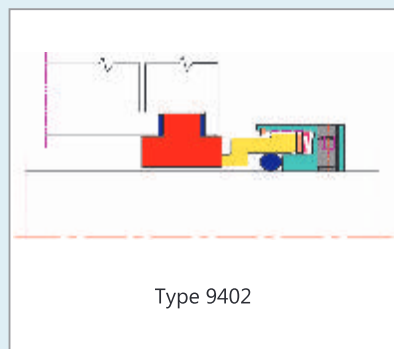


Type 9702



Reverse Balanced Multi Springs Seal Independent Direction of Rotation (Outside Mounted)

Size : 0.5" to 4"
 Pressure : vacuum to 25Kg/cm2
 Temp : -40° to 200°C
 Application : Corrosive Chemicals, Hydrocarbon, Abrasive Services
 M.O.C. of Secondary Seal According to Fluid & Temp.
 Various Hard & Soft Faces As Per Liquid.

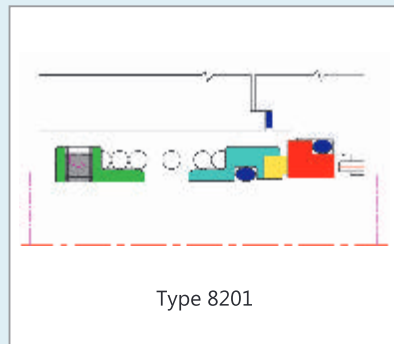


Type 9402



Unbalanced Open Single Spring Seal With 'O'Ring Single Direction of Rotation (Inside Mounted)

Size : 0.5" to 4"
 Pressure : up to 8Kg/cm2
 Temp : -40° to 150°C
 Application : Petrochemicals, General Chemicals, Oil Refineries, Suspended Particles, Slurry
 Secondary Seal According to Fluid & Temp.
 Various Hard & Soft Faces As Per Liquid.

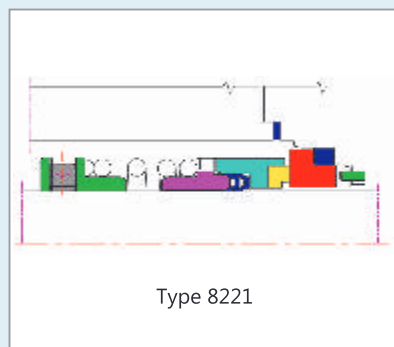


Type 8201



Unbalanced Open Single Spring Seal With Split Face Single Direction of Rotation (Inside Mounted)

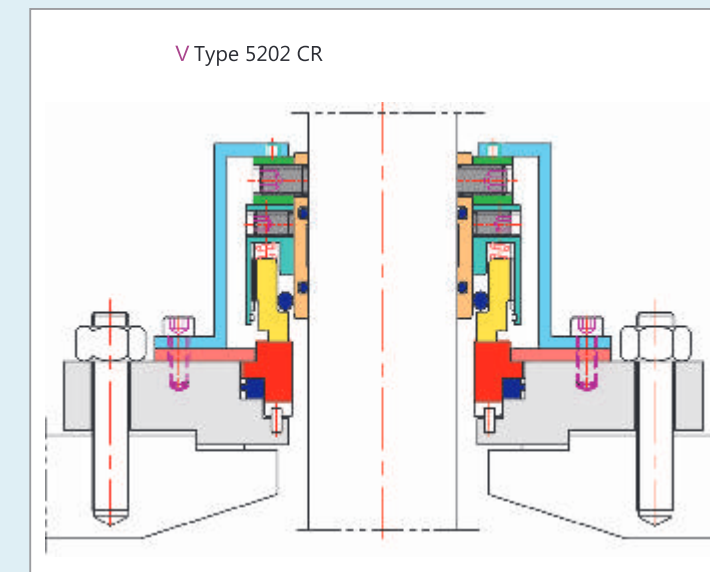
Size : 0.5" to 4"
 Pressure : up to 8Kg/cm2
 Temp : -40° to 150°C
 Application : Petrochemicals, General Chemicals, Suspended Particles, Slurry, Mild Corrosive & Slurry Services
 M.O.C. of Secondary Seal According to Fluid & Temp.
 Various Hard & Soft Faces As Per Liquid.



Type 8221

5202 CR Dry Running Seal Super Style

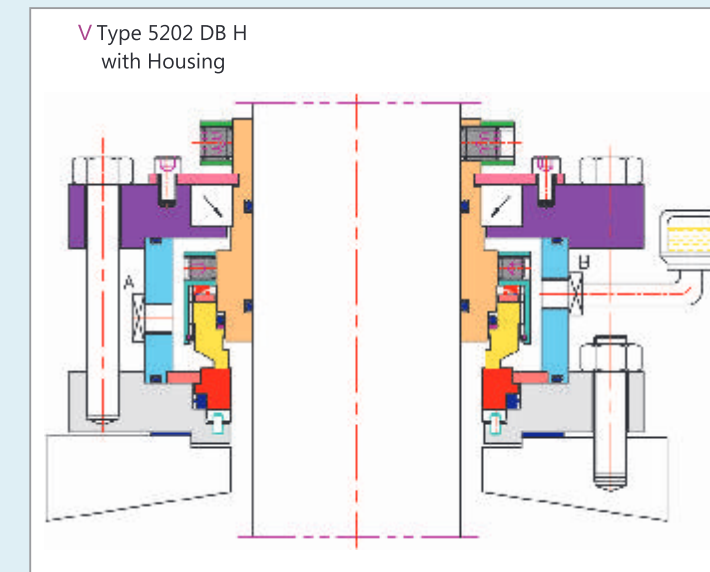
For Top Entry Agitator, Vessels and mixers
 Single Seal, Independent of Direction of Rotation
 Size : 1" to 8"
 Pressure : up to 8Kg/cm2
 Temp : Amb to 120°C
 Speed : 400 RPM.
 Application : Food Products and its Vapors
 Petrochemicals Products & its Vapors
 Light Hydrocarbons and its Vapors
 MOC. SS316, SS304, ALLOY-20, Monel, Hastelloy-C, Titanium.



V Type 5202 CR

5202 DB H Wet Running Seal Super Style

For Top Entry Agitator, Vessels and mixers
 Single Seal, Independent of Direction of Rotation
 Size : 1" to 8"
 Pressure : up to 8Kg/cm2
 Temp : Amb to 120°C
 Speed : 400 RPM.
 Application : Food Products and its Vapors
 Petrochemicals Products & its Vapors
 Light Hydrocarbons and its Vapors
 MOC. SS316, SS304, ALLOY-20, Monel, Hastelloy-C, Titanium.



V Type 5202 DB H with Housing

This is a single multi spring externally mounted, reverse balanced seal specifically designed for agitator and vessels.

The 5202 seal design can be applied to all top entry agitator shafts, where the seal chamber is subjected only to gas or vapors. The dry running design eliminates the need for costly buffer fluid systems and prevents contamination of the product. The out side seal design permits easy installation and inspection whether mounted directly on the shaft or mounted as a cartridge.

The design specifically is engineered to accommodate the run-out condition, up to 0.5mm. large clearance between rotation shaft / sleeve and mating ring permits higher deflection of the shaft.

5202 DB H Wet Running Seals are used with non pressurized barrier fluid preferably clean soft water because of its good heat transfer qualities fluids like oil, hydrocarbon, solvents etc. can also be used as buffer fluid by considering the corrosion resistance of wetted parts and compatibility with main media to be sealed.

5101/5101 Unbalanced Double Back to Back With 'O'Ring Agitator seal For Top Entry

5111/5111 Unbalanced Double Back to Back With Wedge Agitator seal For Top Entry

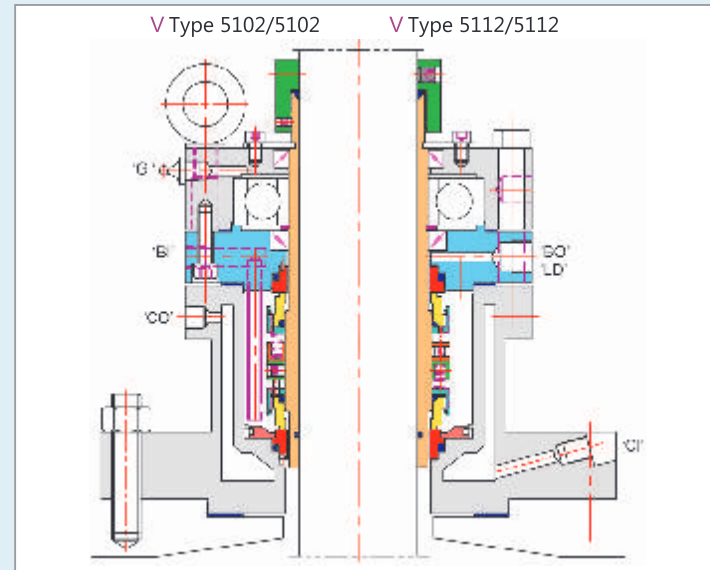
5102/5102 Balanced Double Back to Back With 'O'Ring Agitator seal For Top Entry

5112/5112 Balanced Back to Back With Wedge Agitator seal For Top Entry

Bottom Entry Seals Are Also Available

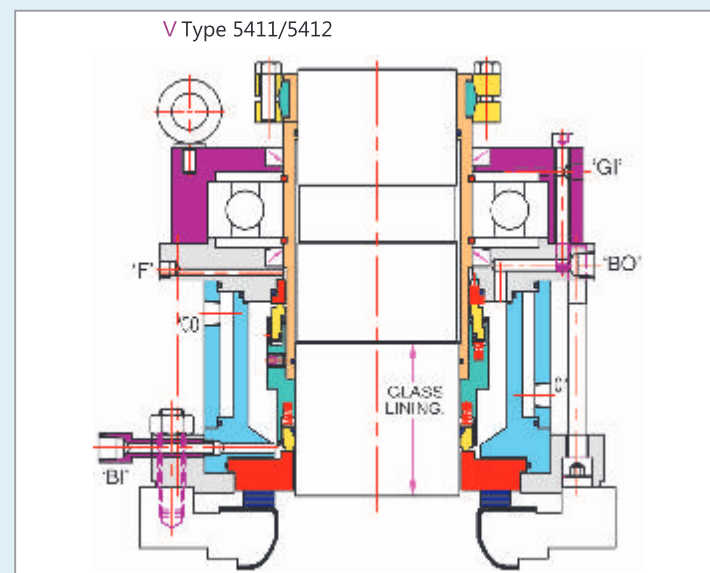
- Size : 1" to 8"
- Pressure : up to 8Kg/cm2 (Unbalanced)
- Pressure : up to 35Kg/cm2 (Balanced)
- Temp : -40° to 200°C
- Application : Chemicals and its Vapors
- Petrochemicals and its Vapors
- Light Hydrocarbons and its Vapors

MOC. SS316, SS304, ALLOY-20, Monel



These Cartridge Seal units are designed for Mixer, Agitators and Glass Lined Reactors. The heavy duty construction of the 50 series provides long seal life and excellent reparability. The design incorporates bearing located very close to seal. The design specifically is engineered to accommodate the run-out conditions, up to 0.5mm. large clearance between rotating shaft / sleeve and mating ring permits higher deflection of the shaft.

For higher temperature application, the seal assembly has got jacketed chamber to circulate chilled water to bring down the temperature. Also normally chilled / plain water is passed through the cooling coil of Thermosyphon to bring down the temperature of compatible barrier fluid circulated in seal housing to maintain the continuous cooling. Bottom portion of seal housing is also designed with heat trapping jacketed cooling to reduce the temperature around the bottom seal face.



5411/5412 Unbalanced / Balanced Double Seal Super Style

For Top Entry Glass Lined Reactor

- Size : 1" to 8"
 - Pressure : Vacuum to 8Kg/cm2
 - Temp : Amb to 120°C
 - Application : All Acids Except HF & Alkalis up to 100°C
- MOC. SS316, SS304, Carbon Steel Hastelloy - C



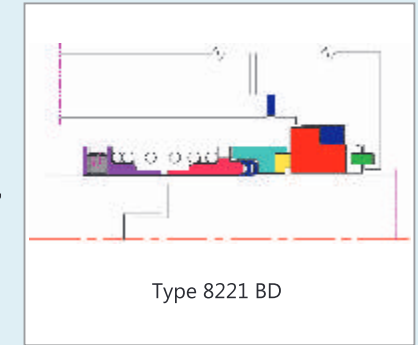
Unbalanced Open Single Spring Seal Bi-Directional Independent Direction of Rotation (Inside Mounted)

- Size : 0.5" to 4"
- Pressure : up to 8Kg/cm2
- Temp : -40° to 150°C
- Application : Petrochemicals, General Chemicals, Suspended Particles, Mild Corrosive & Slurry Services

M.O.C. of Secondary Seal According to Fluid & Temp. Various Hard & Soft Faces As Per Liquid.

***Also Available Balance Seal**

Type 8202, 8222



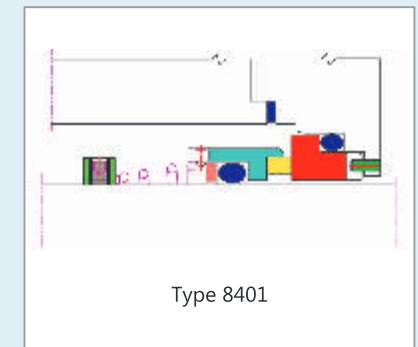
Type 8221 BD



Unbalanced Conical Spring Seal With 'O'Ring Single Direction of Rotation (Inside Mounted)

- Size : 0.5" to 4"
- Pressure : up to 8Kg/cm2
- Temp : -40° to 150°C
- Application : Petrochemicals, General Chemicals, Oil Refineries, Suspended Particles, Slurry

M.O.C. of Secondary Seal According to Fluid & Temp. Various Hard & Soft Faces as Per Liquid.



Type 8401

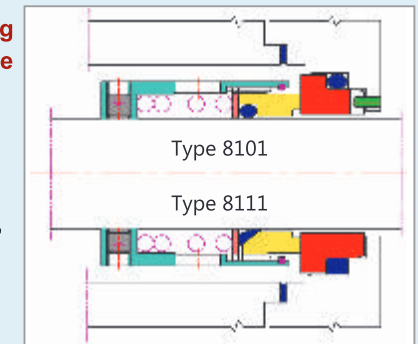


8101 Unbalanced Single Spring Seal In Retainer With 'O'ring 8111 Unbalanced Single Spring Seal In Retainer With Wedge

Independent Direction of Rotation (Inside Mounted)

- Size : 0.5" to 4"
- Pressure : up to 8Kg/cm2
- Temp : -40° to 200°C
- Application : Petrochemicals, General Chemicals, Oil Refineries, Suspended Particles, Mild Slurry Services

M.O.C. of Secondary Seal According to Fluid & Temp. Various Hard & Soft Faces As Per Liquid.



Type 8101

Type 8111

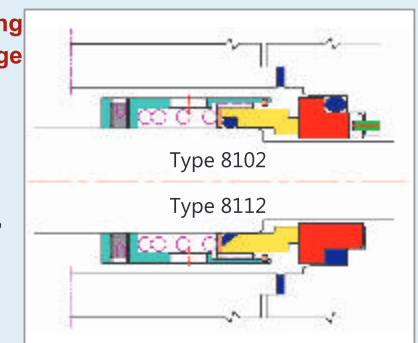


8102 Balanced Single Spring Seal In Retainer With 'O'ring 8112 Balanced Single Spring Seal In Retainer With Wedge

Independent Direction of Rotation (Inside Mounted)

- Size : 0.5" to 4"
- Pressure : up to 40Kg/cm2
- Temp : -40° to 200°C
- Application : Petrochemicals, General Chemicals, Oil Refineries, Suspended Particles, Mild Slurry Services

M.O.C. of Secondary Seal According to Fluid & Temp. Various Hard & Soft Faces As Per Liquid.



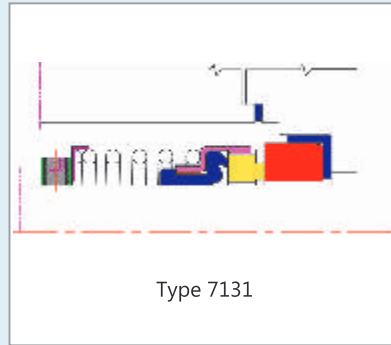
Type 8102

Type 8112



Unbalanced Rubber Bellow Seal With Split Face

Single Direction of Rotation (Inside Mounted)
 Size : 0.5" to 4"
 Pressure : up to 8Kg/cm2
 Temp : -40° to 150°C
 Application : Water, Mild Chemicals, Oil
 M.O.C. of Secondary Seal According to Fluid & Temp.
 Various Hard & Soft Faces As Per Liquid.



Type 7131

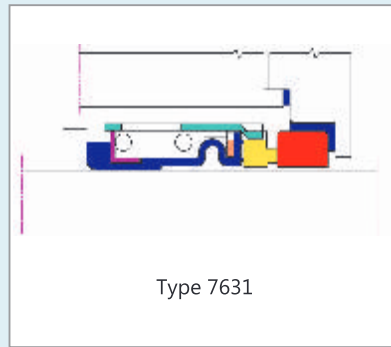


Unbalanced Rubber Bellow Seal With Split Face

Size : 0.5" to 4"
 Pressure : up to 8Kg/cm2
 Temp : -40° to 150°C
 Application : Water, Mild Chemicals, Oil
 M.O.C. of Secondary Seal According to Fluid & Temp.
 Various Hard & Soft Faces As Per Liquid.

***Also Available Seal**

Type 7431, 7231 (Close Type), 7331 (Open Type)



Type 7631

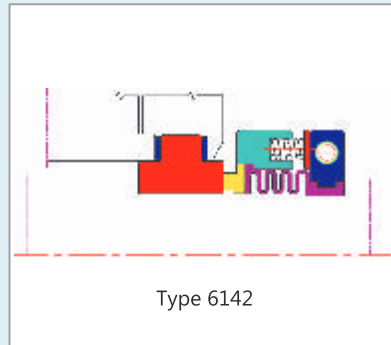


Teflon Bellow Seal With Combined Face

Independent Direction of Rotation (Outside Mounted)
 Size : 0.5" to 4"
 Pressure : up to 3.5Kg/cm2
 Temp : -40° to 110°C
 Application : Chemicals
 Aggressive Corrosive Application
 Various Faces SiCFT, GFT, Ceramic.

***Also Available**

Type 6242, Teflon Bellow Seal With Split Face
 Type 6342, Teflon Bellow Single Spring Seal With Split Face



Type 6142



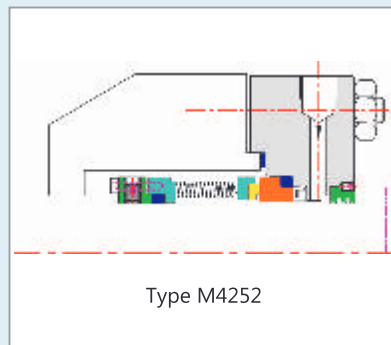
Metal Bellow Balanced Seal With Grafoil Packing

Independent Direction of Rotation (Inside Mounted)
 Size : 0.5" to 4"
 Pressure : up to 15Kg/cm2
 Temp : -75° to 450°C
 Application : Petrochemicals,
 General Chemicals, Oil Refineries,
 Corrosive and Abrasive

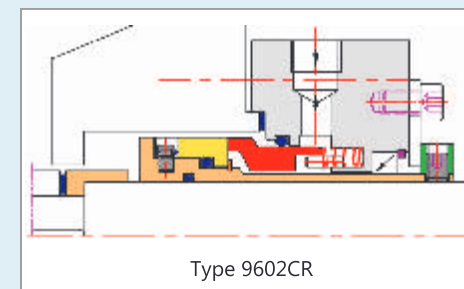
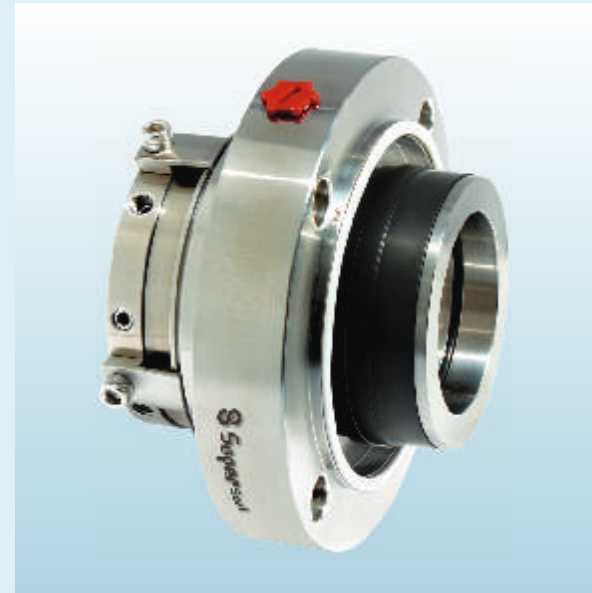
M.O.C. of Secondary Seal According to Fluid & Temp.
 Various Hard & Soft Faces As Per Liquid.

***Also Available Seal**

Type M4202, Metal Bellow Seal With 'O' Ring
 Type M4352, Metal Bellow Seal With Grafoil Packing (Sleeve Type)
 Type M4452, Metal Bellow Seal With Grafoil Packing (Bellow as Stationary)



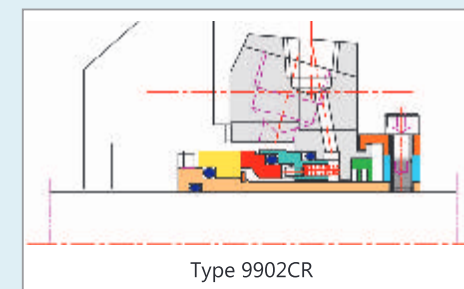
Type M4252



Type 9602CR

Balanced Multi Springs Slurry Seal

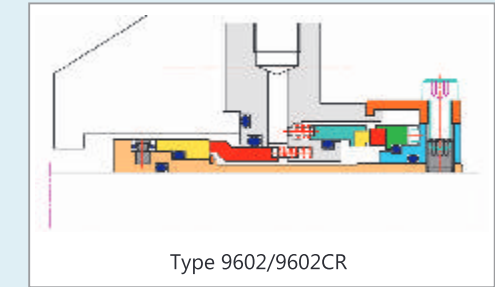
Independent Direction of Rotation (Cartridge)
 Size : 0.5" to 4"
 Pressure : up to 25Kg/cm2
 Temp : -40° to 200°C
 Application : Petrochemicals, General Chemicals,
 Waste Water, Mining Industries
 Pulp Sludge Abrasive Services
 M.O.C. of Secondary Seal According to Fluid & Temp.
 Various Hard & Soft Faces As Per Liquid.



Type 9902CR

Balanced Multi Springs Slurry Seal

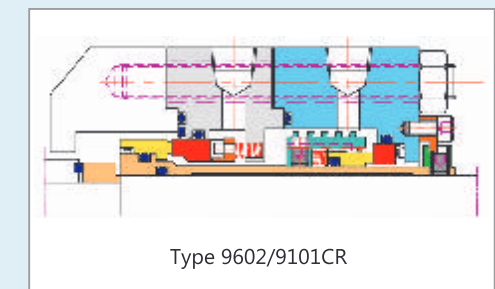
Independent Direction of Rotation (Cartridge)
 Size : 1" to 4"
 Pressure : up to 25Kg/cm2
 Temp : -40° to 200°C
 Application : Petrochemicals, General Chemicals,
 Waste Water, Mining Industries
 Pulp Sludge Abrasive Services
 M.O.C. of Secondary Seal According to Fluid & Temp.
 Various Hard & Soft Faces As Per Liquid.



Type 9602/9602CR

Balanced Multi Springs Slurry Seal (DOUBLE SEAL)

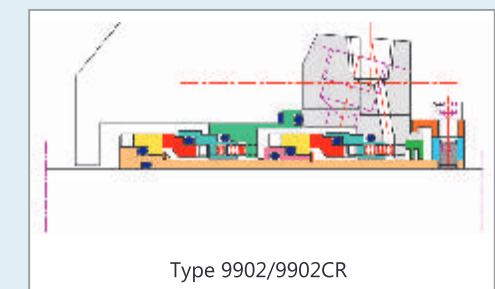
Independent Direction of Rotation (Cartridge)
 Size : 1" to 4"
 Pressure : up to 25Kg/cm2
 Temp : -40° to 200°C
 Application : Petrochemicals, General Chemicals,
 Toxic Liquids, Hazardous Liquids,
 Suspended Abrasive, Corrosive Liquids
 M.O.C. of Secondary Seal According to Fluid & Temp.
 Various Hard & Soft Faces As Per Liquid.



Type 9602/9101CR

Balanced Multi Springs Slurry Seal (DOUBLE SEAL)

Independent Direction of Rotation (Cartridge)
 Size : 1" to 4"
 Pressure : up to 25Kg/cm2
 Temp : -40° to 200°C
 Application : Toxic Liquids, Hazardous Liquids,
 Suspended Abrasive, Corrosive Liquids
 M.O.C. of Secondary Seal According to Fluid & Temp.
 Various Hard & Soft Faces As Per Liquid.



Type 9902/9902CR

Balanced Multi Springs Slurry Seal (DOUBLE SEAL)

Independent Direction of Rotation (Cartridge)
 Size : 1" to 4"
 Pressure : up to 25Kg/cm2
 Temp : -40° to 200°C
 Application : Toxic Liquids, Hazardous Liquids,
 Suspended Abrasive, Corrosive Liquids
 M.O.C. of Secondary Seal According to Fluid & Temp.
 Various Hard & Soft Faces As Per Liquid