



JANS

JCPL PRODUCTS

| | |
|---------------------------------|----|
| Copper Bus Bars | 01 |
| Copper Strips | 02 |
| Copper Profile / Section | 03 |
| Copper Flexible Laminated | 04 |
| Copper Flexible Laminated | 05 |
| Copper Pipe | 06 |
| Copper Anode | 07 |
| Alluminium Bus Bars | 08 |

EARTHING & LIGHTING PROTECTION

| | |
|---|----|
| Copper Bonded Steel Earth Rod & Accessories | 09 |
| Pure Copper Earth Rods & Accessories | 10 |
| Air Termination Rods & Accessories | 11 |
| Fittings | 12 |
| Clamps & Bonds | 13 |
| Clamps & Fittings | 14 |
| Conductors | 15 |

CABLE LUGS

| | |
|--|----|
| Heavy Duty Industrial Cable Lugs | 16 |
| Heavy Duty Four Hole Cable Lugs | 17 |
| Heavy Duty Bell Mouthed Cable Lugs | 18 |
| Heavy Duty Ferrule Long Barrel | 19 |
| Heavy Duty Ferrule Short Barrel | 20 |
| Industrial Type Long Barrel Cable Lugs | 21 |
| Light Duty Industrial Cable Lugs | 22 |
| Long Palm Cable Lugs | 23 |

CABLE GLANDS

| | |
|-------------------------------------|----|
| A1/A2 Industrial Cable Glands | 24 |
| BW Industrial Cable Glands | 25 |
| CW Industrial Cable Glands | 26 |
| E1W Industrial Cable Glands | 27 |

Welcome to Jans !!

With a modest beginning in the year 2003 as a manufacturer and budding exporter of copper and copper alloys products, to becoming one of the leading suppliers from India.

The group JANS has managed to achieve a lot in a short span of time. With its world class manufacturing facility in Daman, JANS has served a lot of companies in the Power & Energy Sector and continues to do so exceptionally well.

Our company boasts a wide variety of clientele spread throughout the world, including the biggest players in this industry.

JANS has now forayed in manufacturing of Earthing Accessories, Cable Lugs and Glands. This brings us a step closer to achieving our vision of becoming a world class one stop solution for all the Electrical and Engineering requirements of our present and future customers.

With our skilled and experienced team members along with advanced technology facilities, we are confident to achieve this milestone and prove to be yet another example of exemplary success.

PRODUCTS

Copper Bus bars

General Properties

Copper Products for electrical purposes are produced to meet International Standards including Copper Content of 99.9% JIS, BS EN, DIN, ASTM and IS as required by customer specifications.

Size

1) **Copper Flat Bars**

Thickness: 1 mm to 60mm Width up to 260mm
Edge : Square Edge, Radius Edge, Full Radius Edge

2) **Copper Square Bars** 4mm to 120mm

3) **Copper Round Bars/Rod** 4mm to 150mm

4) **Copper Hex Bars** 4mm to 75mm

5) **Copper Wire Rod** 8mm, 12mm, 16mm, 20mm

Surface Treatment

Electro-plated Tin Plating Tin-plated copper improves the jointing surface effectiveness and reduces the electrical resistance of the joint.

Fields of Application

Bus Bars, Transformer Connectors, Earthing Protection in L.T and H.T Electrical Panels, Power Transmission equipment, Control Panels etc.



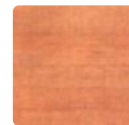
Full Round (FR)



Slightly Round Edge (SE)



Square Bar (SQ)



Hexagon



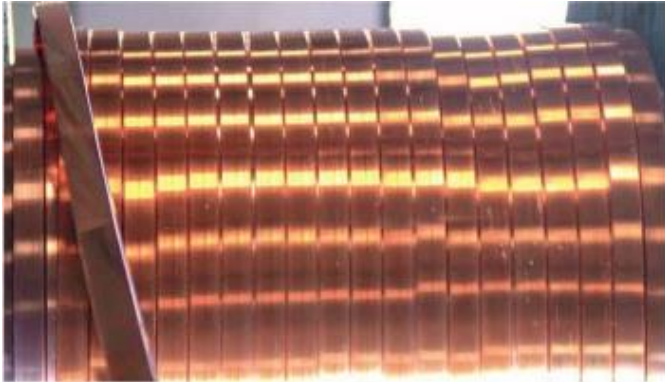
Round Bar (RB)



Copper Strips

General Properties

Copper Products for electrical purposes are produced to meet International Standards including Copper Content of 99.9% JIS, BS EN, DIN, ASTM and IS as required by customer specifications.



Size

1) **Copper Strips**

Thickness: 3mm to 6mm Width up to 160mm

2) **Copper Foil**

Thickness: 0.1 mm Minimum Width up to 360mm

3) **Copper Tape**

Thickness: 2mm to 6mm Width up to 75mm for Earthing Purpose

Standard Coil Size

ID 300mm. Minimum OD 1,000mm.

Maximum Length upon agreement.

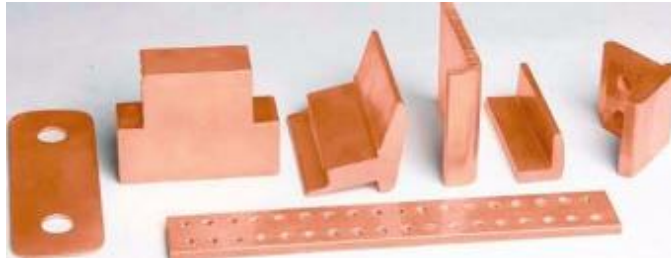
Fields of Application

Bus Bars, Transformer Connectors, Earthing Protection in L.T. and H.T. Electrical Panels, Power Transmission equipment, Control Panels etc.

Copper Profile / Section

General Properties

Copper Products for electrical purposes are produced to meet International Standards including Copper Content of 99.9% JIS, BS EN, DIN, ASTM and IS as required by customer specifications.



Product description

Copper profiles or Section made as per customers drawings.
 Copper profiles with strict dimensional tolerances such as C-connectors, L-shape, Y-shape, H-shape, etc.
 Surface Treatment Electro-plated Tin Plating

Fields of Application

Power Generators, Hydro-generators, Turbo-Generators, Wind-Generators and Nuclear-Generators, Electrical appliances, Heat Sinks or CPU Coolers, etc.

Copper Flexibles Laminated



These laminated Copper Flexible Connections are produced from high conductivity electrolytic grade copper foils/sheets. We follow various methods to produce these flexible lumpers.

In Press welding, individual Copper strips are fused (one homogeneous mass) together by applying direct current and pressure without the use of any foreign material.

It results in producing a solid palm with properties of a plain busbar of the same cross section. This method assures minimum resistance thus increasing the product life & reduction in downtime.

Welding provides the best mechanical & electrical properties at high temperatures. Moreover, the laminated flexibles take less cross section area than braided flexible. These are available in all sizes covering the desired cross section area. Slotted holes can be provided.

Copper Flexibles Laminated



These laminated Copper Flexible Connections are produced from high conductivity electrolytic grade copper foils/sheets. We follow various methods to produce these flexible lumpers. In Press welding, individual Copper strips are fused (one homogeneous mass) together by applying direct current and pressure without the use of any foreign material.

It results in producing a solid palm with properties of a plain busbar of the same cross section. This method assures minimum resistance thus increasing the product life & reduction in downtime.

Welding provides the best mechanical & electrical properties at high temperatures. Moreover, the laminated flexibles take less cross section area than braided flexible. These are available in all sizes covering the desired cross section area. Slotted holes can be provided.



Copper Pipe

Straight Copper Tubes

GCL manufactures high strength and corrosion resistant Copper Pipes and Tubes.

Manufacturing Dimension for Straight Copper

Tubes and Pipes:

| OD | Thickness minimum | Temper |
|--------------|-------------------|--|
| 4mm to 150mm | 0.27mm to 12mm | Soft annealed(O) Light drawn (1/4H) Drawn (1/2H) Horddrawn(H) |

Application of Straight Copper Tubes and Pipes:

Air Conditioner and Refrigerator

Water Tube Service and Distribution

Fire Protection, Solar, Fuel/Fuel Oil

Natural Gas, Liquefied Petroleum (LP)

Gas HVAC, Snow Melting, Drain, Waste,

Vent Piping, Re-drawing Use, Heat Exchange Use



Copper Anode

Phosphorous Copper Anodes (Cu-DHP) mainly used for the plating of Printed Circuit Boards

Phosphorus-deoxidized copper 99.90 Cu 0.02 to 0.08% (DHP)

Oval : 80mm x 30mm or customer requirement

Ball : 0.25mm, 0.38mm, 0.50mm or customer requirement



Copper strips

General Properties

Copper Products for electrical purposes are produced to meet International Standards including Copper Content of 99.9% JIS, BS EN, DIN, ASTM and IS as required by customer specifications.



Size

1) Aluminium Flat Bars

Thickness: 1 mm to 60mm Width up to 260mm Edge: Square Edge, Radius Edge, Full Radius Edge

2) Aluminium Square Bars 4mm to 120mm

3) Aluminium Round Bars/Rod 4mm to 150mm

4) Aluminium Hex Bars 4mm to 75mm

5) Aluminium Wire Rod 8mm, 12mm, 16mm, 20mm

Surface Treatment

Electro-plated Tin Plating

Tin-plated Aluminium improves the jointing surface effectiveness and reduces the electrical resistance of the joint.

Fields of Application

Bus Bars, Transformer Connectors, Earthing Protection in L.T and H.T. Electrical Panels, Power Transmission equipment, Control Panels etc.

Temper

All tempers: Soft grade/Half Hard/Hard

Packing

Wooden Boxed: Wrapped with Plastic & Jute.

Copper Bonded Steel Earth Rod And Accessories



Copper bonded steel earth rods are the most commonly used earth electrode. They are suitable for most application, compatible for deep driving & are economical. Copper bonded steel earth rods are made by molecularly bonding 99.9% pure copper onto high carbon, low tensile steel rods.

Coupler



| Thread Dia | Material | Part No. |
|------------|----------|----------|
| 5/8" | Brass | JC-C-58 |
| 3/4" | Brass | JC-C-34 |

* Other sizes available on request.
 ** Coupler available in other materials,
 Phosphour Bronze / Silicon Bronze / Gunmetal

Driving Head



| Thread Dia | Material | Part No. |
|------------|----------|----------|
| 5/8" | Steel | JC-DH-58 |
| 3/4" | Steel | JC-DH-34 |

* Other sizes available on request.

| Thread Size | Length | Rod Dia | Part No. |
|-------------|--------|---------|---------------|
| 5/8" | 1200mm | 13.70mm | JC-SER 58/1.2 |
| 5/8" | 1500mm | 13.70mm | JC-SER 58/1.5 |
| 5/8" | 1800mm | 13.70mm | JC-SER 58/1.8 |
| 5/8" | 2400mm | 13.70mm | JC-SER 58/2.4 |
| 5/8" | 3000mm | 13.70mm | JC-SER 58/3.0 |
| 3/4" | 1200mm | 16.70mm | JC-SER 34/1.2 |
| 3/4" | 1500mm | 16.70mm | JC-SER 34/1.5 |
| 3/4" | 1800mm | 16.70mm | JC-SER 34/1.8 |
| 3/4" | 2400mm | 16.70mm | JC-SER 34/2.4 |
| 3/4" | 3000mm | 16.70mm | JC-SER 34/3.0 |

* Other sizes available on request.
 ** We provide upto 250 micron copper coating on earth rods
 *** Actual size may vary by +/- 5%

Pure Copper Earth Rods & Accessories



Coupling Dowel



| Thread Dia | Length | Part No. |
|------------|--------|----------|
| M10 | 40mm | JC-CD-10 |

Driving Head



| Thread Dia | Part No. |
|------------|----------|
| M10 | JC-DH-10 |

Driving Spike



| Thread Dia | Part No. |
|------------|----------|
| M10 | JC-DS-10 |

| Earth Rod Dia | Length | Thread | Part No. |
|---------------|--------|--------|---------------|
| 15mm | 1200mm | M10 | JC-CER 15/1.2 |
| 15mm | 1500mm | M10 | JC-CER 15/1.5 |
| 15mm | 2400mm | M10 | JC-CER 15/2.4 |
| 16mm | 1200mm | M10 | JC-CER 16/1.2 |
| 16mm | 1500mm | M10 | JC-CER 16/1.5 |
| 16mm | 2400mm | M10 | JC-CER 16/2.4 |
| 20mm | 1200mm | M10 | JC-CER 20/1.2 |
| 20mm | 1500mm | M10 | JC-CER 20/1.5 |
| 20mm | 2400mm | M10 | JC-CER 20/2.4 |

* Other sizes available on request.

Pure Copper Earth Rods are made of pure (100%) electrolytic copper. The Earth Rods are hard drawn from extruded copper bars. Pure copper earth rods are preferred where soil conditions are very aggressive & corrosive. The rods are threaded internally to make it extensible for deep driving with the help of couplers.

Air Termination Rods & Accessories

Air termination rods are made of pure copper. The rods are made with a tapered tip and is always installed on the top portion of the facility to be protected. Air termination rods arrest or attract the lightning strike and guide the energy to ground. Air terminaton rods are fixed on the building with the help of a base.

| Size - Rod Length | Material | Part No. |
|-------------------|----------|---------------|
| 15 x 300mm | Copper | JC-ATR 15/0.3 |
| 15 x 500mm | Copper | JC-ATR 15/0.5 |
| 15 x 1000mm | Copper | JC-ATR 15/0.1 |
| 15 x 1500mm | Copper | JC-ATR 15/1.5 |
| 15 x 2000mm | Copper | JC-ATR 15/2.0 |



Air Terminal Base



| Size | Material | Part No. |
|------|----------|-----------|
| 16mm | Gunmetal | JC-ATB 16 |
| 20mm | Gunmetal | JC-ATB 20 |

Flat Saddle



| Size | Material | Part No. |
|------|----------|----------|
| 16mm | Gunmetal | JC-FS 16 |
| 20mm | Gunmetal | JC-FS 20 |

Multiple Point



| Size | Material | Part No. |
|------|----------|----------|
| 16mm | Copper | JC-MP 16 |

Ridge Saddle



| Size | Material | Part No. |
|------|----------|----------|
| 8mm | Gunmetal | JC-RS 08 |

D.C. Tape Clip



| Size | Material | Part No. |
|----------|----------|-----------|
| 25 X 3mm | Gunmetal | JC-DC 253 |
| 25 x 6mm | Gunmetal | JC-DC 256 |
| 31 x 3mm | Gunmetal | JC-DC 313 |
| 31 x 6mm | Gunmetal | JC-DC 316 |
| 50 x 3mm | Gunmetal | JC-DC 503 |
| 50 x 6mm | Gunmetal | JC-DC 506 |

Square Tape Clamp



| Size | Material | Part No. |
|----------|----------|------------|
| 25 x 3mm | Gunmetal | JC-STC 253 |
| 25 x 6mm | Gunmetal | JC-STC 256 |
| 31 x 3mm | Gunmetal | JC-STC 313 |
| 50 x 3mm | Gunmetal | JC-STC 503 |
| 50 x 6mm | Gunmetal | JC-STC 506 |

Oblong Test Clamp

| Size | Material | Part No. |
|----------|------------|------------|
| 26 X 8mm | XR-OTC-268 | JC-OTC 268 |



Square Conductor Saddle

| Size | Material | Part No. |
|---------|-----------|-----------|
| 50Sq.mm | XR-SCS-50 | JC-SCS 50 |
| 70Sq.mm | XR-SCS-70 | JC-SCS 70 |
| 95Sq.mm | XR-SCS-95 | JC-SCS 95 |



Heavy Duty Cable Saddle



| Size | Material | Part No. |
|---------|----------|-----------|
| 50Sq.mm | Gunmetal | JC-HCS 50 |
| 70Sq.mm | Gunmetal | JC-HCS 70 |
| 95Sq.mm | Gunmetal | JC-HCS 95 |

Test Clamp



| Size | Material | Part No. |
|---------|----------|----------|
| 50Sq.mm | XR-TC-50 | JC-TC 50 |
| 70Sq.mm | XR-TC-70 | JC-TC 70 |
| 95Sq.mm | XR-TC-95 | JC-TC 95 |

B Bond



| Size | Material | Part No. |
|----------|----------|-----------|
| 25 x 3mm | Gunmetal | JC-BB 253 |

Rain Water Pipe Bond

| Size | Material | Part No. |
|------|----------|-----------|
| 26mm | Gunmetal | JC-RWB 26 |



Tower Earth Clamp



| Size | Material | Part No. |
|-------------|----------|---------------|
| 16-70Sqmm | Gunmetal | JC-TEC 1670 |
| 70-120Sqmm | Gunmetal | JC-TEC 70120 |
| 120-185Sqmm | Gunmetal | JC-TEC 120185 |
| 185-240Sqmm | Gunmetal | JC-TEC 185240 |
| 240-300Sqmm | Gunmetal | JC-TEC 240300 |

| Size | Material | Part No. |
|------|----------|----------|
| 8mm | Gunmetal | JC-TC 08 |

Tee Clamp



Plate Type Test Clamp



| Size | Material | Part No. |
|-----------|----------|-------------|
| 26 x 15mm | Gunmetal | JC-PTC 2615 |

Screw Down Test Clamp



| Size | Material | Part No. |
|----------|----------|--------------|
| 26 x 8mm | Gunmetal | JC-SDTC 2608 |

| Size | Material | Part No. |
|------|----------|-----------|
| 26mm | Gunmetal | JC-WMB 26 |

WaterMain Bond



Earth Bonding Point



| Size | Material | Part No. |
|-------|----------|-----------|
| 1Hole | Gunmetal | JC-EBP 01 |
| 2Hole | Gunmetal | JC-EBP 02 |
| 4Hole | Gunmetal | JC-EBP 03 |

Water Pipe Clamp



| Size | Material | Part No. |
|-----------|----------|-----------|
| 1/2" - 1" | Gunmetal | JC-WPC 01 |
| 1" - 2" | Gunmetal | JC-WPC 02 |
| 2" - 4" | Gunmetal | JC-WPC 04 |
| 4" - 6" | Gunmetal | JC-WPC 06 |

Rod to Tape Clamp (Type A)



| Size | Material | Part No. |
|-----------|----------|------------|
| 26 x 12mm | Gunmetal | JC-A 26/12 |
| 31 x 12mm | Gunmetal | JC-A 31/12 |
| 40 x 10mm | Gunmetal | JC-A 40/10 |
| 51 x 8mm | Gunmetal | JC-A 51/08 |

Rod to Tape Clamp (Type G)



| Size | Material | Part No. |
|------|----------|----------|
| 1/2" | Gunmetal | JC-G 12 |
| 5/8" | Gunmetal | JC-G 58 |
| 3/4" | Gunmetal | JC-G 34 |
| 1" | Gunmetal | JC-G 1 |

U Bolt Rod Clamp (Type E)



| Size | Material | Part No. |
|-------------|----------|---------------|
| 16-70Sqmm | Gunmetal | JC-GUV 1670 |
| 70-185Sqmm | Gunmetal | JC-GUV 70185 |
| 150-300Sqmm | Gunmetal | JC-GUV 150300 |

U Bolt Rod Clamp (Type GUV)



| Size | Material | Part No. |
|------|----------|----------|
| 16mm | Gunmetal | JC-E 16 |
| 20mm | Gunmetal | JC-E 20 |
| 25mm | Gunmetal | JC-E 25 |
| 31mm | Gunmetal | JC-E 31 |
| 38mm | Gunmetal | JC-E 38 |
| 50mm | Gunmetal | JC-E 50 |

PUB Type Clamp



| Size | Material | Part No. |
|--------|----------|------------|
| 5/8" | Gunmetal | JC-PUB 58 |
| 3/4" | Gunmetal | JC-PUB 34 |
| 1" | Gunmetal | JC-PUB 1 |
| 1 1/2" | Gunmetal | JC-PUB 1.5 |
| 2" | Gunmetal | JC-PUB 2 |
| 2 1/2" | Gunmetal | JC-PUB 2.5 |
| 3" | Gunmetal | JC-PUB 3 |
| 4" | Gunmetal | JC-PUB 4 |

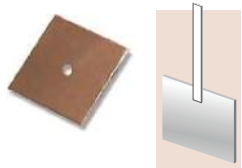
Note:

* Clamps are available in Brass also.

** Choice of fasteners & U bolt include MS / Brass / SS

Solid Copper Earth Plate

Metal : Electrolytic Copper



| SIZE (A x B x C) | Part No. |
|------------------|-------------|
| 600 x 600 x 1.5 | JCSCP - 615 |
| 600 x 600 x 3 | JCSCP - 63 |
| 600 x 600 x 5 | JCSCP - 65 |
| 500 x 500 x 3 | JCSCP - 53 |
| 500 x 500 x 3 | JCSCP - 55 |
| 900 x 900 x 3 | JCSCP - 93 |
| 900 x 900 x 5 | JCSCP - 95 |
| 1000 x 1000 x 3 | JCSCP - 103 |
| 1000 x 1000 x 5 | JCSCP - 105 |

Earthing Conductor



| Size | Material | Part No. |
|----------|----------|-----------|
| 25 x 3mm | Copper | JC-CT 253 |
| 25 x 6mm | Copper | JC-CT 256 |
| 31 x 3mm | Copper | JC-CT 313 |
| 50 x 3mm | Copper | JC-CT 503 |
| 50 x 6mm | Copper | JC-CT 506 |

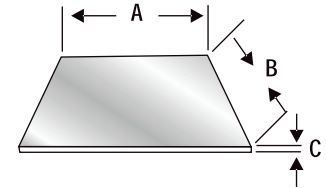
Bare / Tinned Copper Conductor

Available in sizes 0 - 400 sq mm.



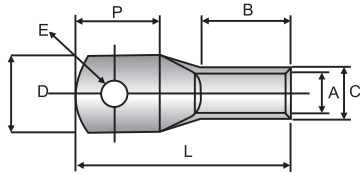
Copper Bonded Earth Plate

Metal : Steel



| SIZE (A x B x C) | Part No. |
|------------------|------------|
| 600 x 600 x 1.5 | JCBP - 615 |
| 500 x 500 x 1.5 | JCBP - 515 |
| 600 x 600 x 3 | JCBP - 63 |
| 900 x 900 x 3 | JCBP - 93 |
| 500 x 500 x 3 | JCBP - 53 |

Heavy Duty Industrial Cable Lugs



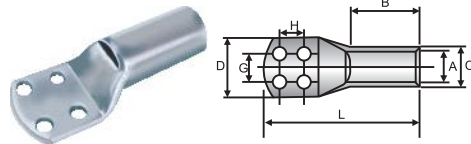
Technical Data

- Material: Cable Lugs manufactured from Electrolytic Copper
- Range: Cable Range from 1.5 to 1000 mm² with different stud hole
- Finish: Lead Free Electro Tin Plated to prevent atmospheric corrosion
- Application: Used for termination of copper conductors to equipments & switch gear panels.

| Cable Size mm ² | Stud Hole Size mm | Cable Lug Dimensions - mm | | | | | | Part No. |
|-------------------------------|-------------------|---------------------------|------|----|----|----|-----|--------------|
| | | E | A | C | B | D | P | |
| 1.5 | 5.5 | 1.8 | 3.7 | 5 | 8 | 10 | 16 | JC-HD 1.5/5 |
| 2.5 | 5.5 | 2.4 | 4.0 | 7 | 8 | 9 | 18 | JC-HD 2.5/5 |
| 4 | 6.5 | 3.1 | 4.8 | 7 | 10 | 11 | 20 | JC-HD 4/6 |
| 6 | 6.5 | 3.8 | 5.5 | 11 | 10 | 11 | 23 | JC-HD 6/6 |
| 10 | 6.5 | 4.5 | 6.2 | 11 | 11 | 13 | 25 | JC-HD 10/6 |
| 16 | 6.5 | 5.4 | 7.1 | 13 | 11 | 15 | 30 | JC-HD 16/6 |
| 25 | 8.5 | 6.8 | 8.8 | 12 | 13 | 15 | 32 | JC-HD 25/8 |
| 35 | 8.5 | 8.2 | 10.6 | 13 | 15 | 20 | 35 | JC-HD 35/8 |
| 50 | 8.5 | 9.5 | 12.4 | 17 | 18 | 20 | 42 | JC-HD 50/8 |
| 70 | 10.5 | 11.2 | 14.7 | 18 | 21 | 23 | 47 | JC-HD 70/10 |
| 95 | 10.5 | 13.5 | 17.4 | 20 | 25 | 28 | 55 | JC-HD 95/10 |
| 120 | 13.0 | 15.0 | 19.4 | 23 | 28 | 27 | 60 | JC-HD 120/13 |
| 150 | 13.0 | 16.5 | 21.2 | 26 | 30 | 35 | 69 | JC-HD 150/13 |
| 185 | 13.0 | 18.5 | 23.5 | 32 | 34 | 40 | 78 | JC-HD 185/13 |
| 240 | 17.0 | 21.0 | 26.5 | 38 | 38 | 40 | 92 | JC-HD 240/17 |
| 300 | 17.0 | 23.5 | 30.0 | 41 | 43 | 45 | 101 | JC-HD 300/17 |
| 400 | 17.0 | 28.5 | 36.5 | 45 | 52 | 50 | 114 | JC-HD 400/17 |
| 500 | 17.0 | 30.0 | 39.0 | 52 | 56 | 58 | 124 | JC-HD 500/17 |
| 630 | 17.0 | 35.0 | 45.0 | 56 | 65 | 68 | 144 | JC-HD 630/17 |
| 800 | Blank | 39.0 | 50.6 | 78 | 72 | 77 | 175 | JC-HD 800 |
| 1000 | Blank | 43.0 | 56.2 | 90 | 80 | 90 | 200 | JC-HD 1000 |

* Other sizes available on request.

Heavy Duty Four Hole Cable Lugs



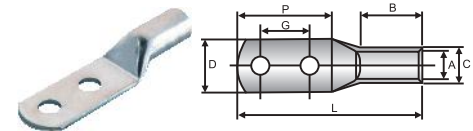
Technical Data

- Material: Cable Lugs Manufactured from Electrolytic Copper
- Range: Cable Range from 16 to 630 mm² with different stud hole
- Finish: Lead Free Electro Tin Plated to prevent atmospheric corrosion
- Application : Used for termination of copper conductors to transformers.

| Cable Size mm ² | Stud Hole Size mm | Cable Lug Dimensions - mm | | | | | | | Part No. |
|----------------------------|-------------------|---------------------------|------|------|------|------|------|-------|---------------|
| | | A | C | B | D | H | G | L | |
| 400 | 8.5 | 28.5 | 36.5 | 44.0 | 52.5 | 25.0 | 35.0 | 114.0 | JC-FH 400/8 |
| 400 | 10.5 | 28.5 | 36.5 | 44.0 | 52.5 | 25.0 | 35.0 | 114.0 | JC-FH 400/10 |
| 500 | 8.5 | 30.0 | 39.0 | 48.0 | 56.0 | 25.0 | 35.0 | 124.0 | JC-FH 500/8 |
| 500 | 10.5 | 30.0 | 39.0 | 48.0 | 56.0 | 25.0 | 35.0 | 124.0 | JC-FH 500/10 |
| 630 | 8.5 | 35.0 | 45.0 | 56.0 | 65.0 | 25.0 | 35.0 | 144.0 | JC-FH 630/8 |
| 630 | 10.5 | 35.0 | 45.0 | 56.0 | 65.0 | 25.0 | 35.0 | 144.0 | JC-FH 630/10 |
| 800 | 8.5 | 39.0 | 50.6 | 78.0 | 72.0 | 25.0 | 35.0 | 170.0 | JC-FH 800/8 |
| 800 | 10.5 | 39.0 | 50.6 | 78.0 | 72.0 | 25.0 | 35.0 | 170.0 | JC-FH 800/10 |
| 1000 | 8.5 | 43.0 | 56.2 | 90.0 | 78.5 | 25.0 | 35.0 | 200.0 | JC-FH 1000/8 |
| 1000 | 10.5 | 43.0 | 56.2 | 90.0 | 78.5 | 25.0 | 35.0 | 200.0 | JC-FH 1000/10 |

| Cable Size mm ² | Stud Hole Size mm | Cable Lug Dimensions - mm | | | | | | Part No. |
|----------------------------|-------------------|---------------------------|------|----|------|------|-----|--------------|
| | | A | C | B | D | G | L | |
| 16 | 10.5 | 5.4 | 7.1 | 16 | 14.5 | 44.5 | 100 | JC-TH 16/10 |
| 25 | 10.5 | 6.8 | 8.8 | 16 | 15 | 44.5 | 100 | JC-TH 25/10 |
| 35 | 10.5 | 8.2 | 10.6 | 16 | 16.5 | 44.5 | 100 | JC-TH 35/10 |
| 50 | 10.5 | 9.5 | 12.4 | 25 | 17 | 44.5 | 109 | JC-TH 50/10 |
| 70 | 10.5 | 11.2 | 14.7 | 30 | 21 | 44.5 | 114 | JC-TH 70/10 |
| 95 | 10.5 | 13.5 | 17.4 | 30 | 25 | 44.5 | 116 | JC-TH 95/10 |
| 120 | 13.0 | 15.0 | 19.4 | 35 | 27.5 | 44.5 | 122 | JC-TH 120/13 |
| 150 | 13.0 | 16.5 | 21.2 | 40 | 30 | 44.5 | 126 | JC-TH 150/13 |
| 185 | 13.0 | 18.5 | 23.5 | 42 | 33.5 | 44.5 | 132 | JC-TH 185/13 |
| 240 | 13.0 | 21.0 | 26.5 | 50 | 38.5 | 44.5 | 143 | JC-TH 240/13 |
| 300 | 13.0 | 23.5 | 30.0 | 55 | 43 | 44.5 | 144 | JC-TH 300/13 |
| 400 | 13.0 | 28.5 | 36.5 | 60 | 52.5 | 44.5 | 149 | JC-TH 400/13 |
| 500 | 13.0 | 30.0 | 39.0 | 65 | 56 | 44.5 | 160 | JC-TH 500/13 |
| 630 | 17.0 | 35.0 | 45.0 | 75 | 60 | 44.5 | 160 | JC-TH 630/17 |

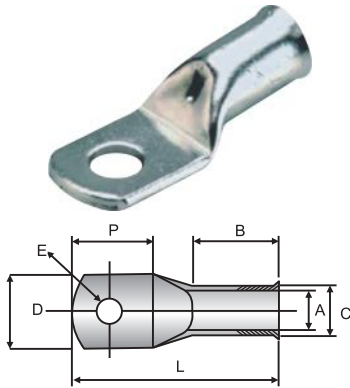
Heavy Duty Twin Hole Cable Lugs



Technical Data

- Material: Cable Lugs Manufactured from Electrolytic Copper
- Range: Cable Range from 16 to 630 mm² with different stud hole
- Finish: Lead Free Electro Tin Plated to prevent atmospheric corrosion
- Application: Used for termination of copper conductors to equipments & switch gear panels.

Heavy Duty BellMouthed Cable Lugs



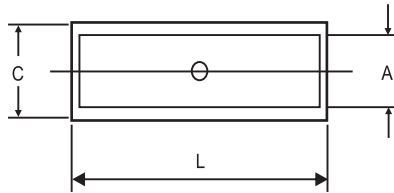
Technical Data

- Material: Cable Lugs manufactured from Electrolytic Copper
- Range: Cable Range from 10 to 1000 mm² with different stud hole
- Finish: Lead Free Electro Tin Plated to prevent atmospheric corrosion
- Application: Used for termination of copper conductors to equipments & switch gear panels.

| Cable Size mm ² | Stud Hole Size mm | Cable Lug Dimensions - mm | | | | | | Part No. |
|-------------------------------|-------------------|---------------------------|------|----|----|----|-----|--------------|
| | | E | A | C | B | D | P | |
| 10 | 6.5 | 4.4 | 6.9 | 10 | 11 | 11 | 29 | JC-BM 10/6 |
| 16 | 6.5 | 5.6 | 8.0 | 11 | 11 | 11 | 29 | JC-BM 16/6 |
| 25 | 8.5 | 7.0 | 9.5 | 14 | 13 | 19 | 42 | JC-BM 25/8 |
| 35 | 8.5 | 8.2 | 11.0 | 15 | 16 | 19 | 43 | JC-BM 35/8 |
| 50 | 8.5 | 9.5 | 12.1 | 18 | 18 | 18 | 48 | JC-BM 50/8 |
| 70 | 10.5 | 11.5 | 15.0 | 19 | 21 | 22 | 54 | JC-BM 70/10 |
| 95 | 10.5 | 13.5 | 17.0 | 24 | 25 | 24 | 60 | JC-BM 95/10 |
| 120 | 13.0 | 15.0 | 19.0 | 29 | 28 | 29 | 72 | JC-BM 120/13 |
| 150 | 13.0 | 16.5 | 21.0 | 30 | 30 | 32 | 74 | JC-BM 150/13 |
| 185 | 13.0 | 18.5 | 23.4 | 32 | 34 | 37 | 85 | JC-BM 185/13 |
| 240 | 17.0 | 21.0 | 26.0 | 36 | 38 | 42 | 93 | JC-BM 240/17 |
| 300 | 17.0 | 23.0 | 28.0 | 44 | 40 | 47 | 110 | JC-BM 300/17 |
| 400 | 17.0 | 27.0 | 36.0 | 44 | 51 | 48 | 111 | JC-BM 400/17 |
| 500 | 17.0 | 30.0 | 38.1 | 56 | 55 | 50 | 127 | JC-BM 500/17 |
| 630 | 17.0 | 34.0 | 44.0 | 50 | 62 | 52 | 130 | JC-BM 630/17 |

* Other sizes available on request.

Heavy Duty Ferrule Long Barrel



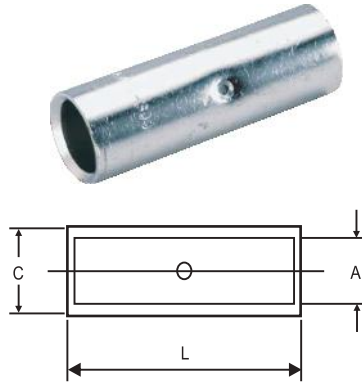
Technical Data

- Material: Cable Ferrule manufactured from Electrolytic Copper
- Range: Cable Range from 1.5 to 1000 mm²
- Finish: Lead Free Electro Tin Plated to prevent atmospheric corrosion
- Application : Used for termination & JTension of copper conductors.

| Cable Size mm ² | Cable Lug Dimensions - mm | | | Part No. |
|-------------------------------|---------------------------|------|-----|------------|
| | A | C | L | |
| 10 | 4.5 | 6.2 | 22 | JC-FLB 10 |
| 16 | 5.4 | 7.1 | 44 | JC-FLB 16 |
| 25 | 6.8 | 8.8 | 47 | JC-FLB 25 |
| 35 | 8.2 | 10.6 | 47 | JC-FLB 35 |
| 50 | 9.5 | 12.4 | 47 | JC-FLB 50 |
| 70 | 11.2 | 14.7 | 50 | JC-FLB 70 |
| 95 | 13.5 | 17.4 | 54 | JC-FLB 95 |
| 120 | 15.0 | 19.4 | 65 | JC-FLB 120 |
| 150 | 16.5 | 21.2 | 65 | JC-FLB 150 |
| 185 | 18.5 | 23.5 | 65 | JC-FLB 185 |
| 240 | 21.0 | 26.5 | 89 | JC-FLB 240 |
| 300 | 23.5 | 30.0 | 89 | JC-FLB 300 |
| 400 | 28.5 | 36.5 | 90 | JC-FLB 400 |
| 500 | 30.0 | 39.0 | 115 | JC-FLB 500 |
| 630 | 35.0 | 45.0 | 115 | JC-FLB 630 |

* Other sizes available on request.

Heavy Duty Ferrule Short Barrel



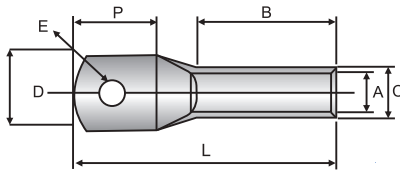
Technical Data

- Material: Cable Ferrule manufactured from Electrolytic Copper
- Range: Cable Range from 1.5 to 1000 mm²
- Finish: Lead Free Electro Tin Plated to prevent atmospheric corrosion
- Application : Used for termination & Jctension of copper conductors.

| Cable Size mm ² | Cable Lug Dimensions - mm | | | Part No. |
|-------------------------------|---------------------------|------|-----|------------|
| | A | C | L | |
| 10 | 4.5 | 6.2 | 20 | JC-FSB 10 |
| 16 | 5.4 | 7.1 | 20 | JC-FSB 16 |
| 25 | 6.8 | 8.8 | 32 | JC-FSB 25 |
| 35 | 8.2 | 10.6 | 36 | JC-FSB 35 |
| 50 | 9.5 | 12.4 | 40 | JC-FSB 50 |
| 70 | 11.2 | 14.7 | 45 | JC-FSB 70 |
| 95 | 13.5 | 17.4 | 45 | JC-FSB 95 |
| 120 | 15.0 | 19.4 | 45 | JC-FSB 120 |
| 150 | 16.5 | 21.2 | 55 | JC-FSB 150 |
| 185 | 18.5 | 23.5 | 60 | JC-FSB 185 |
| 240 | 21.0 | 26.5 | 80 | JC-FSB 240 |
| 300 | 23.5 | 30.0 | 85 | JC-FSB 300 |
| 400 | 28.5 | 36.5 | 85 | JC-FSB 400 |
| 500 | 30.0 | 39.0 | 100 | JC-FSB 500 |
| 630 | 35.0 | 45.0 | 110 | JC-FSB 630 |

* Other sizes available on request.

Industrial Type Long Barrel Cable Lugs



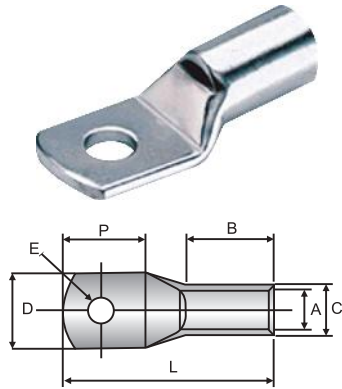
Technical Data

- Material: Cable Lugs manufactured from Electrolytic Copper
- Range: Cable Range from 1.5 to 1000 mm² with different stud hole
- Finish: Lead Free Electro Tin Plated to prevent atmospheric corrosion.
- Application: Used for termination of copper conductors to equipments & switch gear panels.

| Cable Size mm ² | Stud Hole Size mm | Cable Lug Dimensions - mm | | | | | | |
|-------------------------------|-------------------|---------------------------|------|----|----|----|-----|--------------|
| | | E | A | C | B | D | P | |
| 1.5 | 5.5 | 1.8 | 3.7 | 7 | 8 | 10 | 19 | JC-LB 1.5/5 |
| 2.5 | 5.5 | 2.4 | 4.0 | 7 | 8 | 9 | 18 | JC-LB 2.5/5 |
| 4 | 6.5 | 3.1 | 4.8 | 9 | 10 | 11 | 22 | JC-LB 4/6 |
| 6 | 6.5 | 3.8 | 5.5 | 12 | 10 | 11 | 26 | JC-LB 6/6 |
| 10 | 6.5 | 4.5 | 6.2 | 11 | 11 | 13 | 28 | JC-LB 10/6 |
| 16 | 6.5 | 5.4 | 7.1 | 20 | 11 | 15 | 39 | JC-LB 16/6 |
| 25 | 8.5 | 6.8 | 8.8 | 23 | 13 | 15 | 42 | JC-LB 25/8 |
| 35 | 8.5 | 8.2 | 10.6 | 23 | 15 | 20 | 46 | JC-LB 35/8 |
| 50 | 8.5 | 9.5 | 12.4 | 23 | 18 | 20 | 49 | JC-LB 50/8 |
| 70 | 10.5 | 11.2 | 14.7 | 24 | 21 | 23 | 54 | JC-LB 70/10 |
| 95 | 10.5 | 13.5 | 17.4 | 25 | 25 | 28 | 60 | JC-LB 95/10 |
| 120 | 13.0 | 15.0 | 19.4 | 32 | 28 | 27 | 70 | JC-LB 120/13 |
| 150 | 13.0 | 16.5 | 21.2 | 32 | 30 | 35 | 78 | JC-LB 150/13 |
| 185 | 13.0 | 18.5 | 23.5 | 32 | 34 | 40 | 82 | JCLB 185/13 |
| 240 | 17.0 | 21.0 | 26.5 | 42 | 38 | 40 | 99 | JC-LB 240/17 |
| 300 | 17.0 | 23.5 | 30.0 | 47 | 43 | 45 | 107 | JC-LB 300/17 |
| 400 | 17.0 | 28.5 | 36.5 | 48 | 52 | 50 | 116 | JC-LB 400/17 |
| 500 | 17.0 | 30.0 | 39.0 | 50 | 56 | 58 | 130 | JC-LB 500/17 |
| 630 | 17.0 | 35.0 | 45.0 | 57 | 65 | 68 | 146 | JC-LB 630/17 |
| 800 | Blank | 39.0 | 50.6 | 78 | 72 | 77 | 176 | JC-LB 800 |
| 1000 | Blank | 43.0 | 56.2 | 90 | 80 | 90 | 200 | JC-LB 1000 |

* Other sizes available on request.

Light Duty Industrial Cable Lugs



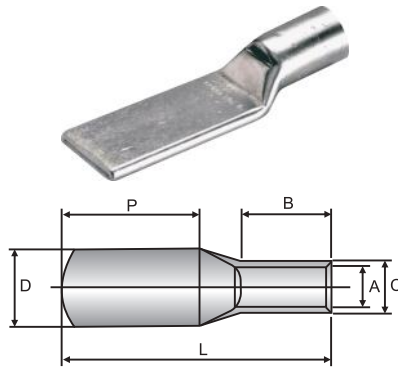
| Cable Size mm ² | Stud Hole Size mm | Cable Lug Dimensions - mm | | | | | | Part No. |
|-------------------------------|-------------------|---------------------------|------|----|----|----|-----|--------------|
| | | E | A | C | B | D | P | |
| 1.5 | 5.5 | 1.8 | 3.7 | 5 | 8 | 10 | 16 | JC-MD 1.5/5 |
| 2.5 | 5.5 | 2.4 | 4.0 | 7 | 8 | 9 | 18 | JC-MD 2.5/5 |
| 4 | 6.5 | 3.1 | 4.8 | 7 | 10 | 11 | 20 | JC-MD 4/6 |
| 6 | 6.5 | 3.8 | 5.5 | 11 | 10 | 11 | 23 | JC-MD 6/6 |
| 10 | 6.5 | 4.5 | 6.2 | 11 | 11 | 13 | 25 | JC-MD 10/6 |
| 16 | 6.5 | 5.4 | 7.1 | 13 | 11 | 15 | 30 | JC-MD 16/6 |
| 25 | 8.5 | 6.8 | 8.8 | 12 | 13 | 15 | 32 | JC-MD 25/8 |
| 35 | 8.5 | 8.0 | 10.0 | 13 | 15 | 18 | 35 | JC-MD 35/8 |
| 50 | 8.5 | 9.2 | 11.2 | 17 | 18 | 19 | 42 | JC-MD 50/8 |
| 70 | 10.5 | 11.5 | 13.8 | 18 | 21 | 22 | 47 | JC-MD 70/10 |
| 95 | 10.5 | 12.8 | 15.6 | 21 | 25 | 25 | 55 | JC-MD 95/10 |
| 120 | 13.0 | 14.8 | 17.8 | 23 | 28 | 27 | 60 | JC-MD 120/13 |
| 150 | 13.0 | 16.0 | 19.6 | 26 | 30 | 32 | 69 | JC-MD 150/13 |
| 185 | 13.0 | 18.0 | 22.0 | 32 | 34 | 36 | 78 | JC-MD 185/13 |
| 240 | 17.0 | 22.0 | 26.0 | 38 | 38 | 40 | 92 | JC-MD 240/17 |
| 300 | 17.0 | 24.0 | 28.7 | 43 | 43 | 44 | 101 | JC-MD 300/17 |
| 400 | 17.0 | 28.0 | 33.2 | 45 | 53 | 52 | 114 | JC-MD 400/17 |
| 500 | 17.0 | 30.0 | 36.0 | 50 | 56 | 56 | 124 | JC-MD 500/17 |
| 630 | 17.0 | 35.0 | 41.5 | 58 | 65 | 66 | 144 | JC-MD 630/17 |
| 800 | Blank | 39.0 | 46.3 | 78 | 72 | 77 | 175 | JC-MD 800 |
| 1000 | Blank | 43.0 | 52.2 | 90 | 80 | 90 | 200 | JC-MD 1000 |

* Other sizes available on request.

Technical Data

- Material: Cable Lugs manufactured from Electrolytic Copper
- Range: Cable Range from 1.5 to 1000 mm² with different stud hole
- Finish: Lead Free Electro Tin Plated to prevent atmospheric corrosion
- Application: Used for termination of copper conductors to equipments & switch gear panels.

Long Palm Cable Lugs

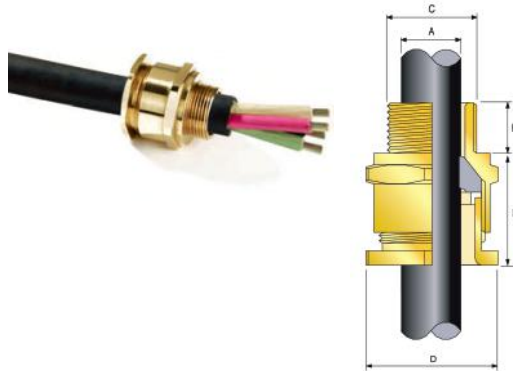


| Cable Size mm ² | Cable Lug Dimensions - mm | | | | | | Part No. |
|----------------------------|---------------------------|------|----|----|----|-----|-----------|
| | A | C | B | D | P | L | |
| 10 | 4.5 | 6.2 | 11 | 11 | 35 | 48 | JC-LP 10 |
| 16 | 5.4 | 7.1 | 13 | 12 | 35 | 50 | JC-LP 16 |
| 25 | 6.8 | 8.8 | 13 | 13 | 40 | 56 | JC-LP 25 |
| 35 | 8.2 | 10.6 | 15 | 15 | 40 | 58 | JC-LP 35 |
| 50 | 9.5 | 12.4 | 17 | 18 | 40 | 62 | JC-LP 50 |
| 70 | 11.2 | 14.7 | 18 | 21 | 48 | 72 | JC-LP 70 |
| 95 | 13.5 | 17.4 | 20 | 25 | 56 | 84 | JC-LP 95 |
| 120 | 15.0 | 19.4 | 23 | 28 | 56 | 90 | JC-LP 120 |
| 150 | 16.5 | 21.2 | 26 | 30 | 70 | 105 | JC-LP 150 |
| 185 | 18.5 | 23.5 | 32 | 34 | 80 | 122 | JC-LP 185 |
| 240 | 21.0 | 26.5 | 38 | 38 | 80 | 132 | JC-LP 240 |
| 300 | 23.5 | 30.0 | 41 | 43 | 90 | 145 | JC-LP 300 |
| 400 | 28.5 | 36.5 | 45 | 52 | 90 | 155 | JC-LP 400 |
| 500 | 30.0 | 39.0 | 52 | 56 | 90 | 158 | JC-LP 500 |
| 630 | 35.0 | 45.0 | 56 | 65 | 98 | 174 | JC-LP 630 |

Technical Data

- Material: Cable Lugs manufactured from Electrolytic Copper
- Range: Cable Range from 10 to 630 mm² with sealed palm
- Finish: Lead Free Electro Tin Plated to prevent atmospheric corrosion
- Application: Used for termination of copper conductors to equipments & switch gear panels.

A1 / A2 Industrial Cable Glands



| Cable Gland Size | Cable Diameter | | Cable Gland Dimension | | | Part No. |
|------------------|----------------|------|-----------------------|--------|-------------------------------|-----------|
| | | | Thread | | Gland Diameter Across Corners | |
| | Min | Max | Size | Length | | |
| 20S | 8.0 | 11.5 | 20 | 10 | 26.50 | JC-A2 20S |
| 20 | 11.0 | 13.5 | 20 | 10 | 28.50 | JC-A2 20 |
| 25 | 13.0 | 19.5 | 25 | 10 | 40.00 | JC-A2 25 |
| 32 | 19.0 | 25.5 | 32 | 10 | 45.50 | JC-A2 32 |
| 40 | 25.0 | 32.0 | 40 | 15 | 55.50 | JC-A2 40 |
| 50S | 31.5 | 37.0 | 50 | 15 | 61.00 | JC-A2 50S |
| 50 | 36.5 | 43.0 | 50 | 15 | 67.50 | JC-A2 50 |
| 63S | 42.5 | 50.0 | 63 | 15 | 78.20 | JC-A2 63S |
| 63 | 48.5 | 55.0 | 63 | 15 | 84.20 | JC-A2 63 |
| 75S | 54.5 | 61.0 | 75 | 15 | 90.50 | JC-A2 75S |
| 75 | 60.5 | 67.0 | 75 | 15 | 94.00 | JC-A2 75 |

* All dimensions are in mm

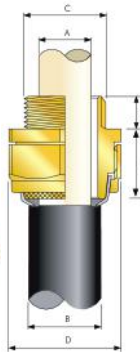
Technical Data

- Manufactured as per BS 6121 Part I 1989
- Manufactured of high quality brass
- Thermoplastic Elastomeric Rubber Gasket as seal material
- Cable outer sheath sealing by displacement technique
- Used for all types of unarmoured cables, plastic or rubber sheathed cables
- Rating : IP65
- Cable Gland Selection table is available on page no. 21 & 22

Application : For use with unarmoured cables with rubber outer sheath. Secures outer sheath of cable. Displacement seal concept makes it suitable for Indoor and outdoor application.

BW Industrial Cable Glands

CABLE GLANDS



| Cable Gland Size | Cable Dimension | | | Cable Gland Dimension | | | Part No. |
|------------------|-----------------|------|------------------|-----------------------|--------|-------------------------------|-----------|
| | MAX | | Armour Wire Dia. | Thread | | Gland Diameter Across Corners | |
| | U.A.D. | O.D. | | Size | Length | | |
| 20S | 11.6 | 15.8 | 0.9/1.25 | 20 | 10 | 25.5 | JC-BW 20S |
| 20 | 13.9 | 20.8 | 0.9/1.25 | 20 | 10 | 27.6 | JC-BW 20 |
| 25 | 19.9 | 27.2 | 1.25/1.60 | 25 | 10 | 38.5 | JC-BW 25 |
| 32 | 26.2 | 33.5 | 1.6/2.0 | 32 | 10 | 45.5 | JC-BW 32 |
| 40 | 32.1 | 39.9 | 1.6/2.0 | 40 | 15 | 54.0 | JC-BW 40 |
| 50S | 38.1 | 46.3 | 2.0/2.5 | 50 | 15 | 61.0 | JC-BW 50S |
| 50 | 44 | 52.6 | 2.0/2.5 | 50 | 15 | 67.5 | JC-BW 50 |
| 63S | 50 | 58.9 | 2.5 | 63 | 15 | 78.2 | JC-BW 63S |
| 63 | 55.9 | 65.3 | 2.5 | 63 | 15 | 84.2 | JC-BW 63 |
| 75S | 61.9 | 71.6 | 2.5 | 75 | 15 | 95.5 | JC-BW 75S |
| 75 | 67.9 | 78 | 2.5 | 75 | 15 | 102.0 | JC-BW 75 |

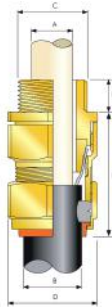
Technical Data

- Manufactured as per BS 6121 Part I 1989
- Manufactured of high quality brass
- Used for all types of steel wire armoured cables and are used in indoor application.
- Rating : IP65
- Cable Gland Selection table is available on page no. 21 & 22

* All dimensions are in mm

Application : For use with armour or braided cable, secures armouring & provides electrical continuity between armour & gland entry component made used it dry and indoor condition

CW Industrial Cable Glands



Technical Data

- Manufactured as per BS 6121 Part I 1989
- Manufactured of high quality brass
- Thermoplastic Elastomeric Rubber Gasket as seal material
- Cable sealing by compression technique
- Used for all types of steel wire armored cables and are used in outdoor application.
- Rating : IP65
- Cable Gland Selection table is available on page no. 21 & 22

| Cable Gland Size | Cable Dimension | | | Cable Gland Dimension | | | Part No. |
|------------------|-----------------|------|------------------|-----------------------|--------|-------------------------------|-----------|
| | MAX | | Armour Wire Dia. | Thread | | Gland Diameter Across Corners | |
| | U.A.D. | O.D. | | Size | Length | | |
| 20S | 11.6 | 15.8 | 0.9/1.25 | 20 | 10 | 25.5 | JC-CW 20S |
| 20 | 13.9 | 20.8 | 0.9/1.25 | 20 | 10 | 27.6 | JC-CW 20 |
| 25 | 19.9 | 27.2 | 1.25/1.60 | 25 | 10 | 38.5 | JC-CW 25 |
| 32 | 26.2 | 33.5 | 1.6/2.0 | 32 | 10 | 45.5 | JC-CW 32 |
| 40 | 32.1 | 39.9 | 1.6/2.0 | 40 | 15 | 54.0 | JC-CW 40 |
| 50S | 38.1 | 46.3 | 2.0/2.5 | 50 | 15 | 61.0 | JC-CW 50S |
| 50 | 44 | 52.6 | 2.0/2.5 | 50 | 15 | 67.5 | JC-CW 50 |
| 63S | 50 | 58.9 | 2.5 | 63 | 15 | 78.2 | JC-CW 63S |
| 63 | 55.9 | 65.3 | 2.5 | 63 | 15 | 84.2 | JC-CW 63 |
| 75S | 61.9 | 71.6 | 2.5 | 75 | 15 | 95.5 | JC-CW 75S |
| 75 | 67.9 | 78 | 2.5 | 75 | 15 | 102.0 | JC-CW 75 |

* All dimensions are in mm

Application : For use with armoured cable, secures armouring and provides electrical continuity between armour and gland entry component. Also provides a seal on the outer sheath of the cable thus ensuring no damage to cable sheathing. These are used both indoor and outdoor, in all climatic conditions as it is weatherproof & waterproof.

E1W Industrial Cable Glands



Technical Data

- Manufactured as per BS 6121 Part I 1989
- Manufactured of high quality brass
- Thermoplastic Elastomeric Rubber Gasket as seal material, seals our cable sheath and inner cable bedding
- Cable sealing by compression technique
- Used for all types of steel wire armoured cables and are used in outdoor application.
- Rating : IP65
- Cable Gland Selection table is available on page no. 21 & 22

| Cable Gland Size | Cable Dimension | | | Cable Gland Dimension | | | Part No. |
|------------------|-----------------|------|------------------|-----------------------|--------|-------------------------------|------------|
| | MAX | | Armour Wire Dia. | Thread | | Gland Diameter Across Corners | |
| | U.A.D. | O.D. | | Size | Length | | |
| 20S | 11.6 | 15.8 | 0.9/1.25 | 20 | 10 | 25.5 | JC-E1W 20S |
| 20 | 13.9 | 20.8 | 0.9/1.25 | 20 | 10 | 27.6 | JC-E1W 20 |
| 25 | 19.9 | 27.2 | 1.25/1.60 | 25 | 10 | 38.5 | JC-E1W 25 |
| 32 | 26.2 | 33.5 | 1.6/2.0 | 32 | 10 | 45.5 | JC-E1W 32 |
| 40 | 32.1 | 39.9 | 1.6/2.0 | 40 | 15 | 54.0 | JC-E1W 40 |
| 50S | 38.1 | 46.3 | 2.0/2.5 | 50 | 15 | 61.0 | JC-E1W 50S |
| 50 | 44 | 52.6 | 2.0/2.5 | 50 | 15 | 67.5 | JC-E1W 50 |
| 63S | 50 | 58.9 | 2.5 | 63 | 15 | 78.2 | JC-E1W 63S |
| 63 | 55.9 | 65.3 | 2.5 | 63 | 15 | 84.2 | JC-E1W 63 |
| 75S | 61.9 | 71.6 | 2.5 | 75 | 15 | 95.5 | JC-E1W 75S |
| 75 | 67.9 | 78 | 2.5 | 75 | 15 | 102.0 | JC-E1W 75 |

* All dimensions are in mm

Application : For use with all types of SWA extruded bedding cable where it is essential to produce IP 66 seal on to the outer sheath and also produce an IP 66 or explosion proof seal on inner sheath. It provides seals on to both inner sheath and outer sheath of the cable.



Countries We Serve ...



UAE



Philippines



Singapore



USA



UK



Nepal



Mauritius



Nigeria



Germany



Bangladesh



Maldives

Sri Lanka



Indonesia



Bahrain



Pakistan



Kenya



Saudi Arabia



Thailand



Ghana



Israel



Egypt



Canada



Regd. Office: 11/43, B. J. Marg, Lifescaps Nilay, 34, 2nd Floor, Opp. Halai Lohana Mahajan Wadi, Mumbai-400 002.

Tel : +91 22 4004 4800 (10 lines) • **Fax :** +91 22 2203 7578 • **E-mail :** info@janscopper.com

Factory : Plot No. 8,9,10, Supreme Industrial Estate, Bhimpore, Daman - 396210 (U.T.)

Tel : 0260 2220922 / 33 • **E-mail :** work@janscopper.com

www.janscopper.com / www.janscopper.net