



ISO 9001-2008
CERTIFIED COMPANY

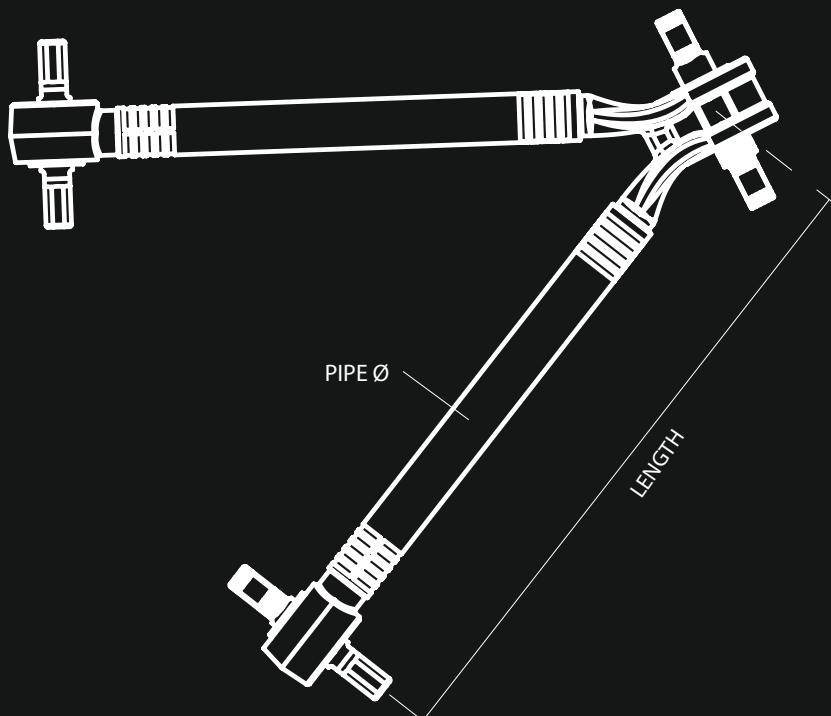
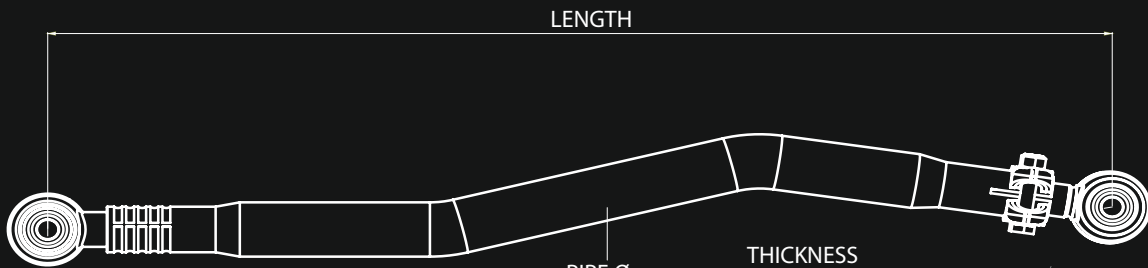
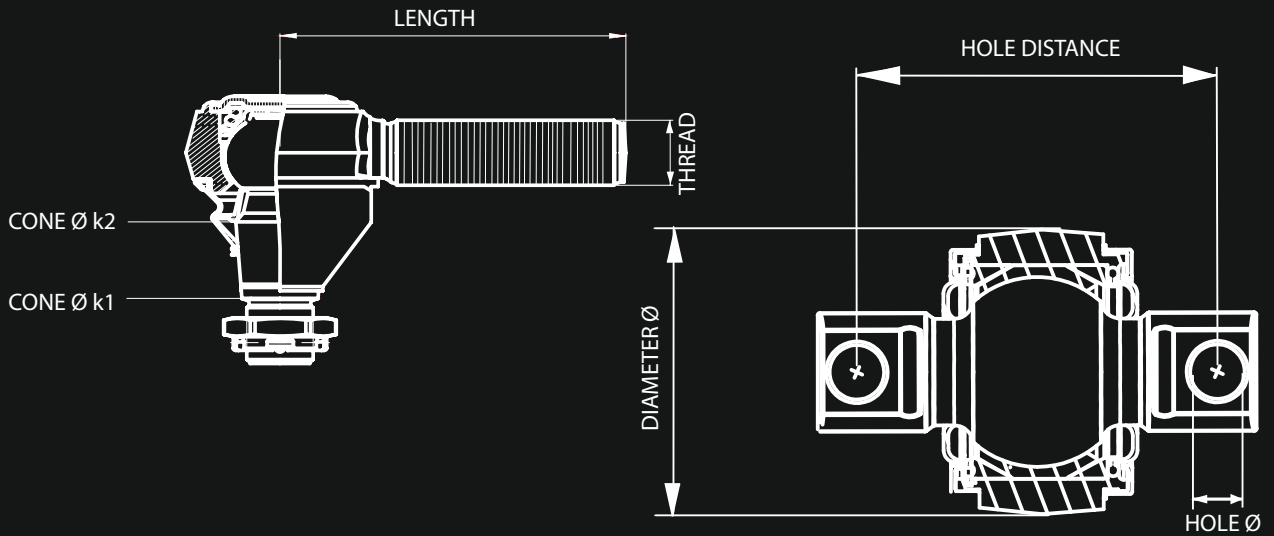
Heavy Duty Trucks

CATALOGUE 2017

Deals in:

**TIE ROD ENDS. BALL JOINTS. DRAGLINK ASSY, TIE ROD ASSY.
REPAIR KITS, FRONT STUB AXLES, PROPELLER SHAFT COMPONENTS,
WHEEL AXLE SHAFTS STEERING & HYDRAULIC SHAFTS**

MEASUREMENTS



INDEX

VOLVO 1-9

MERCEDES 10-28

SCANIA 29-32

DAF 33-35

IVECO 36-37

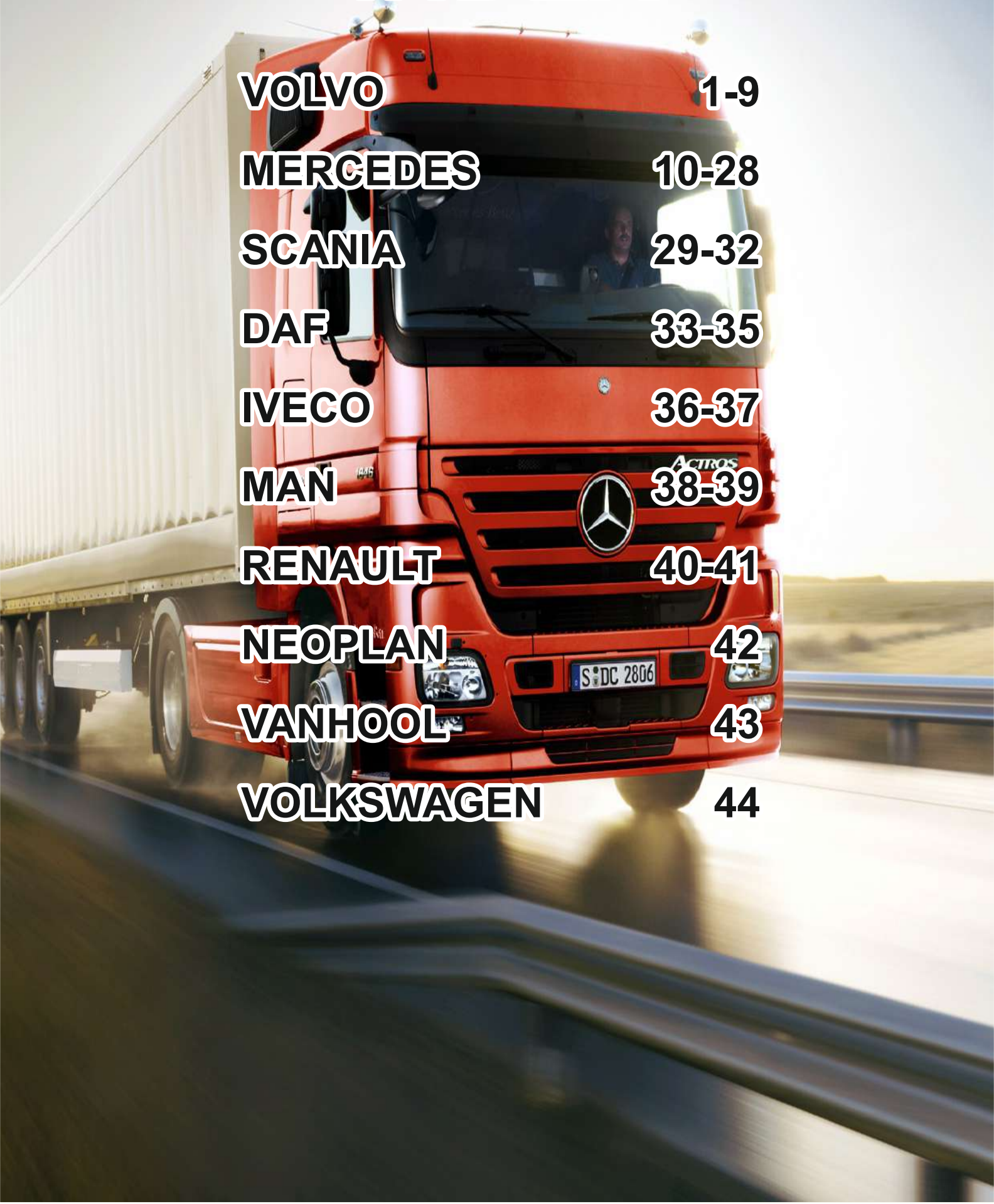
MAN 38-39

RENAULT 40-41

NEOPLAN 42

VANHOO 43

VOLKSWAGEN 44



VOLVO





S.I NO.	OEM NO.	DESCRIPTION	LENGHT mm	THREAD DMNS	THREAD SIDE
2010139	1696919	BALL JOINT K1 19.9 K2 22 1:10 M18X1.5	105	M24 x 1,5	RHT
VEHICLE MODEL FL 4, FL6, FLC					



S.I NO.	OEM NO.	DESCRIPTION	LENGHT mm	THREAD DMNS	THREAD SIDE
2010140	1696920	BALL JOINT K1 19.9 K2 22 1:10 M18X1.5	105	M24 x 1,5	LHT
VEHICLE MODEL FL4, FL6, FLC					



S.I NO.	OEM NO.	DESCRIPTION	LENGHT mm	THREAD DMNS	THREAD SIDE
2013131	1517439 1698190 1517279 1695511	BALL JOINT K1 19.9 K2 22 1:10 M18X1.5	105	M28 x 1,5	LHT
VEHICLE MODEL F 6 N10 B10					



S.I NO.	OEM NO.	DESCRIPTION	LENGHT mm	THREAD DMNS	THREAD SIDE
2013132	1517440 1517444 1698191	BALL JOINT K1 19.9 K2 22 1:10 M18X1.5	105	M28 x 1,5	RHT
VEHICLE MODEL F 6 FL 4					



S.I NO.	OEM NO.	DESCRIPTION	LENGHT mm	THREAD DMNS	THREAD SIDE
2013590	6027074 6853913	BALL JOINT K 12	85	M14 x 1,5	RHT
VEHICLE MODEL F4, F6, FL 4, FL 6					

S.I NO.	OEM NO.	DESCRIPTION	LENGHT mm	THREAD DMNS	THREAD SIDE
	1190778	BALL JOINT			
2053605	1517449	K1 18.1	95	M24 X 1.5	RHT
	1518142	K2 20			
		1:10			
		M16X1.5			0.660 KG
VEHICLE MODEL	F 4	F10, F12, FI7, FI10, B7, B9, B10, B12, B13			



S.I NO.	OEM NO.	DESCRIPTION	LENGHT mm	THREAD DMNS	THREAD SIDE
		BALL JOINT			
2053606	1517448	K1 18.1	95	M24 X 1.5	LHT
		K2 20			
		1:10			
		M16X1.5			0.660 KG



S.I NO.	OEM NO.	DESCRIPTION	LENGHT mm	THREAD DMNS	THREAD SIDE
	0356310	BALL JOINT			
2071522	1507826	K1 27.3	120	M30 x 1,5	RHT
	6882111	K2 31.5			
	1695585	1:8			
	1695776				
	1698557	M24X1.5			
VEHICLE MODEL	F 6, F 7, F 10, FL 10H, FL 12, FL 12H				



S.I NO.	OEM NO.	DESCRIPTION	LENGHT mm	THREAD DMNS	THREAD SIDE
	1505759	BALL JOINT			
2071523	1507823	K1 23.9	120	M30 x 1,5	RHT
	1698532	K2 28.6			
	1698846	1:6			
	366758				
	3092472	M20X1.5			
VEHICLE MODEL	F 7, F 10, F 12, F 16, FL 6, FL7, FL 10, FL 10H, FL 12, FL 12H				





S.I NO.	OEM NO.	DESCRIPTION	LENGHT mm	THREAD DMNS	THREAD SIDE
	1507822	BALL JOINT			
2071524	1698533	K1 23.9	120	M30 x 1,5	LHT
	1698847	K2 28.6			
	3092471	1:6			
	1505758				
	6884001	M20X1.5			
	366757				
VEHICLE MODEL F 7, F 10, F 12, F 16, FL 6, FL 7, FL 10, FL 10H, FL 12, FL 12H					



S.I NO.	OEM NO.	DESCRIPTION	LENGHT mm	THREAD DMNS	THREAD SIDE
	3090727	BALL JOINT			
2072024	3988965	K1 23.9	120	M30 x 1,5	RHT
	3110002	K2 28.6			
	3092472	1:6			
		M20X1.5			
VEHICLE MODEL F 12, F 16, FH 12, FH 16, FM 7, FM 12, FM 12H					



S.I NO.	OEM NO.	DESCRIPTION	LENGHT mm	THREAD DMNS	THREAD SIDE
	3090728	BALL JOINT			
2072025	3988968	K1 23.9	120	M30 x 1,5	LHT
		K2 28.6			
		1:6			
		M20X1.5			
VEHICLE MODEL FH 12, FH 16, FM 7, FM 12, FM 12H					



S.I NO.	OEM NO.	DESCRIPTION	LENGHT mm	THREAD DMNS	THREAD SIDE
	1698558	BALL JOINT			
2072161	1698840	K1 27.3	120	M30 x 1,5	LHT
	6869744	K2 31.5			
	6882112	1:8			
	1131744	M24X1.5			
	1313744				
VEHICLE MODEL FL 10, FL 10H, FL 12, FL 12H, FL 16					

S.I NO.	OEM NO.	DESCRIPTION	LENGHT mm	THREAD DMNS	THREAD SIDE
	1527234	BALL JOINT			
2072827	382745	K1 14.45	82	M28 x 1,5	RHT
	1668638	K2 16			
		1:10			
		M12X1.5			
VEHICLE MODEL F 7, F 10, F 12, F 16, FL 6, FL 7, FL 10, FL 12, FL 12H					



S.I NO.	OEM NO.	DESCRIPTION	LENGHT mm	VEHICLE MODEL
	1626493	BALL JOINT		
2011795	1588263	PIPE DIA 40MM	710	FA 6.5, FA 7.5, FA 8.0
	1606277	REF (SI-508)	680	
	11653			
				7.4 KG



S.I NO.	OEM NO.	DESCRIPTION	LENGHT mm	VEHICLE MODEL
	1075663	BALL JOINT		
2071794	3988704	PIPE DIA 52MM	830	FH 12, FH 16
	20393069	REF (SI-509)		
	17259			
				12.5 KG



S.I NO.	OEM NO.	DESCRIPTION	LENGHT mm	VEHICLE MODEL
2071796	1626751	DRAG LINK	820	F 10, F 12, F 16
	1610338	DIA 42MM		
	08244			
				7.97 kg



S.I NO.	OEM NO.	DESCRIPTION	LENGHT mm	VEHICLE MODEL
2071797	1606283	DRAG LINK	870	F 10, F 12, F 16
	1576092	DIA 42MM		
	03409			
				TRE
				8.1 kg



S.I NO.	OEM NO.	DESCRIPTION	LENGHT mm	VEHICLE MODEL
2071798	1606284	DRAG LINK	870	F 10, F 12, F 16
	1576093	DIA 42MM		
	18330			
				7.8 kg



S.I - 520

S.I NO.	OEM NO.	DESCRIPTION	LENGHT mm	VEHICLE MODEL
2071799	1592940	DRAG LINK DIA 50MM	823	FL 7, FL 10, FL 10H, FL 12, FL 12H
	85114145		755	SI-508
	11650			8.3 KG



S.I - 521

S.I NO.	OEM NO.	DESCRIPTION	LENGHT mm	VEHICLE MODEL
2071800	1080788	DRAG LINK		
	1608954	DIA 42MM	787	F 12,
	11652			
		SI-508		
				8 KG



S.I - 522

S.I NO.	OEM NO.	DESCRIPTION	LENGHT mm	VEHICLE MODEL
2071801	1080787	DRAG LINK		
	1608953	DIA 42 MM	820	F 12
	11651			
		SI-508		
				8 KG



S.I - 523

S.I NO.	OEM NO.	DESCRIPTION	LENGHT mm	VEHICLE MODEL
2071802	1075005	DRAG LINK	825	FH 12, FH 16
	10756	PIPE DIA 52MM	800	8.3 KG
				(SI-509)



S.I - 524

S.I NO.	OEM NO.	DESCRIPTION	LENGHT mm	VEHICLE MODEL
2072026	3124480	DRAG LINK		
	6777855	PIPE DIA 30MM	978	FL 6
	18411		930	3.8 KG
	6791948			
	20400909			TRE-(SI-501)



S.I - 525

S.I NO.	OEM NO.	DESCRIPTION	LENGHT mm	VEHICLE MODEL
2072027	1071344	DRAG LINK		
	3127737	PIPE DIA 48MM	871	FL 6
	20400944		L1830	
	23803	TRE-M30X1.5 RH 1697247 K2-26 NUT-M20X1.5		8.7 KG



S.I - 526

S.I NO.	OEM NO.	DESCRIPTION	LENGHT mm	VEHICLE MODEL
2072028	20393075	DRAG LINK		
	1629397	PIPE DIA 50MM	877	FL 814
			828	8.8 KG
				SI-509



S.I - 527

S.I NO.	OEM NO.	DESCRIPTION	LENGHT mm	VEHICLE MODEL
2072029	1588017	DRAG LINK		
	1505857	DIA 42MM	738	FA 6.5, FA 7.0
	1577080			SI-508
	85114142			
	15619			7.5 KG



S.I - 528

S.I NO.	OEM NO.	DESCRIPTION	LENGHT mm	VEHICLE MODEL
2073128	20393079	DRAG LINK		
	1628635	DIA 42MM	869	FH 12
	3 988 708		828	
	3 988 210			SI-509
	26817			8.4 KG



S.I - 529

S.I NO.	OEM NO.	DESCRIPTION	LENGHT mm	VEHICLE MODEL
		DRAG LINK		
2073594	1629668	K1 20	327	FH 12, FH 16
	20477805	K2 22		
		PIPE DIA 30MM		
	111515	1:10		2.175 KG
		M18X1.5MM		



S.I - 530

S.I NO.	OEM NO.	DESCRIPTION	LENGHT mm	VEHICLE MODEL
	1075664	DRAG LINK		
2073736	20393063	PIPE DIA 52MM	861	FH 12, FH 16, FL4, FM 12
	3988701		820	SI-509
	18412			
				9.1 KG



S.I - 531

S.I NO.	OEM NO.	DESCRIPTION	LENGHT mm	VEHICLE MODEL
	20443061	DRAG LINK		
	20443065	PIPE DIA 36MM	435	Fh12, Fh16, Fh6, Fm9, FM12
	20994418	k1 25.5		SI-509
	27130	k2 28.6		
				4.39 KG

MERCEDES





S.I NO.	OEM NO.	DESCRIPTION	LENGHT mm	THREAD DMNS	THREAD SIDE
	0003301235	BALL JOINT			
2010139	0003307535		105	M24X1.5	RHT
	0003309735				
	0003309935	K1 19.9			
	0003383429	K2 22.2			
	0003383529	1:10			
	03132	NUT-M18X1.5			
T/2LN1, VARIO					



S.I NO.	OEM NO.	DESCRIPTION	LENGHT mm	THREAD DMNS	THREAD SIDE
	0003301335	BALL JOINT			
2010140	0003309835		105	M24 x 1,5	LHT
	0003301235	K1 19.9			
	0013300035	K2 22.2		NUT	
	03135	1:10		M18X1.5	
T2/LN1 , VARIO					



S.I NO.	OEM NO.	DESCRIPTION	LENGHT mm	THREAD DMNS	THREAD SIDE
		BALL JOINT			
2011505	0013301835	K1 27.1	120	M38 x 1,5	RHT
		K2 30			
		1:10			
		M24X1.5			1.950 KG
NG, SK					



S.I NO.	OEM NO.	DESCRIPTION	LENGHT mm	THREAD DMNS	THREAD SIDE
	0004600348	BALL JOINT			
2010139	0004602848	K1 27.1	120	M30 x 1,5	RHT
	0004602948	K2 30			
	0014602248	NUT			
	02954	M24X1.5			
VEHICLE MODEL					



S.I NO.	OEM NO.	DESCRIPTION	LENGHT mm	THREAD DMNS	THREAD SIDE
	0004600648	BALL JOINT			
2011508	0004601248	K1 27.1	120	M30 x 1,5	LHT
	0004603448	K2 30			
	0004603548	NUT			
02953	0014601448	M24X1.5			
VEHICLE MODEL					
ACTROS 1996, ACTROS 2003, ATEGO I, ATEGO II, AXOR, ECONIC, LK/LN2, NG, 0 405, SK					

S.I NO.	OEM NO.	DESCRIPTION	LENGHT mm	THREAD DMNS	THREAD SIDE
	0003303335	BALL JOINT			
2013131	0003307235	K1 19.2	105	M28 x 1,5	LHT
	0003309435	K2 22.2			
	0003309635	1:10			
		NUT-M18X1.5			
VEHICLE MODEL LK/LN2, NG, T2/LN1					



S.I NO.	OEM NO.	DESCRIPTION	LENGHT mm	THREAD DMNS	THREAD SIDE
	0003301435	BALL JOINT			
2013132	0003301535	K1 19.2	105	M28 x 1,5	RHT
	0003309335	K2 22.2			
	0003309535	1:10			
		NUT-M18X1.5			
VEHICLE MODEL LK/LN2, NG, T2/LN1					



S.I NO.	OEM NO.	DESCRIPTION	LENGHT mm	THREAD DMNS	THREAD SIDE
	0002684689	BALL JOINT			
2013588	0002686289		55	M12 X 1.75	RHT
	3662680389	10/10.5			
		NUT 10X1.5			
VEHICLE MODEL					



S.I NO.	OEM NO.	DESCRIPTION	LENGHT mm	THREAD DMNS	THREAD SIDE
	0002684789	BALL JOINT			
2013589	0002686189		55	M12 X 1.75	LHT
	3662680489	10/10.5			
		NUT 10X1.5			
VEHICLE MODEL					



S.I NO.	OEM NO.	DESCRIPTION	LENGHT mm	THREAD DMNS	THREAD SIDE
	0002680181	BALL JOINT			
2013590	0002684889		85	M14 x 1,5	RHT
	0002685289				
VEHICLE MODEL					





S.I NO.	OEM NO.	DESCRIPTION	LENGHT mm	THREAD DMNS	THREAD SIDE
	0003300248	BALL JOINT			
2051526	0003303235		114	M30 x 1,5	RHT
	0003383410				
	0004608348	K1 23.5			
	0004633429	K2 26.2			
	0013300135	1:10			
	0013300235	M20X1.5			
VEHICLE MODEL		ACTROS 1996, ACTROS 2003, ATEGO I, ATEGO II, AXOR, LK/LN2, MK, LP, NG, O, SK			



S.I NO.	OEM NO.	DESCRIPTION	LENGHT mm	THREAD DMNS	THREAD SIDE
	0003300148	BALL JOINT			
2052071	0013308835		114	M30 x 1,5	LHT
	3023300035				
	3023300135	K1 23.5			
	3023300235	K2 26.2			
	3023300335	1:10			
	0014604048	M20X1.5			
VEHICLE MODEL		LK/LN2, MK, NG, O, SK			



S.I NO.	OEM NO.	DESCRIPTION	LENGHT mm	THREAD DMNS	THREAD SIDE
	0004607748	BALL JOINT			
2053125	0014602148		120	M24 x 1,5	RHT
		K1 27.1			
		K2 30.2			
		M24X1.5			1.6 KG
VEHICLE MODEL		0 404			



S.I NO.	OEM NO.	DESCRIPTION	LENGHT mm	THREAD DMNS	THREAD SIDE
	0004607848	BALL JOINT			
2053126	0014602048		120	M24 x 1,5	LHT
		K1 27.1			
		K2 30.2			
		M24X1.5			1.6 KG
VEHICLE MODEL		0 404			

MERCEDES



S.I NO.	OEM NO.	DESCRIPTION	LENGHT mm	THREAD DMNS	THREAD SIDE
2053127	0003330827	BALL JOINT K1 23.5 K2 26.2 1:10 M20X1.5	115	M24 x 1,5	RHT
VEHICLE MODEL 0 404					



S.I - 545

S.I NO.	OEM NO.	DESCRIPTION	LENGHT mm	THREAD DMNS	THREAD SIDE
2053605	0003300335 0003300635 0003308535 0003308735 0003382410 0004633229	BALL JOINT K1 18.1 K2 20 1:10 M16X1.5	95	M24 X 1.5	RHT
VEHICLE MODEL LK / LN2, LP, NG					



S.I - 546

S.I NO.	OEM NO.	DESCRIPTION	LENGHT mm	THREAD DMNS	THREAD SIDE
2053606	0003300235 0003300735 0003306835 0003308635 0003308835	BALL JOINT K1 18.1 K2 20 1:10 M16X1.5	95	M24 X 1.5	LHT
VEHICLE MODEL G SERIES, LK/LN2, LP, NG					



S.I - 547

S.I NO.	OEM NO.	DESCRIPTION	LENGHT mm	THREAD DMNS	THREAD SIDE
NEW	0003301135	BALL JOINT K1 16.3 K2 18 M18X1.5	95	M24 x 1,5	RHT
					0.67 KG
VEHICLE MODEL T2/LN1, VARIO					



S.I - 548



S.I NO.	OEM NO.	DESCRIPTION	LENGHT mm	THREAD DMNS	THREAD SIDE
	0003301035	BALL JOINT			
1062572	0003381610	K1 16.3	95	M24 x 1,5	RHT
	0013301235	K2 18			
	0013301435	1:10			
		M14X1.5			0.600 KG
VEHICLE MODEL T2/LN1, VARIO					



S.I NO.	OEM NO.	DESCRIPTION	LENGHT mm	THREAD DMNS	THREAD SIDE
		BALL JOINT			
2011505	0003302435	K1 18.5	160	M24 x 1,5	RHT
		K2 20.1			
		M14X1.5			0.900 KG
VEHICLE MODEL 0 309, T2/L					



S.I NO.	OEM NO.	DESCRIPTION	LENGHT mm	THREAD DMNS	THREAD SIDE
	0003302635	BALL JOINT			
1062486	0003306935	K1 18	160	M24 x 1,5	LHT
	0013300835	K2 20			
	0013301035	1:10			
		M14X1.5			0.900 KG
VEHICLE MODEL 0 309, T2/L					



S.I NO.	OEM NO.	DESCRIPTION	LENGHT mm	THREAD DMNS	THREAD SIDE
	0003303135	BALL JOINT			
2053684	0003308135	K1 20	115	M30 x 1,5	RHT
	0013300335	K2 22			
	0013300435	1:10			
		M18X1.5			
VEHICLE MODEL LK/LN2, LP, NG					

S.I NO.	OEM NO.	DESCRIPTION	LENGHT mm	THREAD DMNS	THREAD SIDE
	0003305035	BALL JOINT			
1062300	0004602148	K1 16.3	95	M22 x 1,5	RHT
	0004604148	K2 18			
	0004604548				
	0004608548	M14X1.5			
	3103300435				
	3103300835				
	3103301335				
					0.600 KG
VEHICLE MODEL NG, 0 302, SK, T1, T1/TN, T2/L					



S.I - 553

S.I NO.	OEM NO.	DESCRIPTION	LENGHT mm	THREAD DMNS	THREAD SIDE
	6013300535	BALL JOINT			
1062314	6013300735	K1 16.3	95	M20 x 1,5	LHT
	6013305235	K2 18			
		1:10			
		M14X1.5			0.500 KG
VEHICLE MODEL T1, T1/TN, T2/LN1, VARIO, G SERIES					



S.I - 554

S.I NO.	OEM NO.	DESCRIPTION	LENGHT mm	THREAD DMNS	THREAD SIDE
	6013300435	BALL JOINT			
1062313	6013300635	K1 16.3	95	M20 x 1,5	RHT
	6013305335	K2 18			
		1:10			
		M14X1.5			0.500 KG
VEHICLE MODEL T1, T1/TN, T2/LN1, VARIO, G SERIES					



S.I - 555

S.I NO.	OEM NO.	DESCRIPTION	LENGHT mm	THREAD DMNS	THREAD SIDE
	6023300035	BALL JOINT			
1060173	6023305425	K1 16.3	115	M24 x 1,5	LHT
	6023305735	K2 18			
	6023305935	1:10			
		M14X1.5			0.700 KG
VEHICLE MODEL T1					



S.I - 556

MERCEDES



S.I - 557

S.I NO.	OEM NO.	DESCRIPTION	LENGHT mm	THREAD DMNS	THREAD SIDE
	6023300135	BALL JOINT			
1060172	6023305535	K1 16.3	115	M24 x 1,5	RHT
	6023305835	K2 18			
	6023306035	1:10			
		M14X1.5			0.700 KG
VEHICLE MODEL T1					



S.I - 558

S.I NO.	OEM NO.	DESCRIPTION	LENGHT mm	THREAD DMNS	THREAD SIDE
	0004604248	BALL JOINT	245	M22 x 1,5	LHT
1062684	0004604648	K1 16.3			
	0004608648	K2 18			
	0004608748	1:10			
		M14X1.5			1.100 KG
VEHICLE MODEL T1, T1/TN					



S.I - 559

S.I NO.	OEM NO.	DESCRIPTION	LENGHT mm	THREAD DMNS	THREAD SIDE
	0004600148	BALL JOINT			
2053729	0004602648		120	M30 x 1,5	RHT
	0004602748	K1 23.5			
		K2 26.2			
		M20X1.5			1.7 KG
VEHICLE MODEL NG, SK					



S.I - 560

S.I NO.	OEM NO.	DESCRIPTION	LENGHT mm	THREAD DMNS	THREAD SIDE
	0004605748	BALL JOINT			
2053727	0004606048		120	M30 x 1,5	RHT
	0004606848				
	0004607048	K1 28.9			
	0014601148	K2 32.0			
	0014601748	1:10			
	0014607648	NUT			
		M27X1.5			1.750 KG
VEHICLE MODEL ACTROS 1996, ACTROS 2003, ATEGO II, AXOR, ECONIC, MK, NG, SK					



S.I - 561

S.I NO.	OEM NO.	DESCRIPTION	LENGHT mm	THREAD DMNS	THREAD SIDE
	0004605848	BALL JOINT			
2053735	0004606148		120	M30 X 1.5	LHT
	0004606948	K1 28.9			
	0004607148	K2 32.0			
	0014600548	1:10			
	0014601348	NUT			
		M27X1.5			1.750 KG
VEHICLE MODEL ACTROS 1996, ACTROS 2003, ATEGO II, AXOR, ECONIC, MK, NG, SK					

MERCEDES



S.I NO.	OEM NO.	DESCRIPTION	LENGHT mm	THREAD DMNS	THREAD SIDE
1062285	6313380310	BALL JOINT K1 16.3 K2 18	95	M18 x 1,5	RHT
		M14X1.5			
VEHICLE MODEL 100					



S.I NO.	OEM NO.	DESCRIPTION	LENGHT mm	THREAD DMNS	THREAD SIDE
1062287	6313380410	BALL JOINT K1 16.3 K2 18	95	M18 x 1,5	LHT
		M14X1.5			
VEHICLE MODEL 100					



S.I NO.	OEM NO.	DESCRIPTION	LENGHT mm	THREAD DMNS	THREAD SIDE
1062571	6313300535	BALL JOINT K1 19.9 K2 22 1:10 M18X1.5	105	M24 x 1,5	RHT
VEHICLE MODEL 100					



S.I NO.	OEM NO.	DESCRIPTION	LENGHT mm	THREAD DMNS	THREAD SIDE
1062277	6384600048	BALL JOINT K 16.97		M16 x 1,5	RHT
		M14X1.5			0.400 KG
VEHICLE MODEL VITO, V SERIES					



S.I NO.	OEM NO.	DESCRIPTION	LENGHT mm	THREAD DMNS	THREAD SIDE
1262273	9014600148 9014600348	BALL JOINT K1 18 K2 20	80	M16 x 1,5	
					0.425 KG
VEHICLE MODEL SPRINTER 2T/3T/4T					





S.I - 567

S.I NO.	OEM NO.	DESCRIPTION	LENGHT mm	THREAD DMNS	THREAD SIDE
	0003200028	BALL JOINT			
1062350	0003200128	K1 20.3		M16X1.5	
	6083200028				
	6083200128				
	6313200028				
	6313200228				
					0.71 KG
VEHICLE MODEL 100, HENSCHEL 2T, O 100, T1					



S.I - 568

S.I NO.	OEM NO.	DESCRIPTION	LENGHT mm	THREAD DMNS	THREAD SIDE
	9013330627	BALL JOINT			
1062316	9013330727	K1 23.4		M20 x 1,5	RH
	9013331127	K2 26			
		1:10			
					0.750 KG
VEHICLE MODEL SPRINTER 2T/3T/4T					



S.I - 569

S.I NO.	OEM NO.	DESCRIPTION	LENGHT mm	THREAD DMNS	THREAD SIDE
	0003305635	BALL JOINT			
2053709	0003381810	K 20	105	M24 x 1,5	RHT
	0004604348				
	0004605648				
	3103300635				
	3013301035				
	3013301235	M16X1.5			
					0.800 KG
VEHICLE MODEL 0 309, T2/L, UNIMOG					



S.I - 570

S.I NO.	OEM NO.	DESCRIPTION	LENGHT mm	VEHICLE MODEL
	3874603305	DRAG LINK		
2051787	3874601405	DIA 40MM	865	MK, NG, SK
	3874603205			
	6474600105	K2 30MM		
	3874600705			
	6474600005	M30X1.5 RHT		
				7.5 KG



S.I - 571

S.I NO.	OEM NO.	DESCRIPTION	LENGHT mm	VEHICLE MODEL
2051788	6204603705	BALL JOINT		
	6204600005	DIA 40MM	885	NG, SK
	6204602005			
	6204602805	K2 30MM		
	3874600405	TRE M30X1.5 RHT		
	3874605005	NUT M24X1.5		7.5 KG



S.I - 572

S.I NO.	OEM NO.	DESCRIPTION	LENGHT mm	VEHICLE MODEL
2051789	6754602205	BALL JOINT		
	6754601005	DIA 40MM	780	LK/LN2
	6754601605	K1 26MM/K2 22MM		
	6754602805	M30X1.5		
		M20X1.5		6.24 KG



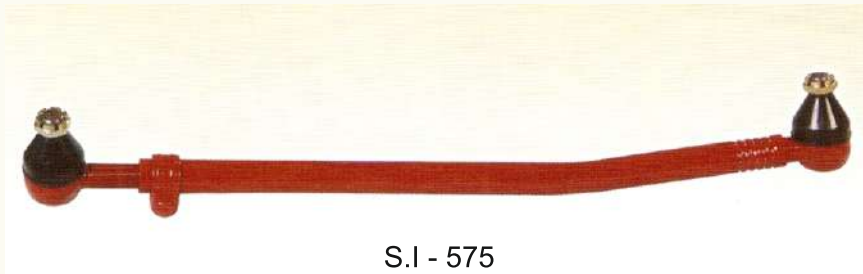
S.I - 573

S.I NO.	OEM NO.	DESCRIPTION	LENGHT mm	VEHICLE MODEL
2051790	6764601105	DRAG LINK		
	6764600105	DIA 40MM	780	LK/LN2
	6764600605	K1 26MM/K2 22MM		
	6764601505	M30X1.5		
		M20X1.5		6.520 KG



S.I - 574

S.I NO.	OEM NO.	DESCRIPTION	LENGHT mm	VEHICLE MODEL
	6754603005	DRAG LINK		
2051791	6754602405	DIA 40MM	727	LK/LN2
	6754603305	K1 26MM/K2 22MM		
	6754601205	M30X1.5		
	6754601805	M20X1.5		5.7 KG



S.I - 575

S.I NO.	OEM NO.	DESCRIPTION	LENGHT mm	VEHICLE MODEL
	6194601105	DRAG LINK		
2051792	6194605205	DIA 42MM	877	1520, 1625, 1625 S,
	6194602205	K2 30MM		1625 L, 1625 LS
	6194604805	M30X1.5		
		M24X1.5		8.28 KG



S.I - 576

S.I NO.	OEM NO.	DESCRIPTION	LENGHT mm	VEHICLE MODEL
	3834604405	DRAG LINK		
2051793	3834601405	DIA 40 MM	890	LK/LN2, NG
	3834602305	K1 23.5/K2 26.2MM		
	3834600605	M30X1.5 RHT TRE		
		M20X1.5 NUT		9 KG



S.I NO.	OEM NO.	DESCRIPTION	LENGHT mm	VEHICLE MODEL
	3164600605	DRAG LINK		
2053607	3164600705	DIA 36 MM	327	FH 12, FH 16
	3164600805	K1 19.9/K2 22.2MM		
	3164600905	M30X1.5 RHT TRE		
		M18X1.5 NUT		3.7 KG



S.I NO.	OEM NO.	DESCRIPTION	LENGHT mm	VEHICLE MODEL
	3464600005	DRAG LINK		
2053608	3464600105	DIA 40 MM	770	100
	3464605005	K1 23.5/K2 26MM		
		M30X1.5 TRE		
		M20X1.5 NUT		6.4 KG



S.I NO.	OEM NO.	DESCRIPTION	LENGHT mm	VEHICLE MODEL
	3434600405	DRAG LINK		
2053609	3434600805	DIA 40 MM	760	MK
	3434601005	K1 27.1/K2 30.2MM	710	
	3434601205	M30X1.5 TRE		
	3434601405	M20X1.5 NUT		
	3434601505			6.75 KG



S.I - 580

S.I NO.	OEM NO.	DESCRIPTION	LENGHT mm	VEHICLE MODEL
		DRAG LINK		
1063685	9014600205	DIA 25 MM	460MM	SPRINTER 2T/3T/4T
		K 20MM		
		M16X1.5		SI-566
				1.3 KG



S.I - 581

S.I NO.	OEM NO.	DESCRIPTION	LENGHT mm	VEHICLE MODEL
	6734600205	DRAG LINK		
NEW	6734600405	DIA 36 MM	725	LK/LN2
	6734600605	K1 19.9/K2 22MM	680	
	6734600805	M30X1.5 RHT		SI-552
		M18X1.5		4.23 KG



S.I - 582

S.I NO.	OEM NO.	DESCRIPTION	LENGHT mm	VEHICLE MODEL
	6384600005	DRAG LINK	360 MM	M16X1.5
1063682	6384600205			SI-565
		K 16.97MM		
		M16X1.5 TRE		
		M14X1.5 NUT		1.190 KG



S.I - 583

S.I NO.	OEM NO.	DESCRIPTION	LENGHT mm	VEHICLE MODEL
	6014600505	BALL JOINT		
1062506	6014600605	DIA 26MM	470	T1, T1/TN
	6014600705			
	6014600805	K1 16.2		
	6014600905	K2 18.2		
	6014601005			
	6014601105			
	6014601205	M22X1.5		
	6014601305	M14X1.5 NUT		2.5 KG
	6014601505			



S.I - 584

S.I NO.	OEM NO.	DESCRIPTION	LENGHT mm	VEHICLE MODEL
	6023300903	DRAG LINK		
1062594	6023301003	DIA 30MM	1356	T1
	6023305303	K1 16.3/K2 18MM		SI-556 & SI-557
	6023305403	M24X1.5 TRE		
		M14X1.5 NUT		4.5 KG



S.I - 585

S.I NO.	OEM NO.	DESCRIPTION	LENGHT mm	VEHICLE MODEL
	3094600305	BALL JOINT		
1062299	3094600405	DIA 26MM	486	T1, T2/L
	3094600505	K1 16.3MM		
	3094600805	K2 18MM		
	3094600905			
	3094601005			
	3094601105			
	3094601205	M14X1.5		
	3094601305			
	3094601405			
	3094602005			
	3094602205			
	3094602305			
	3094602405			
	3094602505			
	3094602605			
	3094602905			
	3094603005			
	3094603105			
	3094603205			
	6014600005			
	6014600105			
	6014600205			
	6014600305			2.00 KG



S.I - 586

S.I NO.	OEM NO.	DESCRIPTION	LENGHT mm	VEHICLE MODEL
	6023300003	DRAG LINK		
1062689	6023300103	DIA 32MM	1356	T1, T1/TN
	6023300303	K1 16.3MM/K2 18MM		
	6023300403	M20X1.5		
	6023305503	M14X1.5		5.2 KG



S.I - 587

S.I NO.	OEM NO.	DESCRIPTION	LENGHT mm	VEHICLE MODEL
		DRAG LINK		
2010139			1476	0 309, T2/TL



S.I - 588

S.I NO.	OEM NO.	DESCRIPTION	LENGHT mm	VEHICLE MODEL
	3524602305	DRAG LINK		
2053724	3524603105	DIA 36MM	625	
	3524603205	K1 19.9MM		
	3524604805	K2 22MM		
	3524604905	M30X1.5 RH TRE		
	3524605605	M18X1.5 NUT		3.9 KG



S.I - 589

S.I NO.	OEM NO.	DESCRIPTION	LENGHT mm	VEHICLE MODEL
	3004600605	DRAG LINK		
2053722	3004600705	DIA 36MM	975	O 303, O 305, O 307
	3004600305	K1 23.5MM/K2 26MM		
		M30X1.5		
		M20X1.5		5.3 KG



S.I - 590

S.I NO.	OEM NO.	DESCRIPTION	LENGHT mm	VEHICLE MODEL
	6174603505	DRAG LINK		
1062689	6174603605	DIA 42MM	828	T2/LN1
		K1 27.1MM/K2 30MM		
		M30X1.5		
		M24X1.5		8.2 KG



S.I - 591

S.I NO.	OEM NO.	DESCRIPTION	LENGHT mm	VEHICLE MODEL
	6174603505	DRAG LINK		
1062689	6174603605	DIA 40MM	870	
		K1 27.1MM/K2 30MM		
		M30X1.5 RH		
		M24X1.5		8.1 KG



S.I NO.	OEM NO.	DESCRIPTION	LENGHT mm	VEHICLE MODEL
2053708	3134600105	DRAG LINK	490	O 309, T2/L
	3134600005	DIA 28MM		
		K1 18.1MM/K2 20.2MM		
		M24X1.5		
		M16X1.5		2.4 KG



S.I NO.	OEM NO.	DESCRIPTION	LENGHT mm	VEHICLE MODEL
2053714	6763300803	DRAG LINK	1456	LK/LN2, O 301, O 402
	6763301003	DIA 40MM		
		K1 23.5MM/K2 26MM		
		M20X1.5		
				8.2 KG



S.I NO.	OEM NO.	DESCRIPTION	LENGHT mm	VEHICLE MODEL
2053728	6174600005	DRAG LINK	870	NG
	6174600205	DIA 42MM		
	6174602805	K1 23.5MM/K2 26MM		
		M30X1.5		
		M20X1.5		7.7 KG



S.I - 595

S.I NO.	OEM NO.	DESCRIPTION	LENGHT mm	VEHICLE MODEL
2053712	0004607105	DRAG LINK		ACTROS 1996,
	0004607205	DIA 42MM	879	ACTROS 2003,
	0014606705	K1 27.1MM/K2 30.2MM	815	ATEGO II, AXOR,
		M30X1.5 RH		ECONIC
		M24X1.5	(SI-533)	8.1 KG



S.I - 596

S.I NO.	OEM NO.	DESCRIPTION	LENGHT mm	VEHICLE MODEL
2053726	0014602905	DRAG LINK		
	0014603005	DIA 52MM	840	MK, SK
		K1 28.9MM/K2 32MM		
		TRE M30X1.5 RH		SI-559
		NUT M27X1.5		9.4 KG

SCANIA





S.I NO.	OEM NO.	DESCRIPTION	LENGHT mm	THREAD DMNS	THREAD SIDE
		BALL JOINT			
2011505	04688948	K1 27MM	120	M38 x 1,5	RHT
	15616	K2 30MM			
		1:10			
		NUT M24X1.5			2.20 KG
VEHICLE MODEL 114 G, 114 L, 124 G, 124L, 144 L					



S.I NO.	OEM NO.	DESCRIPTION	LENGHT mm	THREAD DMNS	THREAD SIDE
		BALL JOINT			
2011507	1358793	K1 27MM	120	M30 x 1,5	RHT
	283784	K2 30MM			
	395010	1:10			
		M24X1.5			
VEHICLE MODEL 93 H/M, 112 H/M, 113 E/H/M, 114 C/G/L, 124 C/G/L, 143 E/H/M, 144 C/G/L, T 93 H, T 113 E/H, T 143 E/H					



S.I NO.	OEM NO.	DESCRIPTION	LENGHT mm	THREAD DMNS	THREAD SIDE
		BALL JOINT			
2011508	1358792	K1 27MM	120	M30 x 1,5	LHT
	283783	K2 30MM			
	395009	1:10			
		M24X1.5			
VEHICLE MODEL 93 H/M, 112 H/M, 113 E/H/M, 114 C/G/L, 124 C/G/L, 143 E/H/M, 144 C/G/L, T 93 H, T 113 E/H, T 143 E/H					



S.I NO.	OEM NO.	DESCRIPTION	LENGHT mm	THREAD DMNS	THREAD SIDE
		BALL JOINT			
2013588	1384898		55	M12 x 1.75	RHT
	305320				
	371452				
		M10X1.5			0.109 KG
VEHICLE MODEL 93 H/M, 112 H/M, 113 E/H/M, 143 E/H/M, T93 H, T113 E/H, T143/H					



S.I NO.	OEM NO.	DESCRIPTION	LENGHT mm	THREAD DMNS	THREAD SIDE
		BALL JOINT			
2013589	1384897		55	M12 x 1.75	RHT
	305319				
	371451				
		M10X1.5			0.109 KG
VEHICLE MODEL 93 H/M, 112 H/M, 113 E/H/M, 143 E/H/M, T93 H, T113 E/H, T143/H					



S.I NO.	OEM NO.	DESCRIPTION	LENGHT mm	VEHICLE MODEL
2091803	278665	DRAG LINK		93 H/M, 113 E/H/M,
	278666		947	143 E/H/M
	08252	PIPE DIA 48MM SI-598	890	M30X1.5 RHT 20, 30
				9.015 KG



S.I NO.	OEM NO.	DESCRIPTION	LENGHT mm	VEHICLE MODEL
2091804	291395	DRAG LINK		LB / S / T11
	291396	PIPE DIA 40MM	728	LB / S / T141
	18729	SI-598	675	M30X1.5 RH 27, 30
				6.7 KG



S.I NO.	OEM NO.	DESCRIPTION	LENGHT mm	VEHICLE MODEL
2091805	352635	DRAG LINK		93 H/M, 113 E/H/M,
	278663	DIA 48MM	947	143 E/H/M
	278664	SI-598		
	06082			
				9.00 KG



S.I - 605

S.I NO.	OEM NO.	DESCRIPTION	LENGHT mm	VEHICLE MODEL
		DRAG LINK		
2091806	390784	DIA 42MM	845	113 E/H/M, 143 E/H
	09159	SI-598	810	
				8.1 KG



S.I - 606

S.I NO.	OEM NO.	DESCRIPTION	LENGHT mm	VEHICLE MODEL
		DRAG LINK		
2091807	1304571	DIA 50MM	915	G 93, P 93, R 93, P 93AU, P 93HK
	381339	SI-598	870	
	07975			
				9.6 KG



S.I - 607

S.I NO.	OEM NO.	DESCRIPTION	LENGHT mm	VEHICLE MODEL
		DRAG LINK		
209808	306981	DIA 48MM	935	93 H/M, 113 E/H/M, 143 E/H/M
	09868	SI-598	882	
				9.00 KG



S.I - 608

S.I NO.	OEM NO.	DESCRIPTION	LENGHT mm	VEHICLE MODEL
2091809	1384025	DRAG LINK		114 C/G/L, 124 C/G/L,
	1379071	DIA 52MM	1059	144 C/G/L
	1768898	SI-598	1006	
	1847311			
	1912757			
	1356055			
	172858			11.4 KG



S.I - 609

S.I NO.	OEM NO.	DESCRIPTION	LENGHT mm	VEHICLE MODEL
2091810	291398	DRAG LINK		
	21728	DIA 48MM	761	112 H/M
		SI-598		
				7.5 KG

DAF





SI-2501	DAF
Tie Rod End	
Application:	65CF, 75CF, F1200, F1300, F1400, F1500, F1600, F1700, F1900, LEYLAND FREIGHTER, DAF BUS: SB210/ 2300/ 2305/ 3000
OE Ref:	0586753, 0607999, 0694298, 0694360, 0698609, 1229944, 1326896, 1331925, MAK1296, ACHF242, 1137230, ACHB064
Dimensions:	Length: 120 Cones Ø: k2 26.0 k1 23.5 Taper: 1/10 Thread: M30x1.5 RHT



SI-2502	DAF
Tie Rod End	
Application:	65CF, 75CF, F1200, F1300, F1400, F1500, F1600, F1700, F1900, LEYLAND FREIGHTER, DAF BUS: SB210/ 2300/ 2305/ 3000
OE Ref:	0607998, 1319838, 1338714, 0311300, 1315447, MAK1295, ACHF241
Dimensions:	Length: 120 Cones Ø: k2 26.0 k1 23.5 Taper: 1/10 Thread: M30x1.5 LHT



SI-2503	DAF
Tie Rod End	
Application:	45, 55, 65, 75, 85, 95, F500, F600, F700, F800, F900, F1000, F1100, F1200, F1300, F1400, F1500, F1600, F1700, F1900, F2000, F2100, F2200, F2300, F2500, F2600, F2700, F2800, F2900, F3200, F3300, F3600, ROAD RUNNER, LEYLAND TIGER
OE Ref:	0110197, 0607451, 0607453, 1228114, ACU9242
Dimensions:	Length: 101 Cones Ø: k2 22.0 k1 20.0 Taper: 1/10 Thread: M28x1.5 RHT



SI-2504	DAF
Tie Rod End	
Application:	45, 55, 65, 75, 85, 95, F500, F600, F700, F800, F900, F1000, F1100, F1200, F1300, F1400, F1500, F1600, F1700, F1900, F2000, F2100, F2200, F2300, F2500, F2600, F2700, F2800, F2900, F3200, F3300, F3600, ROAD RUNNER, LEYLAND TIGER
OE Ref:	0607452, 0110196, ACU9241, 1373137
Dimensions:	Length: 101 Cones Ø: k2 22.0 k1 20.0 Taper: 1/10 Thread: M28x1.5 LHT

SI-2505	DAF
Tie Rod End	
Application:	95, 95XF
OE Ref:	0608530
Dimensions:	Length: 95 Cones Ø: k2 20.0 k1 18.0 Taper: 1/10 Thread: M24x1.5 RHT



SI-2506	DAF
Tie Rod End	
Application:	LF45
OE Ref:	1604248
Dimensions:	Length: 148 Cones Ø: k2 26.0 k1 23.5 Taper: 1/10 Thread: M28x1.5 RHT



SI-2507	DAF
Tie Rod End	
Application:	LF45
OE Ref:	1604247
Dimensions:	Length: 148 Cones Ø: k2 26.0 k1 23.5 Taper: 1/10 Thread: M28x1.5 LHT



SI-2508	DAF
Tie Rod End	
Application:	65, 65CF, 75, 75CF, 85, 85CF, 95, 95XF, F1600, F1700, F1900, F2000, F2100, DAF BUS: MB230, SB2300/2700/3000
OE Ref:	0607981, 0698450, 1257890, 1603789
Dimensions:	Length: 125 Cones Ø: k2 30.0 k1 27.0 Taper: 1/10 Thread: M30x1.5 RHT



SI-2509	DAF
Tie Rod End	
Application:	65, 65CF, 75, 75CF, 85, 85CF, 95, 95XF, F1600, F1700, F1900, F2000, F2100, DAF BUS: MB230, SB2300/2700/3000
OE Ref:	0607053, 0696225, 1228115, 690225
Dimensions:	Length: 125 Cones Ø: k2 30.0 k1 27.0 Taper: 1/10 Thread: M30x1.5 LHT



SI-2551	BOVA
Tie Rod End	
Application:	Futura, Europa
OE Ref:	510053, 264074, 229872, 607981
Dimensions:	Length: 125 Cones Ø: k2 30.0 k1 27.0 Taper: 1/10 Thread: M30x1.5 RHT



SI-2552	BOVA
Tie Rod End	
Application:	Futura, Europa
OE Ref:	264072, 510052
Dimensions:	Length: 125 Cones Ø: k2 30.0 k1 27.0 Taper: 1/10 Thread: M30x1.5 LHT



IVECO



SI-2601	IVECO
Tie Rod End	
Application:	MK 110/ 130, ZETA, EURO CARGO, P/PA
OE Ref:	42493782, 2984511, 4833828, 2980129, 4833821, 8122755
Dimensions:	Length: 120 Cones Ø: k2 26.0 kl 23.5 Taper: 1/10 Thread: M30x1.5 LHT



SI-2602	IVECO
Tie Rod End	
Application:	MK 80 / 90, P/PA 160 / 190, ZETA 50 / 60 / 65 / 79 / A
OE Ref:	2966321, 2966635, 4833825, 8193645, 8558533, 8582322, 42484886
Dimensions:	Length: 101 Cones Ø: k2 22.0 kl 20.0 Taper: 1/10 Thread: M28x1.5 RHT



SI-2603	IVECO
Tie Rod End	
Application:	MK 80 / 90, P/PA 160 / 190, ZETA 50 / 60 / 65 / 79 / A
OE Ref:	2969507, 42484887, 4833826, 8123394, 8193646, 8558536
Dimensions:	Length: 101 Cones Ø: k2 22.0 kl 20.0 Taper: 1/10 Thread: M28x1.5 LHT



SI-2604	IVECO
Tie Rod End	
Application:	70M6 FL, 75-9A, 90M6 FL / FK
OE Ref:	42480024, 42491937
Dimensions:	Length: 95 Cones Ø: k2 20.0 kl 18.0 Taper: 1/10 Thread: M24x1.5 RHT



SI-2605	IVECO
Tie Rod End	
Application:	M165, M175, P/PA, TURBOSTAR, TURBOTECH, EURO CARGO, EUROSTAR, EUROTECH, EUROTRAKKER, STRALIS
OE Ref:	2966252, 2969808, 42483386, 42488269, 42489573, 42489594, 42491638, 4802443, 4833829, 8122752, 42537936
Dimensions:	Length: 125 Cones Ø: k2 30.0 kl 27.0 Taper: 1/10 Thread: M30x1.5 RHT





SI-2606	IVECO
Tie Rod End	
Application:	M165, M175, P/PA, TURBOSTAR, TURBOTECH, EUROCARGO, EUROSTAR, EUROTECH, EUROTRAKKER, STRALIS
OE Ref:	2984061, 42489395, 42491957, 4802444, 4833830, 8190225
Dimensions:	Length: 125 Cones Ø: k2 30.0 k1 27.0 Taper: 1/10 Thread: M30x1.5 LHT




SI-2607	IVECO
Tie Rod End	
Application:	MK110/ 130, ZETA, EUROCARGO, P/PA
OE Ref:	2980323, 42483520, 42493781, 004833827, 2966688, 42485718, 4833820, 4833827, 8122754, 3096213
Dimensions:	Length: 120 Cones Ø: k2 26.0 k1 23.5 Taper: 1/10 Thread: M30x1.5 RHT



SI-2608	IVECO
Tie Rod End	
Application:	70M6 FL, 75-9A, 90M6 FL / FK
OE Ref:	42480023, 8193649, 42532543
Dimensions:	Length: 95 Cones Ø: k2 20.0 k1 18.0 Taper: 1/10 Thread: M24x1.5 LHT



SI-2607	IVECO
Centre Rod Assembly (Tie Rod End: TTE2010)	
	
Application:	Eurocargo
OE Ref:	98467459, 98402544
Dimensions:	Length: 822 Pipe Ø: 40 Cones Ø: k2 26.0 k1 23.5 Taper: 1/10 Thread: M30x1.5

MAN



SI-2701	MAN
Tie Rod End	
Application:	F90, F2000, M90, M2000L/M, E2000, L2000, TGA, TGS, TGX, LION'S STAR, LION'S COACH, NG, NÜ, NM, NL, R, SD, SG, SL, SR, SÜ, ÜL, EL, EM
OE Ref:	81953010016, 81953010084, 81953016048, 81953016049, 81953016053, 81953016090, 81953016108, 81953016112, 81953016126, 81953016143, 81953016149, 81953016154, 81953016156, 81953016178, 81953016194, 81953016224, 81953016234, 81953016274, 81953016278, 81953016308, 81953016350, 81953016206, 81953016352, 81953016312, 81953010088
Dimensions:	Length: 125 Cones Ø: k2 30.0 k1 27.0 Taper: 1/10 Thread: M30x1.5 RHT



SI-2702	MAN
Tie Rod End	
Application:	F90, F2000, M90, M2000L/M, E2000, L2000, TGA, TGS, TGX, LION'S STAR, LION'S COACH, NG, NÜ, NM, NL, R, SD, SG, SL, SR, SÜ, ÜL, EL, EM
OE Ref:	81953010015, 81953010083, 81953016030, 81953016043, 81953016050, 81953016054, 81953016087, 81953016091, 81953016107, 81953016120, 81953016125, 81953016152, 81953016155, 81953016157, 81953016168, 81953016179, 81953016223, 81953016237, 81953016279, 81953016044, 81953016275, 81953016181, 81953016254, 81953016029, 81953010087
Dimensions:	Length: 125 Cones Ø: k2 30.0 k1 27.0 Taper: 1/10 Thread: M30x1.5 LHT



SI-2703	MAN
Tie Rod End	
Application:	F2000, L2000, M90, M2000 L/M, G, G90, TGL, TGM
OE Ref:	81953010014, 81953010064, 81953016067, 81953016162, 81953016239, 90804153111, 81953016360, 82953016014, 81953010068, 81953010042
Dimensions:	Length: 120 Cones Ø: k2 26.0 k1 23.5 Taper: 1/10 Thread: M30x1.5 RHT



SI-2704	MAN
Tie Rod End	
Application:	F2000, L2000, M90, M2000 L/M, G, G90, TGL, TGM
OE Ref:	81953010013, 81953010074, 81953016068, 81953016163, 90804153107, 90804153113
Dimensions:	Length: 120 Cones Ø: k2 26.0 k1 23.5 Taper: 1/10 Thread: M30x1.5 LHT



SI-2705	MAN
Tie Rod End	
Application:	G90, L2000, M2000 L/M
OE Ref:	81953016060, 81953016135, 81953016140, 81953016249, 81953016328, 81953016358
Dimensions:	Length: 101 Cones Ø: k2 22.0 k1 20.0 Taper: 1/10 Thread: M28x1.5 RHT



SI-2706	MAN
Tie Rod End	
Application:	G90, L2000, M2000 L/M
OE Ref:	81953010079, 81953016139, 81953016222, 81953016329
Dimensions:	Length: 101 Cones Ø: k2 22.0 k1 20.0 Taper: 1/10 Thread: M28x1.5 LHT

SI-2707	MAN
Tie Rod End	
Application:	G, G90, L2000
OE Ref:	81953016303, 81953010077, 81953016134, 81953016142, 81953016321
Dimensions:	Length: 95 Cones Ø: k2 20.0 k1 18.0 Taper: 1/10 Thread: M24x1.5 RHT



SI-2708	MAN
Tie Rod End	
Application:	G, G90, L2000
OE Ref:	81953016304, 81953010078, 81953016141, 81953016322
Dimensions:	Length: 95 Cones Ø: k2 20.0 k1 18.0 Taper: 1/10 Thread: M24x1.5 LHT



RENAULT





SI-2801	RENAULT
Tie Rod End	
Application:	C, MAGNUM AE, MAJOR R, MANAGER G, MAXTER G, R, PREMIUM
OE Ref:	0003406169, 0003406236, 0003406251, 0003406254, 0003406260, 0003406261, 5000288360, 5000590236, 5000804824, 7701011412, 5001858773
Dimensions:	Length: 125 Cones Ø: k2 30.0 k1 27.0 Taper: 1/10 Thread: M30x1.5 RHT



SI-2802	RENAULT
Tie Rod End	
Application:	C, MAGNUM AE, MAJOR R, MANAGER G, MAXTER G, R, PREMIUM
OE Ref:	0003401170, 5000288361, 5001832581, 5001858774
Dimensions:	Length: 125 Cones Ø: k2 30.0 k1 27.0 Taper: 1/10 Thread: M30x1.5 LHT



SI-2803	RENAULT
Tie Rod End	
Application:	MIDLINER M/S, MAGNUM E.TECH, MIDLUM
OE Ref:	0003406212, 0003406253, 5000242159, 5000295214, 5000812483, 5001831473, 7701016946, 5001850549, 5001852264
Dimensions:	Length: 120 Cones Ø: k2 26.0 k1 23.5 Taper: 1/10 Thread: M30x1.5 RHT



SI-2804	RENAULT
Tie Rod End	
Application:	MIDLINER M/S, MAGNUM E.TECH, MIDLUM
OE Ref:	0003406213, 0003406218, 5000295215, 5001850550, 5001852263, 5001859984, 5001834533
Dimensions:	Length: 120 Cones Ø: k2 26.0 k1 23.5 Taper: 1/10 Thread: M30x1.5 LHT

SI-2805	RENAULT
Tie Rod End	
Application:	MIDLINER M
OE Ref:	0003406242, 5000559335, 5000823987, 5001825687
Dimensions:	Length: 101 Cones Ø: k2 22.0 k1 20.0 Taper: 1/10 Thread: M28x1.5 RHT



SI-2806	RENAULT
Tie Rod End	
Application:	MIDLINER M
OE Ref:	5000559336, 5000823947, 5000823997
Dimensions:	Length: 101 Cones Ø: k2 22.0 k1 20.0 Taper: 1/10 Thread: M28x1.5 LHT



SI-2807	RENAULT
Tie Rod End	
Application:	MESSENGER B, MIDLINER M/S
OE Ref:	0003406252, 5000807554, 5000814097, 5001844136
Dimensions:	Length: 95 Cones Ø: k2 20.0 k1 18.0 Taper: 1/10 Thread: M24x1.5 RHT



SI-2808	RENAULT
Tie Rod End	
Application:	MESSENGER B, MIDLINER M/S
OE Ref:	5000814096, 5000807553, 5001844135
Dimensions:	Length: 95 Cones Ø: k2 20.0 k1 18.0 Taper: 1/10 Thread: M24x1.5 LHT



NEOPLAN



SI-2901	NEOPLAN
Tie Rod End	
Application:	CENTROLINER N4420/4421, STARLINER N5218,TOURLINER 2216,TRANSLINER N316,TRENDLINER N3516
OE Ref:	I22353202, I20325000, NI01 I020300
Dimensions:	Length: 125 Cones Ø: k2 30.0 k1 27.0 Taper: 1/10 Thread: M30x1.5 RHT



SI-2902	NEOPLAN
Tie Rod End	
Application:	CENTROLINER N4420/4421, STARLINER N5218,TOURLINER 2216,TRANSLINER N316,TRENDLINER N3516
OE Ref:	I22353201, I20325200, NI01 I020299
Dimensions:	Length: 125 Cones Ø: k2 30.0 k1 27.0 Taper: 1/10 Thread: M30x1.5 LHT



SI-2903	NEOPLAN
Tie Rod End	
Application:	
OE Ref:	082192300, I20325101
Dimensions:	Length: 120 Cones Ø: k2 26.0 k1 23.5 Taper: 1/10 Thread: M30x1.5 RHT



VANHOOL



Allgäu-Airport-Express GmbH
Am Flughafen 50
87769 Memmingerberg
www.aaxpress.de

ALLGÄU-AIRPORT-EXPRESS

ALLGÄU-AIRPORT-EXPRESS

MN AE 1001



SI-2951	VAN HOOL
Tie Rod End	
Application:	
OE Ref:	634301250
Dimensions:	Length: 125 Cones Ø: k2 30.0 k1 27.0 Taper: 1/10 Thread: M30x1.5 RHT



SI-2952	VAN HOOL
Tie Rod End	
Application:	
OE Ref:	634301300
Dimensions:	Length: 125 Cones Ø: k2 30.0 k1 27.0 Taper: 1/10 Thread: M30x1.5 LHT



SI-2952	VAN HOOL
Tie Rod End	
Application:	
OE Ref:	634301260, 634301331, 634301330
Dimensions:	Length: 120 Cones Ø: k2 26.0 k1 23.5 Taper: 1/10 Thread: M30x1.5 RHT

VOLKSWAGEN



SI-3001	VOLKSWAGEN
Tie Rod End	
Application:	I2-140, 14-150, 14-200, 16-170/ 210/ 220
OE Ref:	T16415712B
Dimensions:	Length: 125 Cones Ø: k2 30.0 k1 27.0 Taper: 1/10 Thread: M30x1.5 RHT



SI-3002	VOLKSWAGEN
Tie Rod End	
Application:	LT 28-35 II BUS (2DM), LT 28-46 II BOX (2DX0AE) /FLATBED-CHASSIS (2DX0FE)
OE Ref:	2D0422811
Dimensions:	Length: 80 Cones Ø: k2 20.0 k1 18.0 Taper: 1/10 Thread: M16x1.5 RHT



SI-3003	VOLKSWAGEN
Ball Joint	
Application:	LT 28-35 II BUS (2DM), LT 28-46 II BOX (2DX0AE) /FLATBED-CHASSIS (2DX0FE)
OE Ref:	2D0407361B, 2D0407361A, 2D0407361
Dimensions:	Cones Ø: k2 26.0 k1 23.4 Taper: 1/10 Thread: M20x1.5





KH NO. - 80, STREET NO.- 8, SAMAYPUR, INDL AREA, DELHI -42 (INDIA)
M - 009911851206, 009891086311, LANDLINE - 91-011-27835104
shellyind2000@yahoo.com, www.indiamart.com/shelley-industries