

FitWell[®]
Collets & Accessories



AN ISO 9001 : 2015 CERTIFIED COMPANY

CNC INNER DIAMETER CLAMPING CHUCK

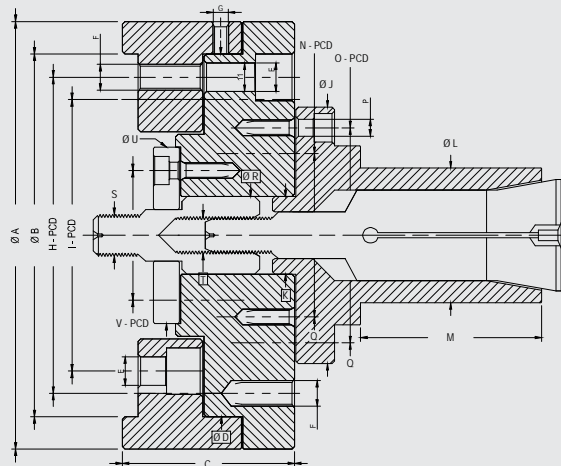
DIMENSIONS

All Dimensions in mm.

Model	FEPC 20 - 45 X L 50	FEPC 46 - 70 X L 100	Description
A	165	165	Body Main OD
B	140	140	CNC Clamping ID
C	66	66	Inner Collet Chuck Length
D	140	140	Collet Chuck Dowel
E	PCD 122 - 11 - 120°	PCD 122 - 11 - 120°	Plat Clamping Hole
F	PCD 122 - 10 x 1.5 - 120°	PCD 122 - 10 x 1.5 - 120°	Plat Clamping Thread
G	6 X 1.0 - 120°	6 X 1.0 - 120°	Run Out Balance Thread
H	PCD 122 - 120°	PCD 122 - 120°	Plat Mount PCD
I	PCD 104.8 - 120°	PCD 104.8 - 120°	CNC Spindle Clamping PCD
J	80	100	Collet Main OD
K	30	30	Collet Alignment OD
L	20 - 45	46 - 70	Collet Job Clamping OD
M	50	100	Collet Job Clamping Length
N	PCD 63 - 120°	---	Collet Mounting PCD
O	---	PCD 83 - 120°	Collet Mounting PCD
P	PCD 63 - 6.5 - 120°	PCD 83 - 6.5 - 120°	Collet Mounting Bolt Hole
Q	PCD 63 - 6 x 1.0 - 120°	PCD 83 - 6 x 1.0 - 120°	Collet Mounting Thread
R	30	30	Draw Bar Coupler OD
S	16 X 2.00	16 X 2.00	Draw Bar Coupler OD Thread
T	10 X 1.5	14 X 1.5	Coupler ID Thread For Collet
U	68	68	Coupler Guide Plate OD
V	PCD 50 - 120°	PCD 50 - 120°	Coupler Guide Plate Mounting PCD

SPECIFICATIONS

Model		FEPC 20 - 45 X L 50	FEPC 46 - 70 X L 100
Total Stroke	mm	7	7
Max. draw bar pull	kgf	1000	1000
Max. speed	rpm	4500	4500





Mfg.:

Fit Well
ENGINEERS

AN ISO 9001 : 2015 CERTIFIED COMPANY

5-Chhaniyara Estate, Dhebar Road (South), Atika,
B/h Pancheshwar Estate, RAJKOT - 360 002 (Gujarat)

Ph. : + 91 281 2367412 Cell. : +91 9427206889 / 9825196077

Web: www.fitwellcollets.com E-mail: info@fitwellcollets.com

AUTHORISED DEALER