

**ATLAS
METAL**™



ATCAB®

**Earthing
Accessories**

Atlas Metal Industries Pvt. Ltd.

Registered Office: 63, Avsar Building, 77/81, Kazi Syed Street,
Masjid Bunder (W), Mumbai - 400 003, Maharashtra

Factory: Survey No. 472, Jamnagar - Lalpur Highway,
Village: Changa, Tal & Dist: Jamnagar - 361 012, Gujarat

+91 288 2730 944

atlasmetalind.com

sales@atlasmetalind.com

**ATLAS
METAL**™

Trisorendia





Introduction

We at Atlas Metal are an establishment with 25 years of excellence and commitment in the Indian Metal products market with a stronghold in the national and international market. With the most modern and latest manufacturing technology machinery unit at Jamnagar, Gujarat, our diligent team is well-equipped to meet, as well as exceed our customers' expectations.

Incepted in 1996, we at Atlas Metal Industries began our journey, by manufacturing brass electrical wiring and earthing accessories with the brand name 'ATCAB'. What began as a humble company operating in a mere 1000 Sq. Ft. area with just 7 employees, has now become a formidable force with over 180 skilled personnel working at a sprawling area of over 50,000 Sq. Ft. At Atlas, we have earned the reputation of being one of the leading manufacturing and exporting companies in our domain industry with an annual capacity of 500 metric tons, of which 95% is export.

Key Segments:

- 1) Cable Gland and Accessories
- 2) Earthing Accessories
- 3) Cable Lugs
- 4) Conduit Fitting

Taking the mantle of excellence further, we at Atlas Group launched our brand 'ATFIT' derived from Fittings - of Brass Precision Turned Components. We offer products in a variety of metals like Brass, Zinc, Stainless Steel etc. and also we make customised products in sync with our customers' meticulous requirements, apart from offering quality that is at par with international benchmarks, yet at competitive price.

An ISO:9001 certified company, we at Atlas manufacture high precision products, by using CNC machines. We have product certification of CE, EX, ROHS, IP68 and CMRI, which makes us one of the most reliable names across the industry.



Vision

To become a futuristic and complete solution provider in the cable glands and accessories industry and provide customised solutions through Atlas **EDGE**.

Enhancing quality, capacity and innovation each day

Developing unwavering international bonds

Gearing towards a sustainable future

Empowering all associated stakeholders



Mission

Produce world-class products with a customer-centric approach with a commitment to creating a better world for all people and nations.

Being rooted in values to render the best quality at the best possible prices and evolve dynamically with technology to be at par with what the world needs.



Values

Honesty, Integrity and Humility are the core values of Atlas Metal.

Delivering the best quality products with competitive prices in honesty, along with commitment, safety and seamless customisation.

We respect everyone equally - right from the bottom to top-level management, stakeholders and customers alike.

We believe strongly in growing as a team.

Policies



Environmental Policy

Atlas Metal is an environment-focused company that holds a policy that does not harm the environment locally, nationally or globally.

We will continuously measure the impact on the environment and strive for continuous improvement.

Atlas Metal will comply with all relevant environmental legislation and mandatory requirements and shall continuously raise awareness among our staff regarding environmental issues and enlist their support in improving the company's performance.



Health and Safety Policy

Atlas Metal strives to create a safe and healthy working environment since employee welfare is our priority.

All activities that would endanger the health and safety of our employees will always be monitored. Regular health surveillance will be made as per necessity.

Atlas Metal takes care of the employees as they are all an integral part of the Atlas family.



Customer Service

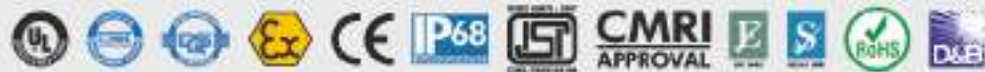
Atlas Metal is committed to going beyond customer satisfaction. Along with high-quality products, Atlas ensures effective and personal pre- and post-association with the client. Atlas Metal provides specialised training to technicians to provide better service to customers like:

- 1) Installations and personnel for assistance to clients.
- 2) Analyse faults to rectify them as soon as possible.
- 3) Rectify the issues by out minor repairs at the site etc.

Certifications & Memberships



Global Approvals



- ISO 9001-2008 - Certification by UL (Underwriters Laboratories Inc.)
- CMRI approval on Double Compression Cable Gland for use in Flammable Gas/Vapour area
- CE approval on IP68 Cable Gland for use high degree of protection
- IP68 CABLE GLAND tested for protection against Ingress of Dust & Continuous Immersion
- ROHS Compliance Product Range
- Member of the Engineering Export Promotion Council (EEPC)
- Member of the Federation of Indian Export Organisations (FIEO)
- Member of the Indian Electrical and Electronics Manufacturers Association (IEEMA)
- Register with Dun & Bradstreet (D&B)

Working Area



INDUCTION FOUNDRY



PERFORMANCE TESTING



MANUFACTURING PROCESS



CNC PROCESS



QUALITY INSPECTION



ASSEMBLY & PACKING

Index

01	COPPER BONDED EARTH RODS AND FITTINGS SOLID COPPER EARTH RODS (EXTERNALLY THREADED)	9	13	SPLIT CONNECTOR CLAMPS ROD TO TAPE COUPLING SCREW DOWN TEST CLAMP	21
02	HOT DIP GALVANISED STEEL EARTH RODS SOLID COPPER EARTH RODS (INTERNALLY THREADED)	10	14	ROD BRACKETS C CRIMP CONNECTORS EARTH BOSS	22
03	DRIVING SPIKE INTERNAL COUPLING DOWEL DRIVING HEAD DRIVING BOLT	11	15	SPLIT BOLT CONNECTORS CONCRETE EARTH HOUSING SMALL SQUARE POLYMER EARTH PIT	23
04	1-TP GI EARTHING ELECTRODE (PIPE IN STRIP) 2-TP COPPER TERMINAL EARTHING ELECTRODE 3-TP PURE COPPER EARTHING ELECTRODE 4-TP COPPER BONDED EARTHING ELECTRODE	12	16	EARTH PLATES EARTH LATTICES EARTH BONDING POINTS	24
05	TAPER POINTED AIR RODS AIR ROD TERMINAL BASE MULTIPLE POINTS FLAT SADDLE - T	13	17	WIPING GLANDS	25
06	COUPLING U BOLT ROD CLAMPS (TYPE 'E') ROD TO CABLE CLAMPS (TYPE 'GUV')	14	18	ARMOUR CLAMPS MANSION CLAMPS MALE/FEMALE STAND BOLIVAR CLAMPS HOSPITAL CLAMPS	26
07	ROD TO TAPE CLAMP (TYPE 'A') ROD TO CABLE CLAMPS (TYPE 'O') ROD TO CABLE CLAMPS (TYPE 'G')	15	19	EARTH ENHANCING COMPOUND BARE COPPER TAPES BARE ALUMINIUM TAPES BARE G.I. TAPES	27
08	CABLE TO SQUARE JOINT CABLE TEE CLAMP HEAVY DUTY CONDUCTOR SADDLE	16	20	NEUTRAL LINK BAR WITH BASE EARTH BLOCKS NEUTRAL LINK BARS	28
09	DC TAPE CLIPS SQUARE TAPE CLAMPS CABLE TO TAPE JOINT	17	21	GROUND PIPE CLAMPS GROUND LAY IN REBAR CLAMP GROUND CLAMPS FOR RIGID CONDUIT HEAVY DUTY GROUND CLAMP	29
10	PLATE TEST CLAMP OBLONG TEST CLAMP TOWER EARTH CLAMP DOUBLE PLATE/SINGLE PLATE	18	22	HEAVY DUTY LAY IN GROUND CLAMP TRANSFORMER GROUND CLAMPS VISE GRIP CLAMPS LAY IN CONNECTORS	30
11	TAPE CLIPS COPPER TAPE CLIPS ONE HOLE CLIP	19	23	HOT LINE CLAMPS	31
12	B BOND RWP BOND WATERMAIN PIPE BOND	20	24	A CLAMP (ROD TO TAPE CLAMP) B CLAMP (ROD TO CABLE CLAMP) STRIKE PAD (COPPER ALLOY) STRIKE PAD (ALUMINIUM ALLOY)	33



COPPER BONDED EARTH RODS AND FITTINGS

Manufactured from high tensile low carbon steel by molecularly bonding 99.9% pure electrolytic copper, these earth rods conform to BS 4360 grade 43A. Each rod is treated with Benzotriazole derivatives to prevent oxidation of copper bonding. The threads are formed by roll threading process which ensures strength and maintains the molecularly bonded copper along the full length of the threads. The rods can be deep driven manually or by using a power hammer.

Material: MS Copper Bonded

CODE NO.	ROD DIA MM	TOTAL LENGTH	THREAD DIA
AT-CB-9.5-1.2	9.5	1200	Unthreaded
AT-CB-12.7-1.2	12.7	1200	9/16"
AT-CB-12.7-1.5	12.7	1500	9/16"
AT-CB-12.7-1.8	12.7	1800	9/16"
AT-CB-12.7-2.4	12.7	2400	9/16"
AT-CB-12.7-3.0	12.7	3000	9/16"
AT-CB-14.2-12.5	14.2	1200	5/8"
AT-CB-14.2-1.5	14.2	1500	5/8"
AT-CB-14.2-1.8	14.2	1800	5/8"
AT-CB-14.2-2.4	14.2	2400	5/8"
AT-CB-14.2-3.0	14.2	3000	5/8"
AT-CB-17.2-1.2	17.2	1200	3/4"
AT-CB-17.2-1.5	17.2	1500	3/4"
AT-CB-17.2-1.8	17.2	1800	3/4"
AT-CB-17.2-2.4	17.2	2400	3/4"
AT-CB-17.2-3.0	17.2	3000	3/4"
AT-CB-25-2.4	25.0	2400	Unthreaded
AT-CB-25-3.0	25.0	3000	Unthreaded

SOLID COPPER EARTH RODS (Externally Threaded)

For use where extreme soil condition such as high salt or moisture content demands high corrosion resistance and exceptionally long life of rods. Solid Copper Earth Rods are made from high conductivity hard drawn copper to BS2874 C101. Threads are formed by roll threading process to ensure extra strength and avoid the risk of chipping while driving the rods in the ground.

Material: Copper

CODE NO.	ROD DIA MM	TOTAL LENGTH	THREAD DIA Unthreaded
AT-SC-12.7-1.2	12.7	1200	8 mm
AT-SC-12.7-1.5	12.7	1500	8 mm
AT-SC-12.7-1.8	12.7	1800	8 mm
AT-SC-12.7-2.4	12.7	2400	8 mm
AT-SC-12.7-3.0	12.7	3000	8 mm
AT-SC-14.2-1.2	14.2	1200	10 mm
AT-SC-14.2-1.5	14.2	1500	10 mm
AT-SC-14.2-1.8	14.2	1800	10 mm
AT-SC-14.2-2.4	14.2	2400	10 mm
AT-SC-14.2-3.0	14.2	3000	10 mm
AT-SC-17.2-1.2	17.2	1200	10 mm
AT-SC-17.2-1.5	17.2	1500	10 mm
AT-SC-17.2-1.8	17.2	1800	10 mm
AT-SC-17.2-2.4	17.2	2400	10 mm
AT-SC-17.2-3.0	17.2	3000	10 mm



HOT DIP GALVANISED STEEL EARTH RODS

A cost effective option for earthing, Hot Dip Galvanized Steel Earth Rods are made of high strength low carbon steel. These are hot dip galvanized to BS729.

Material: MS

CODE NO.	ROD DIA MM	TOTAL LENGTH	THREAD DIA
AT-HD-12-1.2	12	1200	Unthreaded
AT-HD-12-1.5	12	1500	Unthreaded
AT-HD-12-1.8	12	1800	Unthreaded
AT-HD-12-2.4	12	2400	Unthreaded
AT-HD-12-3.0	12	3000	Unthreaded
AT-HD-14-1.2	14	1200	Unthreaded
AT-HD-14-1.5	14	1500	Unthreaded
AT-HD-14-1.8	14	1800	Unthreaded
AT-HD-14-2.4	14	2400	Unthreaded
AT-HD-14-3.0	14	3000	Unthreaded
AT-HD-16-1.2	16	1200	Unthreaded
AT-HD-16-1.5	16	1500	Unthreaded
AT-HD-16-1.8	16	1800	Unthreaded
AT-HD-16-2.4	16	2400	Unthreaded
AT-HD-16-3.0	16	3000	Unthreaded
AT-HD-20-1.2	20	1200	Unthreaded
AT-HD-20-1.5	20	1500	Unthreaded
AT-HD-20-1.8	20	1800	Unthreaded
AT-HD-20-2.4	20	2400	Unthreaded
AT-HD-20-3.0	20	3000	Unthreaded

SOLID COPPER EARTH RODS (Internally Threaded)

For use where extreme soil conditions such as high salt or moisture content demands high corrosion resistance and exceptionally long life of rods. Solid Copper Earth Rods are made from high conductivity hard drawn copper to BS2874 C101

Material: Copper

CODE NO.	ROD DIA MM	TOTAL LENGTH	THREAD DIA
AT-SC-IN-14-1.2	14	1200	M10
AT-SC-IN-14-1.5	14	1500	M10
AT-SC-IN-15-1.2	15	1200	M10
AT-SC-IN-15-1.5	15	1500	M10
AT-SC-IN-16-1.2	16	1200	M10
AT-SC-IN-16-1.5	16	1500	M10
AT-SC-IN-20-1.2	20	1200	M12
AT-SC-IN-20-1.5	20	1500	M12



DRIVING SPIKE

The steel spike enables the rod to be driven easily and stops the copper rod from getting damaged.

Material: High Tensile Steel

CODE NO.	THREAD DIA	ROD DIA
ATDS-16	M10	5/8" or 16 mm
ATDS-18	M10	3/4" or 20 mm



INTERNAL COUPLING DOWEL

This coupling dowel is used to join the solid copper or stainless steel rods.

Material: High Grade Brass, Stainless Steel

CODE NO.	THREAD DIA	ROD DIA
ATIC-10	M10	5/8" or 16 mm
ATIC-12	M12	3/4" or 20 mm



DRIVING HEAD

The driving head protects the thread and the top of the rod from damage when driving.

Material: High Tensile Steel

CODE NO.	THREAD DIA	ROD DIA
ATDH-16	M10	5/8" or 16 mm
ATDH-20	M12	3/4" or 20 mm



DRIVING BOLT

This reusable driving bolt is suitable for driving earth rods by hand or with a power hammer.

The driving head screws into the coupling to allow deep driving of the earth rods and protect the threads.

Material: High Tensile Steel

CODE NO.	THREAD DIA	ROD DIA
ATDB-16	5/8" or 16 mm	14.2 mm
ATDB-20	3/4" or 20 mm	17.2 mm



1-TP GI EARTHING ELECTRODE (PIPE IN STRIP)

FEATURES

- Hot dip galvanized for corrosion protection
- Designed for fast fault current dissipation
- Low maintenance on site
- Easy and fast installation on site
- Most suitable for soil condition with pH value 5.0 & 8.0
- Moisture booster chemical bags provided for low earth resistance

MODEL	LENGTH Mtr	TERMINAL SIZE	INNER STRIP	OUTER PIPE Diameter (min) mm
48 MTPG	1, 2, 3	40X6	25X3	48
58 MTPG	1, 2, 3	50X6	25X3	58
88 MTPG	1, 2, 3	50X6	25X3	88



2-TP COPPER TERMINAL EARTHING ELECTRODE

FEATURES

- Hot dip galvanized for corrosion protection
- Designed for fast fault current dissipation
- Low-maintenance on site
- Easy and fast installation on site
- Most suitable for soil condition with pH value 5.0 & 8.0
- Moisture booster chemical bags provided for low earth resistance

MODEL	LENGTH Mtr	TERMINAL SIZE	INNER STRIP	OUTER PIPE Diameter (min) mm
48 MTPCT	1, 2, 3	40X6	25X3	48
58 MTPCT	1, 2, 3	50X6	25X3	58
88 MTPCT	1, 2, 3	50X6	25X3	88



3-TP PURE COPPER EARTHING ELECTRODE

FEATURES

- Used 100% copper for long life
- Designed for fast fault current dissipation
- Low maintenance on site
- Easy & fast installation on site
- Most suitable for soil condition with pH value 5.0 & 8.0
- Moisture booster chemical bags provided for low earth resistance

MODEL	LENGTH Mtr	TERMINAL SIZE	INNER STRIP	OUTER PIPE Diameter (min) mm
48 MTPPC	1, 2, 3	40X6	25X3	48
58 MTPPC	1, 2, 3	50X6	25X3	58
88 MTPPC	1, 2, 3	50X6	25X3	88



4-TP COPPER BONDED EARTHING ELECTRODE

FEATURES

- Long-life
- Enhance Conductivity
- Most suitable for soil condition with pH value 5.0 & 8.0
- Tested from NABL & CPRT lab

MODEL	LENGTH Mtr	TERMINAL SIZE	INNER STRIP	OUTER PIPE Diameter (min) mm
48 MTPCB	1, 2, 3	40X6	25X3	48
58 MTPCB	1, 2, 3	50X6	25X3	58
88 MTPCB	1, 2, 3	50X6	25X3	88



TAPER POINTED AIR RODS

Air Rods used in conventional lightning protection systems are the point of interception for lightning strikes and as such should be considered for inclusion in any air termination design. Air rods require other components such as saddles, brackets and coupling at the time of installation.

Material: Copper/Brass/Aluminium

CODE NO.	THREAD DIA.	LENGTH MM
AT-TPAMULDP-16-0.3	5/8" or 16 mm	300
AT-TPAMULDP-16-0.5	5/8" or 16 mm	500
AT-TPAMULDP-16-1.0	5/8" or 16 mm	1000
AT-TPAMULDP-16-1.5	5/8" or 16 mm	1500
AT-TPAMULDP-16-2.0	5/8" or 16 mm	2000
AT-TPAMULDP-20-0.3	3/4" or 20 mm	300
AT-TPAMULDP-20-0.5	3/4" or 20 mm	500
AT-TPAMULDP-20-1.0	3/4" or 20 mm	1000
AT-TPAMULDP-20-1.5	3/4" or 20 mm	1500
AT-TPAMULDP-20-2.0	3/4" or 20 mm	2000
AT-TPAMULDP-20-3.0	3/4" or 20 mm	3000

MULTIPLE POINTS

This can be used in conjunction with a copper pointed air terminal. The multi-point is connected to the air termination network.

Material: Gunmetal, Brass base with Copper Spikes.

CODE NO.	THREAD DIA.
AT-MULPOR-16	5/8" of 16 mm
AT-MULPOK-16/20	5/8" of 16 mm
AT-MULPOK-H 16/20	3/4" of 20 mm

AIR ROD TERMINAL BASE

Used in conjunction with an air rod, the flat saddle fixes onto the roof network of the lightning protection system connecting the tape to the air rod.

Material: Gunmetal, Brass

CODE NO.	THREAD DIA.
AT-ART-16	5/8" of 16 mm
AT-ART-H16	5/8" of 16 mm
AT-ART-R16	5/8" of 16 mm
AT-ART-R20	3/4" of 20 mm

FLAT SADDLE - T

Technical - Flat Saddles are made of gunmetal and brass and are used for supporting taper-pointed or blunt air rods with copper tapes on a flat surface.

Material: Gunmetal, Brass

CODE NO.	ROD DIA	THREAD DIA.	MAXIMUM TAPE SIZE
AT-FST-15	15 mm	M16	30 X 6
AT-FST-17.2	17.2 mm	3/4"	30 X 6



COUPLING

This coupling joins lengths of threaded copper bond earth rods together. They facilitate deep driving and ensure continual contact between the rods during and after driving.

The coupling also protects the rod threads while using the driving stud. The coupling has lead for ease of assembly and a hex on the outside for grip and keeping the coupling tight when driving into the ground.

Material: Gunmetal, Brass, Aluminium Bronze

CODE NO.	THREAD DIA	LENGTH
ATCDUP-R1/2X50	1/2" (M12)	50 MM
ATCDUP-R1/2X50	1/2" (M12)	50 MM
ATCDUP-RB/16X50	1/16" (M14)	50 MM
ATCDUP-R5/8X50	5/8" (M16)	50 MM
ATCDUP-R5/8X60	5/8" (M16)	60 MM
ATCDUP-R5/8X80	5/8" (M16)	80 MM
ATCDUP-R5/8X70	5/8" (M16)	70 MM
ATCDUP-R5/8X90H	5/8" (M16)	90 MM
ATCDUP-R5/8X50H	5/8" (M16)	50 MM
ATCDUP-R5/8X70H	5/8" (M16)	70 MM
ATCDUP-R3/4X50	3/4" (M20)	50 MM
ATCDUP-R3/4X60	3/4" (M20)	60 MM
ATCDUP-R3/4X70	3/4" (M20)	70 MM
ATCDUP-R3/4X78	3/4" (M20)	78 MM
ATCDUP-CH5/8X70	5/8" (M16)	70 MM
ATCDUP-CH3/4X70	3/4" (M20)	70 MM
ATCDUP-CH3/4X78	3/4" (M20)	78 MM
ATCDUP-CH5/8X72	5/8" (M16)	72 MM
ATCDUP-CH3/4X82	3/4" (M20)	82 MM

U BOLT ROD CLAMPS (TYPE 'E')

These clamps are used to connect flat taps in a horizontal position on the rod.

Material: Gunmetal, Brass

CODE NO.	ROD DIA MM	CONDUCTOR RANGE MM'
AT-UE-25	16 to 25	25 X 3
AT-UE-38	25 to 38	25 X 3
AT-UE-50	38 to 50	25 X 3
AT-UE-25X3	16 to 25	25 X 3
AT-UE-38X6	25 to 38	38 X 6
AT-UE-50X6	38 to 50	50 X 6

ROD TO CABLE CLAMPS (TYPE 'GUV')

These clamps are used to connect standard cable in a vertical position on the rod.

Material: Gunmetal, Brass

CODE NO.	ROD DIA MM	CONDUCTOR RANGE MM'
AT-GUV-16	9.5	16 - 150
AT-GUV-20	14 TO 20	16 - 300
AT-GUV-25	25	16 - 300
AT-GUV-25X3	14 TO 20	25 X 3 TAPE





ROD TO TAPE CLAMP (TYPE 'A')

A popular clamp is used for forming a connection between tape and earth rod.

Material: Brass & Gunmetal with M10 x 25 mm Mild Steel Sets Screws

CODE NO.	ROD DIA MM	TAPE WITH MM
AT-CPA-12	12	-
AT-CPA-14	14	-
AT-CPA-16	16	-
AT-CPA-25X3L	20	25X3
AT-CPA-25X3	20	25X3
AT-CPA-32X3	20	32X3
AT-CPA-50X6	20	50X6



ROD TO CABLE CLAMPS (TYPE 'O')

'O' clamps are used for connecting earth rods to standard copper conductors. These durable clamps are resistant to corrosion and ensure a lasting connection.

Material: Brass & Gunmetal with M10 x 25 mm Mild Steel Sets Screws

CODE NO.	ROD DIA MM	CONDUCTOR RANGE MM ²
AT-CPO-16	16	16-70
AT-CPO-20	20	16-95



ROD TO CABLE CLAMPS (TYPE 'G')

'G' clamps are used for connecting earth rods to standard copper conductors. These durable clamps are resistant to corrosion and ensure a lasting connection.

Material: Brass & Gunmetal with M10 x 25 mm Mild Steel Sets Screws

CODE NO.	ROD DIA MM	CONDUCTOR RANGE MM ²
AT-CPG-12	12	6-35
AT-CPG-14	14	6-35
AT-CPG-16	16	16-70
AT-CPG-20	20	70-120
AT-CPG-20H	20	70-150
AT-CPG-25	25	70-185



CABLE TO SQUARE JOINT

This four way connection is suitable for crossing over cable making straight through joints or these connection conductors.

Material: Gunmetal, Brass

CODE NO.	CONDUCTOR SIZE MM ²
AT-CSJ-35	35 TO 50
AT-CSJ-95	70 TO 120
AT-CSJ-185	150 TO 240



CABLE TEE CLAMP

This cable tee clamp is used to connect standard copper or solid round copper conductors in tee shape.

Material: Gunmetal, Brass

CODE NO.	CONDUCTOR SIZE MM ²
AT-CTC-35	35 TO 70
AT-CTC-70	70 TO 95
AT-CTC-185	120 TO 185



HEAVY DUTY CONDUCTOR SADDLE

This heavy duty conductor saddle is used for fixing standard or solid round copper conductors.

Material: Gunmetal, Brass

CODE NO.	CONDUCTOR SIZE MM ²
AT-CDC-35	35 TO 70
AT-CDC-120	95 TO 185
AT-CDC-185	240 TO 300



DC TAPE CLIPS

These are used to secure copper tape to the building the taps fit into the clip and are secured by two screws. The clip has a hole in the base for fixing to the building with a screw and plug.

Material: Gunmetal, Brass & Aluminium

CODE NO.	CONDUCTOR SIZE MM
AT-DTC-20-3	20 x 3
AT-DTC-25-3	25 x 3
AT-DTC-25-3L	25 x 3
AT-DTC-25-6	25 x 6
AT-DTC-31-3	31 x 3
AT-DTC-31-6	31 x 6
AT-DTC-40-3	40 x 3
AT-DTC-40-6	40 x 6
AT-DTC-50-3	50 x 3
AT-DTC-50-6	50 x 6



SQUARE TAPE CLAMPS

These four way connectors are suitable for crossing over tapes, making straight joint or T connections in a continuous network of tapes. The base has a countersunk hole in the middle for securing the clamp in place; the lid is secured by four screws.

Material: Gunmetal, Brass & Aluminium

CODE NO.	CONDUCTOR SIZE MM
AT-STC-20-3	20 X 3
AT-STC-25-3	25 X 3
AT-STC-25-3EX	25 X 3
AT-STC-25-3L	25 X 3
AT-STC-25-6	25 X 6
AT-STC-31-3	31 X 3
AT-STC-31-6	31 X 6
AT-STC-38-6	38 X 6
AT-STC-40-3	40 X 3
AT-STC-40-6	40 X 6
AT-STC-50-3	50 x 3
AT-STC-50-6	50 x 6



CABLE TO TAPE JOINT

These connectors are suitable for crossing over tape and cable, to make straight-through joints or T connectors in a continuous network.

Material: Gunmetal, Brass

CODE NO.	CONDUCTOR SIZE MM ²	TAPE	W	H
AT-CTTJ-8	8 dia. Or 50 Sq. mm	25X3	52	34



PLATE TEST CLAMP

This clamp is used to form a disconnection joint between the down conductor system and the earthing system. The conductors are secured by four bolts attached to the base, the clamp is also suitable for use in heavy-duty applications where the conductors up to 50x6 have to be joined in a crossover or T connection.

Material: Gunmetal, Brass

CODE NO.	CONDUCTOR SIZE MM
AT-PTC-25-3	25 x 3
AT-PTC-25-3H	25 x 3
AT-PTC-50-6	50 x 6



OBLONG TEST CLAMP

This oblong test clamp is designed to join a range of tape size 20 x 3 to 50 x 6. This clamp can also be used for disconnecting the earthing system for testing purposes. The clamp in many applications allows the conductors to be overlapped and secured by two bolts.

Material: Gunmetal, Brass

CODE NO.	CONDUCTOR SIZE MM
AT-OTC-25-3	25 x 3
AT-OTC-38-6	38 x 6
AT-OTC-50-6	50 x 6



TOWER EARTH CLAMP DOUBLE PLATE

This double plate clamp is suitable for bonding copper conductor to steel surfaces in areas where a more robust version of the single plate is required such as where cladding may be installed later or the complete clamp will be covered by concrete. The double plate clamp is fixed by drilling a hole in the steelwork and securing it with the bolt provided.

Material: Gunmetal, Brass

CODE NO.	CONDUCTOR SIZE MM ²	CHANNEL THICKNESS MM	BOLT SIZE
AT-TEC-16-150	16-150	10	M 10
AT-TEC-50-240	50-240	10	M 12



TOWER EARTH CLAMP SINGLE PLATE

This single plate clamp is suitable for bonding copper conductor to steel surfaces in areas where the clamp is protected or unlikely to suffer damage. The single plate clamp is fixed by drilling a hole in the steelwork and securing it with the bolt provided.

Material: Gunmetal, Brass

CODE NO.	CONDUCTOR SIZE MM ²
AT-CDC-35	35 TO 70
AT-CDC-120	95 TO 185
AT-CDC-185	240 TO 300



TAPE CLIPS

These metal tape clips hold the tape flues to the surface and are fixed using two screws.

Material: Brass/Aluminium

CODE NO.	TAPE SIZE
AT-TC-20-1.5	20 x 3
AT-TC-20-2.0	20 x 3
AT-TC-20-3.0	20 x 3
AT-TC-25-1.5	25 x 3
AT-TC-25-2.0	25 x 3
AT-TC-25-3.0	25 x 3



COPPER TAPE CLIPS

An alternative to the DC Clip range, these tape clips hold flat conductors to the surface of a structure.

Material: Copper

CODE NO.	TAPE SIZE
AT-CTC-20	20 x 3
AT-CTC-25	25 x 3
AT-CTC-38	38 x 3
AT-CTC-50	50 x 6



ONE HOLE CLIP

The simple clip can be used for fixing conductors.

Material: Copper

CODE NO.	CONDUCTOR SIZE MM ²
AT-HC-25-35	25 - 35
AT-HC-50-70	50 - 70
AT-HC-70-95	70 - 95
AT-HC-120-185	120 - 185
AT-HC-240-300	240 - 300



B BOND

This bond is used for bonding copper or aluminium tapes to flat metal surfaces.

Material: Gunmetal, Brass & Aluminium

CODE NO.	TAPE WIDTH MM	BOLT SIZE
AT-BB-25	25 x 3	M10



RWP BOND

This pipe bond can be used on any application where the tape can be wrapped around circular objects such as pipes or rails.

Material: Gunmetal, Brass

CODE NO.	TAPE WIDTH MM	BOLT SIZE
AT-RWP-25	25 x 3	M10



WATERMAIN PIPE BOND

This bond is designed to bond metallic pipes into the earthing or lightning protection system.

Material: Gunmetal, Brass

CODE NO.	TAPE SIZE
AT-WPB-25	25 x 3



SPLIT CONNECTOR CLAMPS

These clamps are designed to be used with threaded and unthreaded rods, suitable for the connection of cable lug to an earth rod.

Material: Gunmetal, Brass

CODE NO.	ROD SIZE
AT-SCC-14	14
AT-SCC-15	15
AT-SCC-16	16
AT-SCC-H16	16
AT-SCC-20	20



ROD TO TAPE COUPLING

Used with the side mounting brackets or the building in holdfast this unit screws onto the air rod and connects to the tape with the fixing screws provided.

Material: Gunmetal, Brass

CODE NO.	ROD DIA MM	ROD SIZE
AT-RTC1-M16	14.2	16 mm
AT-RTC1-5/8"	14.2	5/8"
AT-RTC2-M16	14.2	16 mm
AT-RTC2-5/8"	14.2	5/8"
AT-RTC1-M20	17.2	20 mm
AT-RTC1-3/4"	17.2	3/4"



SCREW DOWN TEST CLAMP

The screw down test clamp allows easy access to copper conductors where frequent inspection or testing may be necessary, the heavy-duty lid simply screws on and off the base, and the clamp is so simple to unassemble it should not be used at ground level or anywhere within easy reach of the public.

Material: Gunmetal, Brass

CODE NO.	TAPE TYPE
AT-SDC-25	25 x 3



ROD BRACKETS

Designer frequently wish to affix air rods to the walls of structures to minimise aesthetic impacts upon the horizontal roof surface, the side mounting air rod bracket, accompanied by the rod to tape coupling is the fixing to achieve the sort of installation.

Material: Gunmetal, Brass

CODE NO.	ROD DIA. MM
AT-RB-14	14.2
AT-RB-17	17.2



C CRIMP CONNECTORS

These range-taking connectors are mainly used for tap or parallel connections of copper cable in earthing applications; they must be installed using the appropriate tool and dies.

Material: Extruded Electrolytic Copper

CODE NO.	CONDUCTOR MINIMUM	MAXIMUM	TYPE
AT-CCC-16	16	35	C
AT-CCC-25	25	35	C
AT-CCC-50	50	70	C
AT-CCC-70	70	70	C
AT-CCC-95	95	120	C
AT-CCC-120	120	240	C
AT-CCC-150	150	240	C



EARTH BOSS

The earth boss is designed to provide an earth point on a steel structure, the boss is welded into place.

Material: Mild Steel with Stainless Steel Fittings

CODE NO.	LENGTH MM	DIA MM	THREAD DIA.
ATEB-3038	30	38	3/8"
ATEB-5050	50	50	1/2"
ATEB-5030	50	30	
ATEB-5040	50	40	



SPLIT BOLT CONNECTORS

Split Bolt Connectors are used to secure a wide range of standard copper conductors.

Material: Brass

Finish: Natural Brass / Copper Plated Brass / Tin Plated Brass

CODE NO.	MAIN CONDUCTOR MM'
AT-SBC-6	6
AT-SBC-10	10
AT-SBC-16	16
AT-SBC-25	25
AT-SBC-32	32
AT-SBC-35	35
AT-SBC-50	50
AT-SBC-70	70
AT-SBC-95	95
AT-SBC-100	100
AT-SBC-120	120
AT-SBC-150	150
AT-SBC-185	185
AT-SBC-240	240
AT-SBC-300	300
AT-SBC-400	400
AT-SBC-500	500



CONCRETE EARTH HOUSING

This concrete pit protects and makes available for inspection the earth rod connection. The pit can have an earth bar fitted diagonally across in slots provided for multiple connections.

Material: Concrete

CODE NO.	L	W	H
AT-CIP-325	325	325	145



SMALL SQUARE POLYMER EARTH PIT

MATERIAL	POLYMER PLASTIC
COLOR	GREY & BLACK
SIZE	308 MM - 308 MM - 214 MM
LOAD CAPACITY	APPROX 5000 KG
WEIGHT	2.5-3 KG
HEAD SHAPE	SQUARE



EARTH PLATES

These solid copper earth plates are used as part of an earthing network. They provide a long lasting solution where earth rods are unsuitable.

Material: Pure Electrolytic Copper

SOLID COPPER EARTH PLATES

CODE NO.	PLATE SIZE MM
AT-EP-500-3	500 x 500 x 3
AT-EP-500-5	500 x 500 x 5
AT-EP-600-3	600 x 600 x 3
AT-EP-600-5	600 x 600 x 5
AT-EP-900-3	900 x 900 x 3
AT-EP-900-5	900 x 900 x 5
AT-EP-1000-3	1000 x 1000 x 3
AT-EP-1000-5	1000 x 1000 x 5



EARTH LATTICES

These lattice earth mats are a lower cost option to solid copper earth plated and when used with Bentonite provide a long lasting earthing. Earth mats or plating may be preferred on some telecom towers where step potential could cause problems.

Material: Pure Electrolytic Copper

CODE NO.	LATTICE SIZE MM	COPPER TAPE SIZE MM	NO. OF STRIPS
AT-EL-5-25-2	500 x 500	25 x 2	10
AT-EL-5-25-3	500 x 500	25 x 3	10
AT-EL-5-25-5	500 x 500	25 x 5	10
AT-EL-6-25-2	600 x 600	25 x 2	10
AT-EL-6-25-3	600 x 600	25 x 3	10
AT-EL-6-25-5	600 x 600	25 x 5	10
AT-EL-9-25-2	900 x 900	25 x 2	10
AT-EL-9-25-3	900 x 900	25 x 3	10
AT-EL-9-25-5	900 x 900	25 x 5	10
AT-EL-10-25-2	1000 x 1000	25 x 2	12
AT-EL-10-25-3	1000 x 1000	25 x 3	12
AT-EL-10-25-5	1000 x 1000	25 x 5	12



EARTH BONDING POINTS

These earth bonding points are installed to provide earthing continuity and a multiple bonding point. When cast into concrete they connect the re bar to the earthing or lightning protection system, the bonding points are available with one, two, and four hole connections. The bonding points are available with a variety of tail lengths to suit different applications.

Material: Gunmetal, Brass

Bonding Point

CODE NO.	NO. OF HOLES
ATEBP-1	1
ATEBP-2	2
ATEBP-4	4
ATEBP-25X3	-

Bonding Point with Tail

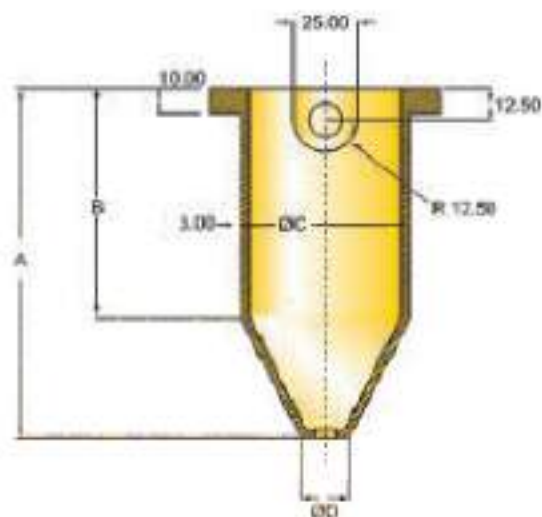
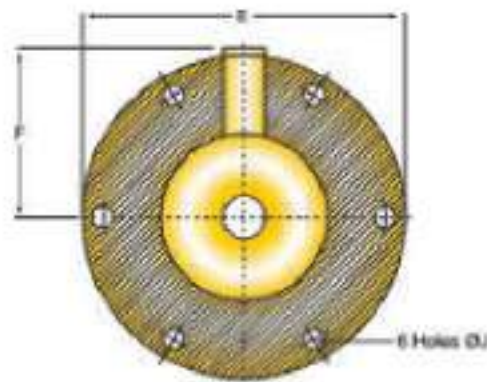
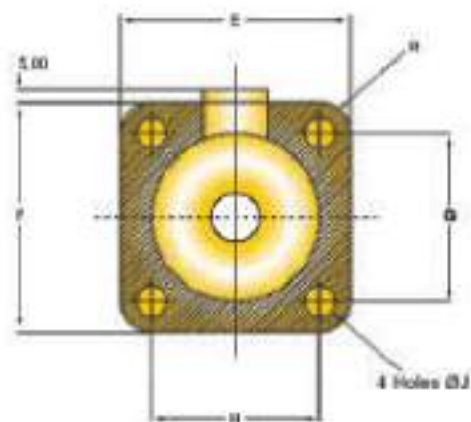
CODE NO.	NO. OF HOLES
AT-EBPT-1	1
AT-EBPT-2	2
AT-EBPT-4	4



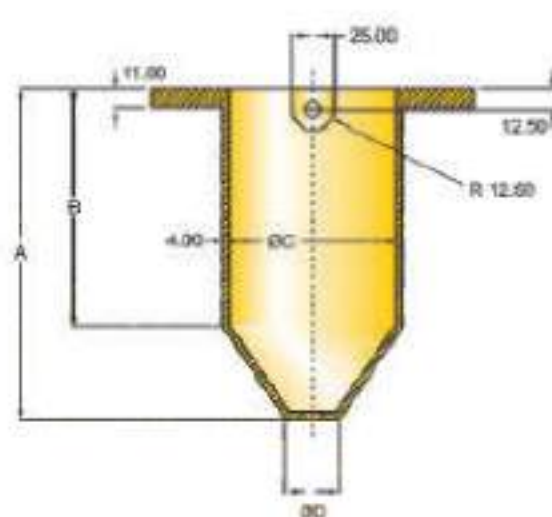
WIPING GLANDS

Material: Brass
Finish: Natural

CODE No.	GLAND SIZE	Dia Over Metal Sheath of Cable (mm)	OVERALL DIAMETER 'A'									
			A	B	OC	OD	E	F	G	H	OJ	R
AT-WGX	X	12 to 51	137	90	60	19	90	90	56	66	12	12
AT-WGY	Y	25 to 78	155	95	89	32	114	123	95	86	14	14
AT-WGZ	Z	25 to 94	195	140	108	32	190	100	-	-	14	-



Gland Size X & Y



Gland Size Z



ARMOUR CLAMPS

Material: M.S. Zinc plated
Finish: Hot Dipped Galvanised to BS 729

CODE NO.	GLAND SIZE	DIMENSION IN MM		
		A	B	C
AT-AC-X	X	143	118	73
AT-AC-Y	Y	171	146	103
AT-AC-Z	Z	209	185	123



MANSION CLAMPS MALE/FEMALE STAND

Material: Brass

CODE NO.	PIPE SIZE
AT-MCS-15	15 MM
AT-MCS-22	22 MM
AT-MCS-28	28 MM
AT-MCS-35	35 MM
AT-MCS-45	45 MM
AT-MCS-54	54 MM



BOLIVAR CLAMPS

Material: Brass

CODE NO.	PIPE SIZE
AT-BC-15	15 MM
AT-BC-22	22 MM
AT-BC-28	28 MM
AT-BC-35	35 MM
AT-BC-45	45 MM
AT-BC-54	54 MM



HOSPITAL CLAMPS

Material: Brass

CODE NO.	PIPE SIZE
AT-HC-15	15 MM
AT-HC-22	22 MM
AT-HC-28	28 MM
AT-HC-35	35 MM
AT-HC-45	45 MM
AT-HC-54	54 MM



EARTH ENHANCING COMPOUND

- Non toxic content
- Resistivity less than 0.2 ohm - water
- It maintain conductivity without continuous presence of water
- Tested from NABL accredited lab

QUANTITY	NO. OF BAGS
25KG	1
15KG	1
5KG	1

BARE COPPER TAPES

ATCAB high conductivity bare copper tape is used on both lightning protection and earthing applications. It is annealed for ease of use and has radiused edges.

SIZE WxH MM	C.S.A. MM ²	WEIGHT PER METRE KG	STANDARD COIL SIZE M	PART NUMBER
25X3	75	0.67	25 Ø 50	ATC 253
25X6	150	1.33	40	ATC 256
31X3	93	0.83	50	ATC 313
31X6	186	1.65	30	ATC 316
50X3	150	1.33	40	ATC 503
50X6	300	2.68	10 Ø 20	ATC 506

BARE ALUMINIUM TAPES

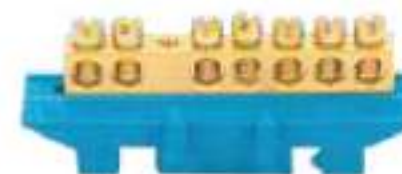
ATCAB bare aluminium tapes are used in lightning protection system applications. The aluminium is annealed for ease of use and has radiused edges.

SIZE WxH MM	C.S.A. MM ²	WEIGHT PER METRE KG	STANDARD COIL SIZE M	PART NUMBER
12.5 x 1.5	18.75	0.05		ATA 121
20 x 3	60	0.15		ATA 203
25 x 3	75	0.21		ATA 253
25 x 6	150	0.42	50	ATA 256
30 x 3	90	0.25		ATA 303
40 x 6	240	0.67		ATA 406
50 x 6	300	0.85		ATA 506

BARE G.I. TAPES

ATCAB bare G.I. Tapes are used in lightning protection system applications.

SIZE WxH MM	STANDARD COIL SIZE M	PART NUMBER
12.5 x 1.5		ATA 121
20 x 3		ATA 203
25 x 3		ATA 253
25 x 6	50	ATA 256
30 x 3		ATA 303
40 x 6		ATA 406
50 x 6		ATA 506



NEUTRAL LINK BAR WITH BASE

Neutral Links/Bars are used as an accessory in Panel Boards and Electrical Board in Industries like Electrical, Electronics and Telecommunications.

Material: Brass with PVC base

CODE NO.	WAY	SIZE
AT-NLB-7	7	9x5
AT-NLB-10	10	9x5
AT-NLB-13	13	9x5
AT-NLB-72	72	9x5
AT-NLB-144	144	9x5



EARTH BLOCKS

Brass Earth Blocks are useable Earth Conductors or Line Conductor termination with suitable, fully insulated housing.

Material: Brass

CODE NO.	WAY	TYPE
AT-EB-4S	4	Single
AT-EB-4D	4	Double
AT-EB-8D	8	Double



NEUTRAL LINK BARS

Bars have two M 10 hexagon head bolts, for 165 amp cable lugs. All tunnels are 6.0 mm in diameter with two screws and accommodate up to 16mm² 2 cables. Tunnels are all numbered.

Material: Brass with M5 and Brass Screw
Size: 6 Way to 108 Way

CODE NO.	DOUBLE SCREW TUNNELS	CROSS SECTION (MM)	MAIN STUDS	TUNNELS
AT-NL-6	6 Way	19 x 9.5	M 10	16 mm ²
AT-NL-9	9 Way	19 x 9.5	M 10	16 mm ²
AT-NL-12	12 Way	19 x 9.5	M 10	16 mm ²
AT-NL-18	18 Way	19 x 9.5	M 10	16 mm ²
AT-NL-24	24 Way	19 x 9.5	M 10	16 mm ²
AT-NL-30	30 Way	19 x 9.5	M 10	16 mm ²
AT-NL-36	36 Way	19 x 9.5	M 10	16 mm ²
AT-NL-42	42 Way	19 x 9.5	M 10	16 mm ²
AT-NL-48	48 Way	19 x 9.5	M 10	16 mm ²
AT-NL-60	60 Way	19 x 9.5	M 10	16 mm ²
AT-NL-72	72 Way	19 x 9.5	M 10	16 mm ²
AT-NL-84	84 Way	19 x 9.5	M 10	16 mm ²
AT-NL-96	96 Way	19 x 9.5	M 10	16 mm ²
AT-NL-108	108 Way	19 x 9.5	M 10	16 mm ²



GROUND PIPE CLAMPS

FEATURES

- Manufactured from cast copper alloy
- Supplied with Steel Screws, plated for corrosion resistance
- Provides maximum conductivity and strength
- Used to connect grounding conductors to water pipe, ground rods and copper water tubing

CODE No.	WATER PIPE SIZE	WIRE RANGE	
		MIN	MAX
AIEC1630DB	1/2" - 1"	10 SOL	2 STR
AIEC1630	1-1/4" - 2"	10 SOL	2 STR



GROUND LAY IN REBAR CLAMP

FEATURES

- Manufactured from cast copper alloy
- Supplied with stainless steel screws
- Suitable for direct burial
- Used to connect grounding conductors to water pipe, ground rods and copper water tubing or rebar.
- Provides maximum conductivity & strength

CODE No.	WATER PIPE SIZE	REBAR RANGE	SPLICE WIRE RANGE	WIRE RANGE	
				MIN	MAX
AIEC1620Z	1/2" - 1"	3/8" - 1"	8 SOL - 8 SOL	10 SOL	2 STR

GROUND CLAMPS FOR RIGID CONDUIT

FEATURES

- Manufactured from cast copper alloy
- Supplied with Steel Screws, plated for corrosion resistance
- Hub swing 360° for easy alignment
- Provides maximum conductivity and strength
- Used to connect grounding conductor rigid conduit to water pipe for grounding

FIGURE	CODE No.	WATER PIPE SIZE	HUB SIZE	WIRE RANGE	
				MIN	MAX
1	AIEC1621	3/8" - 1"	1/2"	10 SOL	4 STR
1	AIEC1622	1-1/4" - 2"	1/2"	10 SOL	4 STR
1	AIEC1623	2-1/4" - 4"	1/2"	10 SOL	4 STR
2	AIEC1621A	1/2" - 1"	3/4"	10 SOL	2/0 STR
2	AIEC1622A	1-1/4" - 2"	3/4"	10 SOL	2/0 STR
2	AIEC1623A	2-1/4" - 4"	3/4"	10 SOL	2/0 STR
2	AIEC1621B	1/2" - 2"	1"	10 SOL	3/0 STR
2	AIEC1622B	1-1/4" - 2"	1"	10 SOL	3/0 STR
2	AIEC1623B	2-1/4" - 4"	1"	10 SOL	3/0 STR

HEAVY DUTY GROUND CLAMP

FEATURES

- Manufactured from cast copper alloy
- Supplied with stainless steel screws
- Suitable for direct burial
- Provides maximum conductivity and strength
- Used to connect grounding conductors to water pipe, ground rods, copper water tubing or rebar

CODE No.	WATER PIPE SIZE	REBAR RANGE	WIRE RANGE	
			MIN	MAX
AIEC1625	1/2" - 1"	3/8" - 1"	8 STR	4/0 STR



HEAVY DUTY LAY IN GROUND CLAMP

FEATURES

- Manufactured from cast copper alloy
- Supplied with stainless steel screws
- Suitable for direct burial
- Provides maximum conductivity and strength
- Used to connect grounding conductors to water pipe, ground rods, copper water tubing or rebar

CODE No.	WATER PIPE SIZE	REBAR SIZE	WIRE RANGE	
			MIN	MAX
AIEC1626	1/2" - 1"	3/8" - 1"	8 STR	4/0 STR



TRANSFORMER GROUND CLAMPS

FEATURES

- Manufactured from cast copper alloy
- Nuts and lock washers are made of stainless steel

CODE No.	WIRE RANGE	
	MIN	MAX
AITC101	10 SOL	1 STR
AITC120	8 SOL	2/0 STR
AITC6250	6 SOL	250 MCM

WISE GRIP CLAMPS

FEATURES

- Manufactured from cast copper alloy
- Nuts and lock washers are made of stainless steel

CODE No.	WATER RANGE MINIMUM 2 CONDUCTORS	WIRE RANGE MINIMUM 2 CONDUCTORS
AVGC64	6 SOL	4 STR
AVGC42	4 SOL	2 STR
AVGC22	2 SOL	2/0 STR
AVGC14	1/0 SOL	4/0 STR



LAY IN CONNECTORS

FEATURES

- Manufactured from high strength extruded aluminium alloy
- Electro Tin Plated
- Provides low contact resistance
- Suitable for use with copper or aluminium conductors for grounding and continuous loop application

CODE No.	WIRE SIZE		SCREW TYPE
	MIN	MAX	
ALIC41	4	14	SLO
ALIC42	14	1/0	SLO
ALIC43	6	3/0	ALN
ALIC44	6	250	ALN





HOT LINE CLAMPS

Catalog No. Description	APGH29 Aluminium Type PGH-Center Bolt Parallel Groove Hot Tap Clamps for wire range Main AWG 2/0 Str. -8 Sol., Main ASCR 2/0-8 Active
Style	Type PGH - Center Bolt Parallel Groove Hot Tap Clamps
Material Conductor Range AWG Main Conductor Range AWG Tap	Bronze / Aluminium 2/0-8 2/0

FEATURES

Incorporates the superior design features of parallel groove clamps, time-proven for reliable performance. Wide temperature range lubricant prevents the seizing of protected threads. Tap wire positively secured to clamp during installation and removal by head bolt and Pressure pad. Main and tap clamped securely as the clamp is tightened.



CODE NO. STD PRE-FILLED	CONDUCTOR RANGE				CONDUCTOR DIAMETER				CENTER BOLTS			DIMENSIONS (in)		
	MAIN		TAP		MAIN		TAP		NO.	DIA	FIG	W	H	L
	ACSR	AWG	ACSR	AWG	MAX.	MIN.	MAX.	MIN.						
Aluminum Clamps APGH29	2/0-8 397.5-6	2/0 str.-8 sol.	1/0-8	1/0 str.-8 sol.	.447	.128	.398	.128	1	1/2	1	2 3/8	5 3/4	2 3/8
APCH4 APGH49	2/0-6 AR 874-4/0	450-4 sol.	3/0-6	4/0 str.-6 sol.	.701	.198	.528	.162	1	1/2	1	3 5/16	6 3/16	2 7/16
APGH69	397.5 13/1 1-2 AR 874-4/0	1000-4/0 str.	266-6	300-6 sol.	1.152	.522	.657	.162	2	1/2	2	4	6 3/4	4 1/4
APGH6129	397.5 13/1 1-2 AR	1000-4/0 str.	266-6	300-6 sol.	1.152	.522	.657	.162	1	1/2	3	3 5/8	6 3/4	3 1/16
Copper Clamps APGH3	APGH39	2/0 str.-8 sol.	-----	2/0 str.-8 sol.	.619	.419	.128	.128	1	7/16	1	2 3/8	5 1/4	1 1/4



HOT LINE CLAMPS

Catalog No. Description	ALC2018 Bronze Type ALC - Holt Line Clamps for wire range Main AWG 2/0-8 Active
Material Conductor Range AWG Main Conductor Range AWG Tap	Type HLC - Holt Line Clamps Bronze 2/0-8 2/0

FEATURES

Eye-bolt coated with high-temperature grease to ensure easy turning in all weather conditions.



CODE NO. STD PRE-FILLED	FOR WIRE COMBINATION	CONDUCTOR RANGE			
		MAIN		TAP	
		ACSR	AWG OR KCMIL	ACSR	AWG
Bronze - Body ALC2018	Copper to Copper General Purpose	-	2/0 - 8	-	2/0
Plated Bronze Body ALC2018P	General Purpose	2/0 - 6	2/0 - 8	2/0 - 6	2/0 - 8
Plated Aluminum Body ALC2018AP9	General Purpose	2/0 - 6	2/0 - 8	2/0 - 6	2/0 - 8
Bronze Body ALC3947	Copper to Copper	-	400 - 6 Sol	-	4/0 - 6 sol
Plated Bronze Body ALC3947P	General Purpose	-	400 - 6 Sol	3/0 - 6	4/0 - 6 sol
Plated Aluminum Body ALC3947AP	General Purpose	397.5 - 6	400 - 6 Sol	3/0 - 6	4/0 - 6 sol



A CLAMP (ROD TO TAPE CLAMP)

MATERIAL	COPPER ALLOY
MODEL	A-RT
ROD SIZE	16MM (CUSTOM SIZES AVAILABLE)
TAPE SIZE	2 (25 X 3 MM) (CUSTOM SIZES AVAILABLE)
WARNING LABEL	SAFETY ELECTRICAL CONNECTION DO NOT REMOVE SS 322 : 1987 NSI-A
APPROVAL REF	SS08CHM01025-06 508EEC00806



B CLAMP (ROD TO CABLE CLAMP)

MATERIAL	COPPER ALLOY
MODEL	B-RC 16-25, B-RC 50, B-RC 70
ROD SIZE	16MM (CUSTOM SIZES AVAILABLE)
CABLE SIZE	16-25, 50, 70MM ² (CUSTOM SIZES AVAILABLE)
WARNING LABEL	SAFETY ELECTRICAL CONNECTION DO NOT REMOVE SS 322 : 1987 NSI-A
APPROVAL REF	B9754/10



STRIKE PAD (COPPER ALLOY)

MATERIAL	COPPER ALLOY
DIAMETER	100MM
THREAD SIZE	5/8"
APPLICATION	AS AN EXPOSED ATTRACTIVE POINT ON ROOF OR SIDE OF BUILDING FOR HIDDEN/EMBEDDED CONDUCTOR

STRIKE PAD (ALUMINIUM ALLOY)

MATERIAL	ALUMINIUM ALLOY
DIAMETER	100MM
THREAD SIZE	5/8"
APPLICATION	AS AN EXPOSED ATTRACTIVE POINT ON ROOF OR SIDE OF BUILDING FOR HIDDEN/EMBEDDED CONDUCTOR

Application



Power Plants

Installations manufactured specially for Power Plants.



Marine Applications

Products designed for shipping industry, off-shore mining and drilling settings, etc.



Railway Industry

Cable glands designed specially for the railway industry and associated installations.



Industrial Glands

Used in hazardous environmental conditions.



Power and Utility Glands

Designed for power transmission, distribution and high-voltage electrical cables.



Oil and Gas Industry

Safety products for underwater oil and gas exploration.