



JINALI TECHNO SALES AND SERVICE

FOCUS ON CRUSHING AND SCREENING EQUIPMENT

Technical parameters and quotation plan



Stationary Crusher

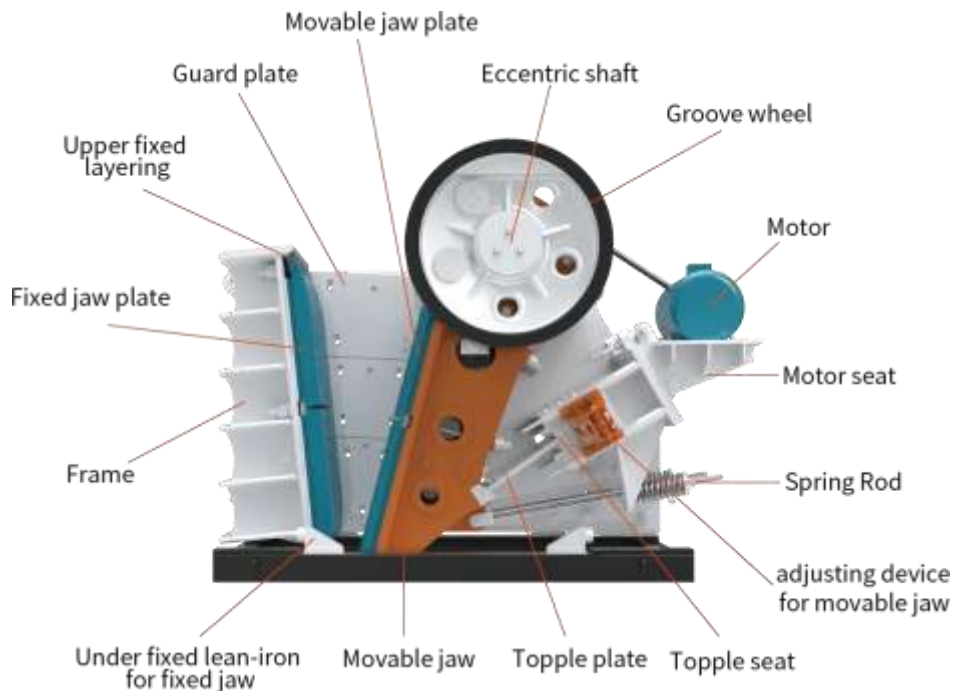


Tel : 91 79901 66421

Email : jinalitechno@gmail.com

Website : <https://jinalitechno.com/>

DC series high efficiency **European jaw crusher**



Advantages and Characteristics

- This series Europe-style jaw crusher has stable operation and long useful life. The discharge opening system is equipped with double wedge block to make the discharge size can be adjusted more easily and speedily, even if when machine is idling, it can be set to preset value in just a few minutes. With the support or screw system, automation is realized, so the discharge adjusting system and screw system is more simply, safer and quicker compared with traditional crusher whose adjusting system adopts shim.
- It adopts big centrifugal force and high crushing frequency design,so the bottom effective stroke is very big. It can produce more fine crushing material with small discharge production than other jaw crusher.

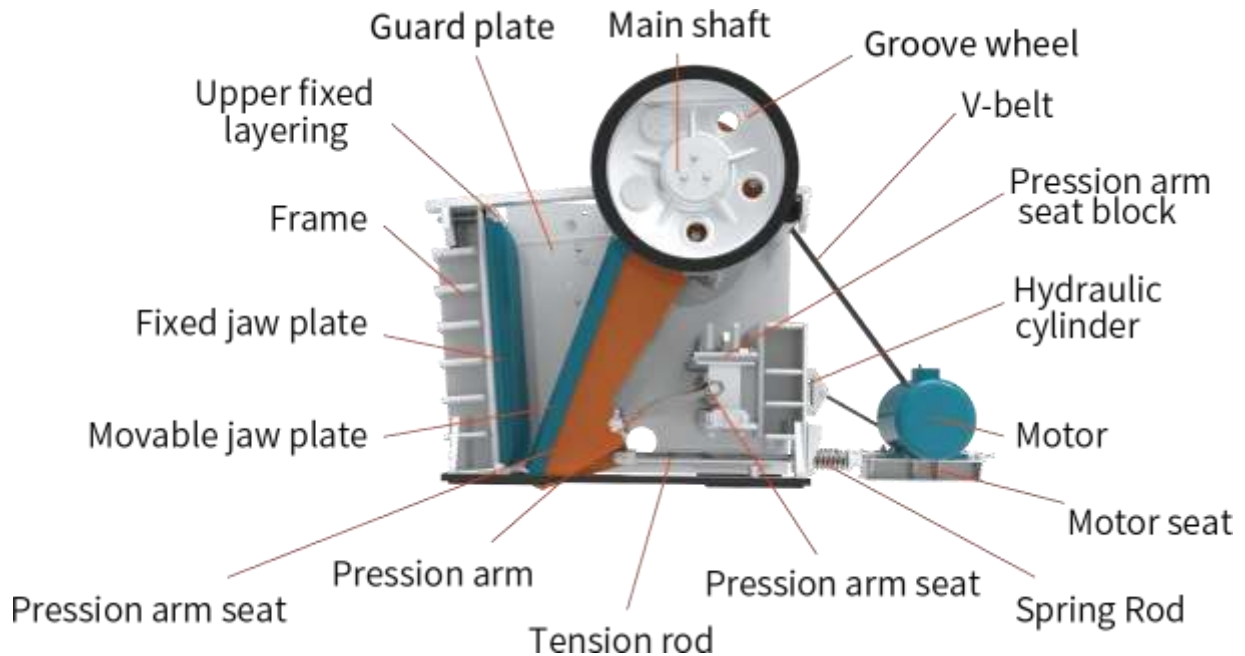
Technical **parameter**

DC High efficiency European style Jaw Crusher

Model	Size of feed opening (MM x MM)	Max.feed size (MM)	Capacity (T/H)	Eccentric shaft rotation speed (R/MIN)	Motor power (KW)	Closed side setting (MM)	Weight (t)
DC75	500 x 750	420	60-198	320	55-75	50-150	9.5
DC90	600 x 900	500	120-291	306	90	70-175	12.5
DC106	750 x 1060	630	199-446	270	132	90-200	23.5
DC125	950 x 1250	800	327-728	240	160	100-250	42.8
DC160	1200 x 1600	1000	581-1204	220	250	150-300	75

DC High efficiency European style Jaw Crusher is widely used in mining stone crushing, building aggregate production, residual construction material processing, water conservancy & hydropower, highway, railway, bridge and other industries.

PEW European style jaw crusher



Advantages and Characteristics

- This jaw crusher with Hydraulic Closed side setting. Can easily, quickly and precisely make the CSS adjustment.
- The fabricated frame with annealing treatment , making the machine sturdy and durable.
- This machine has a large and deep crushing cavity, and the designed crushing angle is an acute angle, so a very large crushing ratio can be achieved.

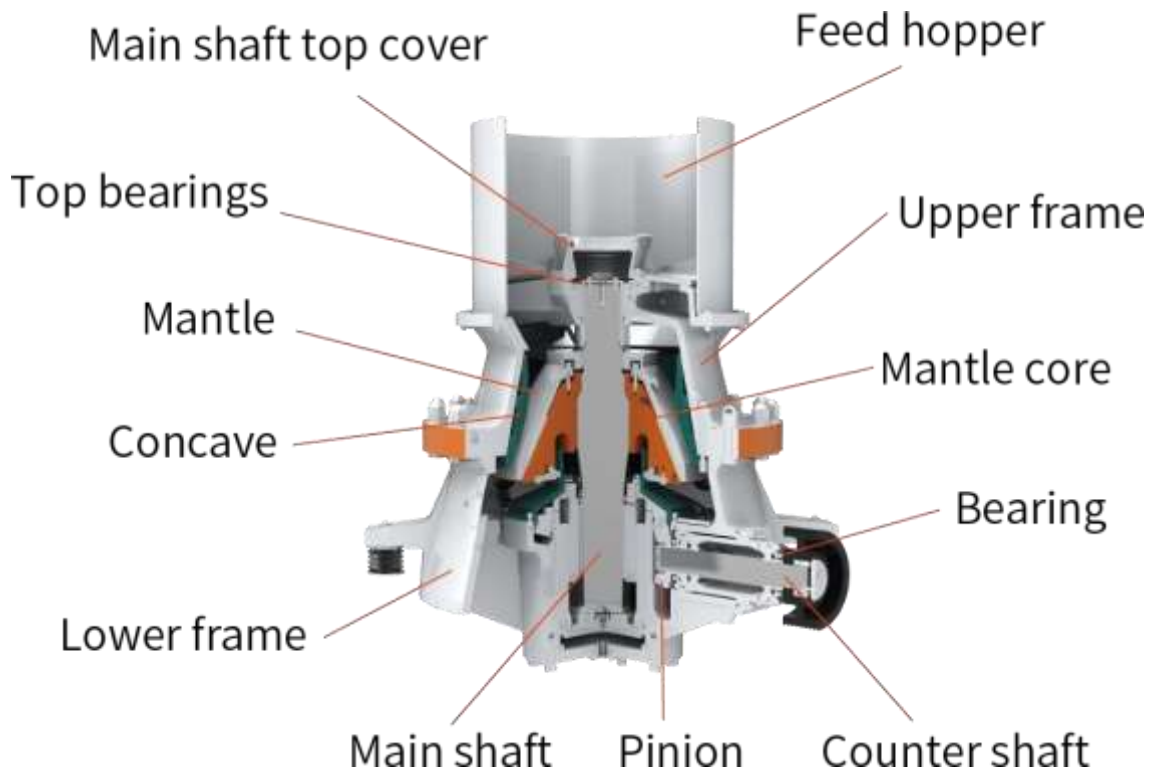
Technical parameter

PEW European style jaw crusher

Model	Size of feed openinga (MM)	Speed (R/M)	Max. feed size (MM)	Motor power (KW)	Capacity (T/H) Closed side setting (MM)						
					100	125	150	200	225	250	300
PEW-4 230	1060x750	230	630	90-110	180	210	237	294	350		
PEW-4 836	1200x900	200	760	110-160	210	250	280	320	402		
PEW-4 840	1200x1000	200	850	132-160		265	302	370	480		
PEW-6 048	1500x1200	190	1000	185-250			415	520	580	660	750

PEW European jaw crusher is widely used in Quarry and Mining. With simple design and sturdy structure, it's a high-efficiency and high-return machine.

DCS/DCH single cylinder hydraulic cone crusher



Advantages and Characteristics

- The large diameter main shaft and heavy duty mainframe ensures a sturdy and durable machine. Multiple available cavities variable stroke, and multi swing frequency, offer different discharging opening sizes for various product ranges.
- Adjustment of CCS is made quickly and hydraulically, and these machines offer a higher rate of production when compared to other similar sized units.
- The low head design profile, minimal maintenance requirement consistent reliability, and overall light weight factor makes these machines ideally suited for mobile crushing plant configuration.

Technical parameter

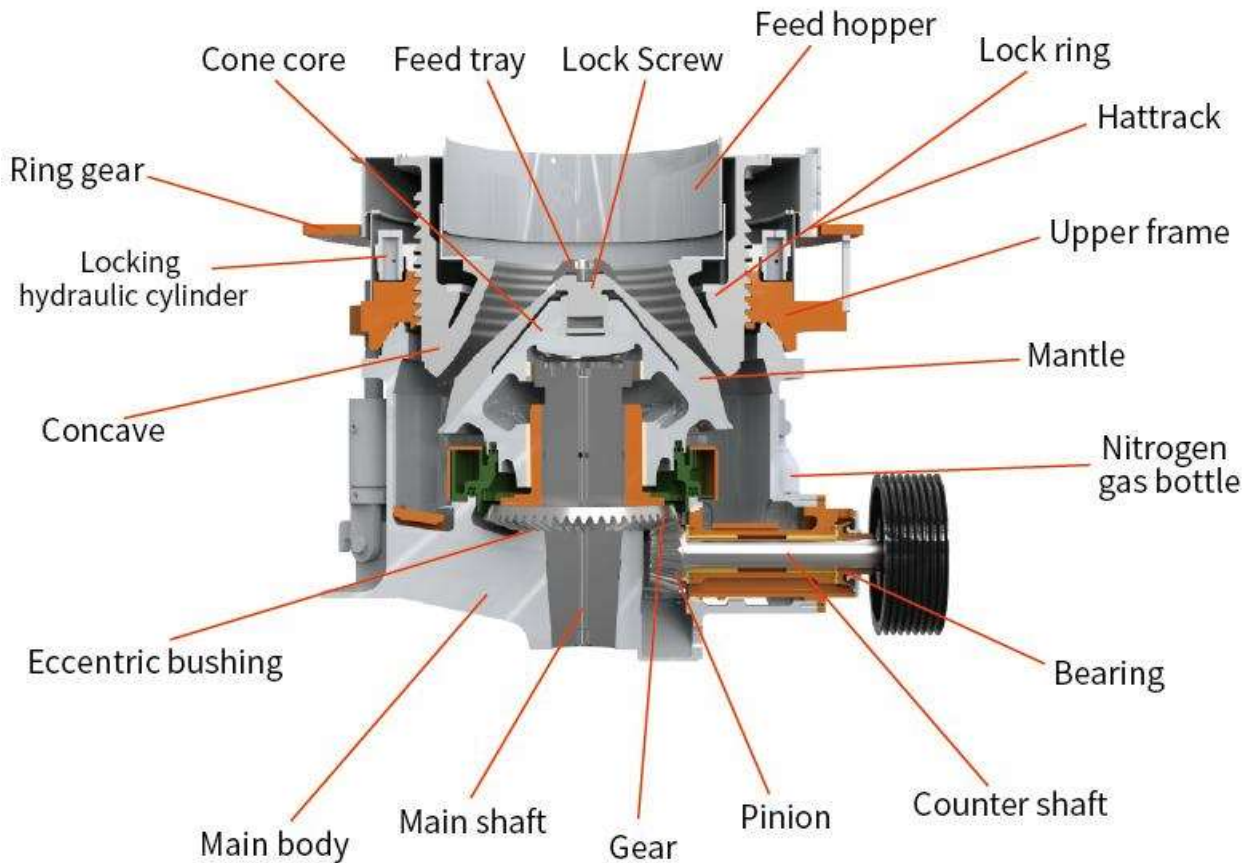
Mo del	Motor power (KW)	Max. feed size (MM)	Cavity type	Capacity at Min . Closed side setting (t/h) (T/H)													
				8	10	13	16	19	22	25	32	38	44	51	57	64	70
DCH 250	220-250	215	EC				114-200	122-276	131-294	139-313	159-357	175-395	192-384				
		175	C			101	109-218	117-292	125-312	133-332	151-378	167-335	183-229				
		140	MC			97-122	105-262	113-282	120-301	128-320	146-328	161-242					
		110	M			117-187	126-278	136-298	145-318	154-339	176-281	194					
		85	MF		114	124-227	134-245	144-263	153-281	163-299	186-248						
		70	F	90-135	96-176	104-191	112-206	120-221	129-236	137-251	156-208						
		38	EF	100-125 with 80% finer than 6-7.5 mm													
DCH 315	280-315	275	EC				177	190-338	203-436	216-464	246-547	272-605	298-662	328-511			
		245	CX				174-194	187-374	200-488	212-510	242-582	268-654	293-521	323-395			
		215	C				171-190	184-367	196-480	209-510	238-582	263-643	288-512	317-353			
		175	MC				162-253	174-426	186-455	198-484	226-502	249-499	273-364				
		135	M				197-295	211-440	226-470	240-500	274-502	302-403					
		115	MF			192	207-369	222-396	237-423	252-450	287-451	318-363					
		85	F			195-304	210-328	225-352	241-376	256-400	292-401	323					
		65	EF			211-293	227-316	244-298	261-290								
DCH 500	500-550	300	EC					448-588	477-849	544-968	601-1071	658-1172	725-1291	782-1393	849-1512	906-1331	
		240	C				406	433-636	461-893	525-1018	581-1125	636-1232	700-1357	756-1464	820-1461	876-1286	
		195	MC				380-440	406-726	432-837	492-954	544-1055	596-1155	657-1272	708-1373	769-1370	821-1206	
		155	M				400-563	428-786	455-836	519-953	573-1054	628-1154	692-1271	746-1372	810-1248	865-1098	
		100	MF				379-424	407-563	434-765	462-814	527-928	528-942	638-789	702			
		90	F			357-395	385-656	414-704	442-752	470-800	535-912	592-857	649-718				
		80	EF		280-405	304-517	328-558	352-598	376-639	400-680	455-775	503-728	551-669				

DEDICATED IN CRUSHING AND SCREENING

Model	Motor power (KW)	Max. feed size (MM)	Cavity type	当破碎机调节到最小排料口处理能力 (T/H)											
				25	29	32	35	38	41	44	48	51	54	60	64
DCS250	220-250	450	EC				267	282-353	298-448	313-563	334-601	349-524	365-456		
		400	C		225	239-299	254-381	269-484	284-511	298-448	318-398	333			
		300	MC	195	214-267	228-342	242-435	256-461	270-486	284-426	303-378	317			
DCS315	315-355	560	EC						349	368-460	392-588	410-718	428-856	465-929	489-978
		500	C					318	336-420	353-618	376-753	394-788	411-823	446-892	469-822

DCS/DCH Single Cylinder Hydraulic Cone Crusher is the most recent Cone Crusher to be designed by DongMeng, and incorporates the latest technology from Sweden to improve crushing action and production. The machines features include, large output capacity, with consistently good product shape. The discharge setting adjustment is easily made, and replacement of wear parts is quick, thereby reducing downtime. These efficient machines are widely used in medium and fine crushing applications.

DHP Multi-cylinder hydraulic cone crusher



Advantages and Characteristics

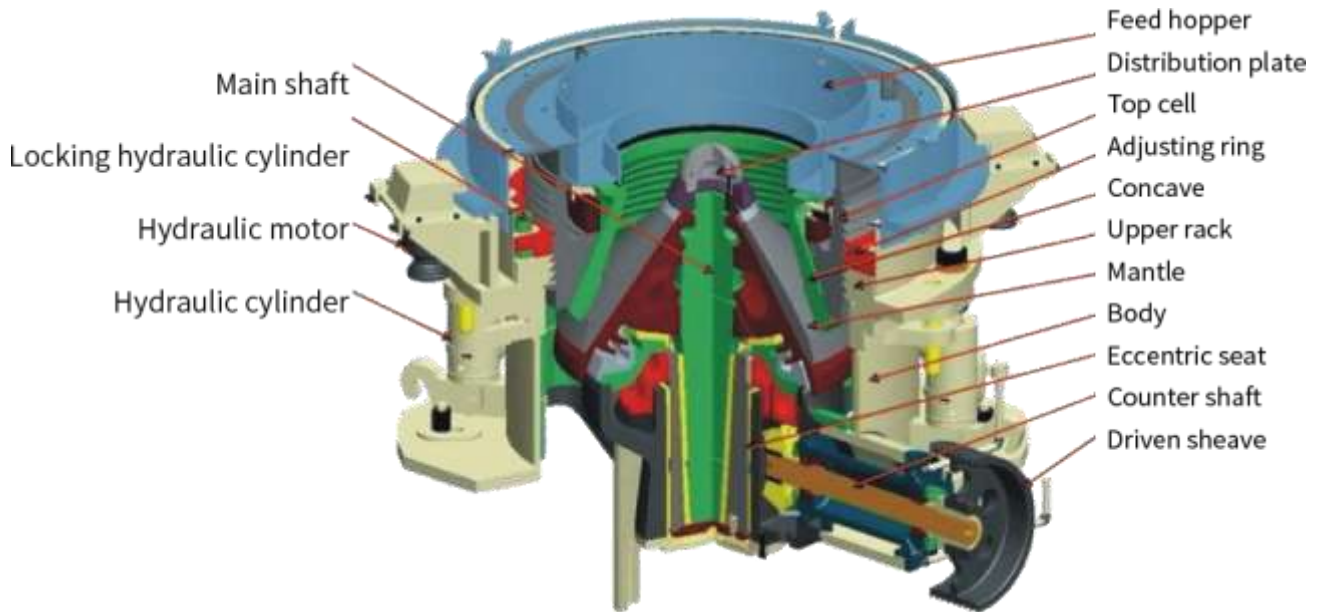
- Brake adjustment operation is more convenient: by controlling the hydraulic oil station, the automatic control and adjustment of the machine can be realized and the operation procedure can be simplified.
- Intelligent design high efficiency: intelligent design, digital display of crushing state and equipment operation, programmed control, fault alarm, automatic adjustment of oil pressure, intuitive observation, convenient adjustment.
- In the case of instant iron sealing in the process of use, there is no need to dismantle the machine, only using the hydraulic device can automatically discharge the fault in the crushing chamber.

Technical parameter

DHP Multi-cylinder hydraulic cone crusher

Model	Cavity type	Max. feed size (MM)	Range of discharge port (MM)	Motor power (KW)	Capacity (T/H)									重量 (T)
					Closed side setting (MM)									
					13	16	19	22	26	32	38	45	51	
DHP200	C	185	22-38	160	95	118	140	163	180	210	225	200	180	10.9
	M	125	16-32											
	F	95	13-26											
DHP300	EC	230	26-51	220	110	135	165	195	230	270	320	370	400	17.8
	C	221	22-45											
	M	150	16-38											
	F	107	13-32											
DHP400	EC	300	32-51	315	198	210	260	300	365	420	480	520	25	
	C	250	26-51											
	M	200	22-45											
	F	120	16-38											
DHP500	EC	335	32-51	400	285	305	335	378	460	560	615	715	34.1	
	C	280	26-51											
	M	210	22-45											
	F	133	16-38											
DHP800	EC	355	32-63	600	480	520	610	690	720	800	900	1028	1200	69
	C	305	32-51											
	M	260	26-45											
	F	210	22-38											

DHY Hydraulic Cone Crusher



Advantages and Characteristics

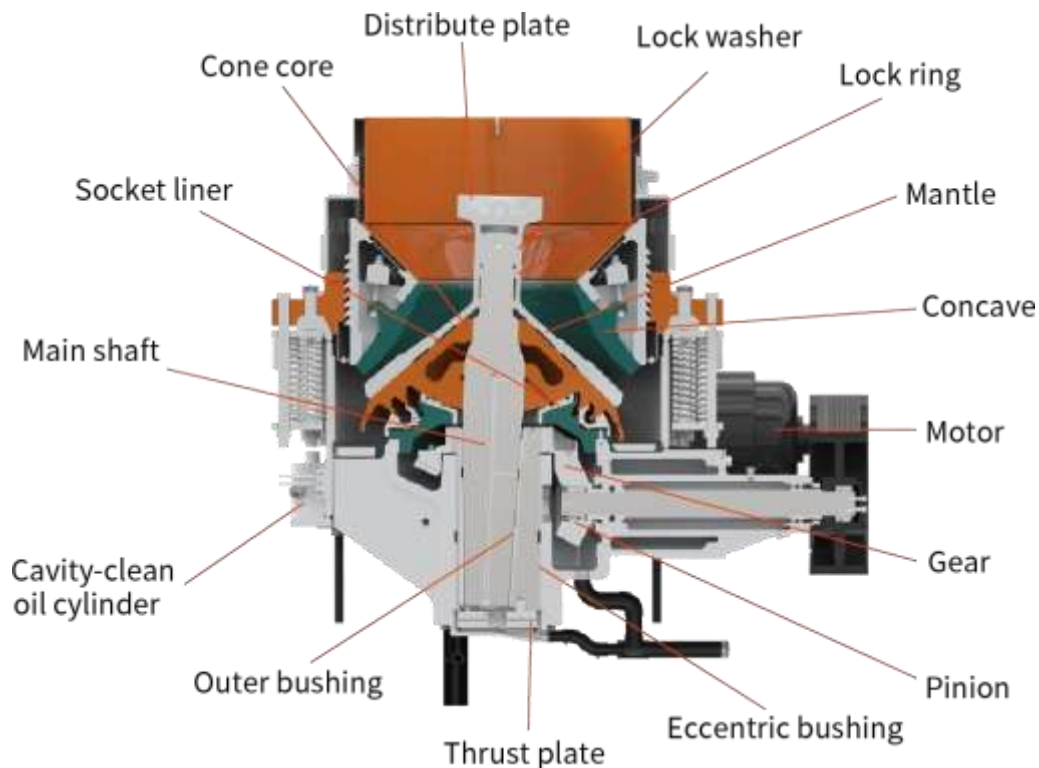
- When compared to a conventional spring cone crusher. These machines have a wide variety of CSS and can be configured to operate with Fine or Coarse cavities. All machines are fitted with digital electronic control systems which include operation data, alarms, and hydraulic CSS adjustment and tramp iron clearance function. A multipoint hydraulic lubrication system ensures thorough protection of all bearings and components, ensuring long and reliable operation.
- The machine does not need to be disassembled in the event of instant iron failure, and it can use the hydraulic device to automatically separate the object from the rupture cavity.
- This machine has multiple functions, adjusting the mounting position of parts and replacing some wear parts, the model can be adjusted to three types of coarse, medium and fine.

Technical parameter

DHY Hydraulic Cone Crusher

Model	Cavity type	Max. feed size (MM)	Range of discharge port (MM)	Motor power (KW)	Capacity (T/H)									
					Closed side setting (MM)									
					10	13	16	19	22	25	32	38	51	64
DHY1 680	C	267	22	280-315					345	410	495	550	685	760
	M	203	16				240	280	315	345				
	F	140	13			195	235	275	355					
	EF	95	10		185	225	265	340						
DHY2 060	C	330	25	400-500						600	820	950	1050	1200
	M	250	19				420	480	560	780				
	F	160	16				390	455	520	600				
	EF	115	13		320	395	460	540						
DHY2 160	C	400	32	400-500							1125	1350	1650	1800
	M	300	25						800	1050	1200	1400		
	F	180	19				500	650	720	850				
	EF	130	160			450	550	680	750					
DHY2 580	C	470	32	500-600							1400	1650	1900	2100
	M	350	25						1000	1250	1400	1600		
	F	200	19				600	680	790	900				
	EF	145	16			520	610	370	810					

DMC Compound Cone Crusher



Advantages and Characteristics

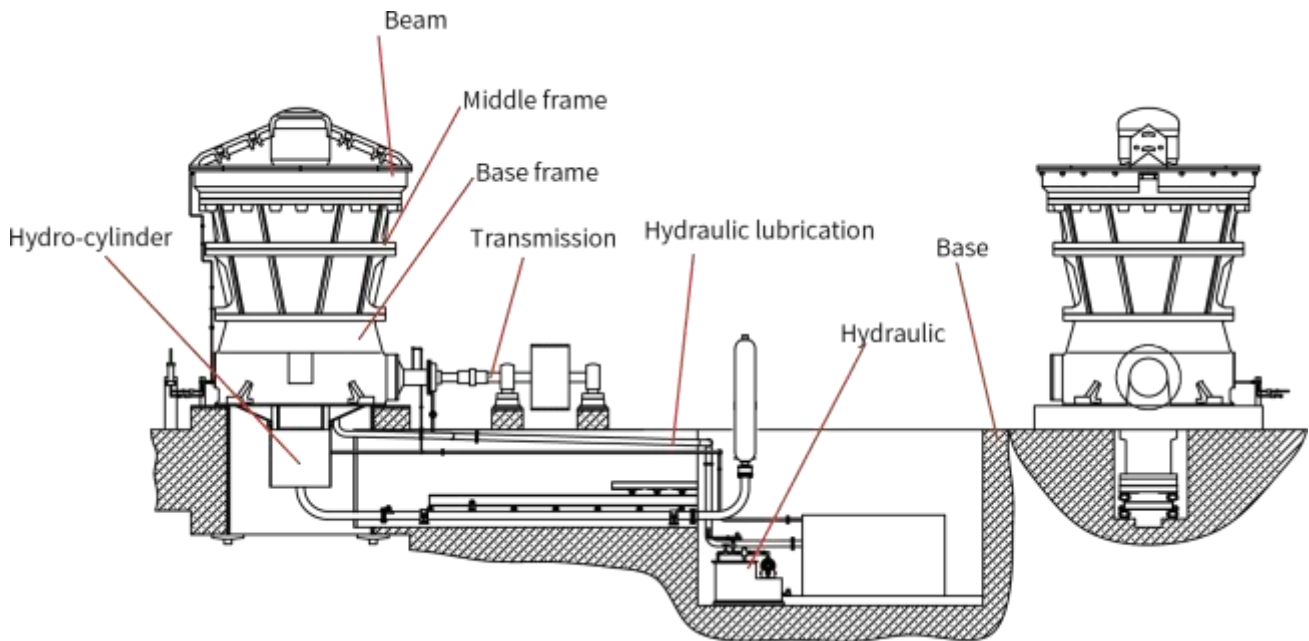
- Widely used in the Quarrying and Mining industries, the DMC Crusher is the result of utilizing part of the World famous Symons Gyratory design, enhancing the crushing chamber to result in more crushing and less grinding action, and introducing a hydraulically operated cavity clearance system to clear blockages. The machines are available in model sizes of 1000mm, 1160mm, 1300mm, 1380 zmm, 1650mm, and 1950mm. All models are available to be fitted with crushing cavities of Extra Fine, Fine, Medium, or Coarse.

Technical parameter

DMC Compound cone crusher

Model	Cavity type	Max. feed size (MM)	Min discharge opening (MM)	Motor power (KW)	Capacity (T/H)										Weight (T)
					Closed side setting (MM)										
					6	10	13	16	19	22	25	38	51	64	
DMC1000	C	160	13	110			80	100	135	150	175	235			10.8
	M	115	10			65	75	90	120	135	150				
	F	80	8		52	62	72	78	115					10.51	
	EF	50	6		50	55	65	70	102						
DMC1160	C	180	13	132			115	135	150	180	200	260			15.5
	M	130	10			100	110	120	135	165	175				
	F	90	10		80	105	110	140						15.5	
	EF	60	6		60	74	105	110	130						
DMC1300	C	200	16	200				150	180	200	230	310	390		22.3
	M	150	13				115	140	160	190	210				
	F	102	10		90	115	145	160						22.3	
	EF	70	8		88	110	135	155							
DMC1380	C	215	19	220					200	220	260	350	440		26.3
	M	160	16					155	180	200	220				
	F	115	13				150	190	210	230				26.3	
	EF	76	8		122	148	185	200							

DXF Gyratory Crusher



Advantages and Characteristics

- Unique deep crushing and long feeding port design, smooth feeding, continuous crushing, large processing capacity, high crushing efficiency, large crushing ratio, uniform grain size of finished products, convenient maintenance and other advantages, less liner wear and low cost.
- The balance cylinder system has the function of preventing the main shaft from jumping. In case of overload, it can automatically lower the main shaft to avoid the impact of the main shaft jumping on the equipment when the equipment enters the super large material, so as to ensure the safe and stable operation.
- The high-strength super heavy-duty frame, integral body shaft and high-performance bearing ensure the long service life and more safe and reliable operation under various harsh conditions.

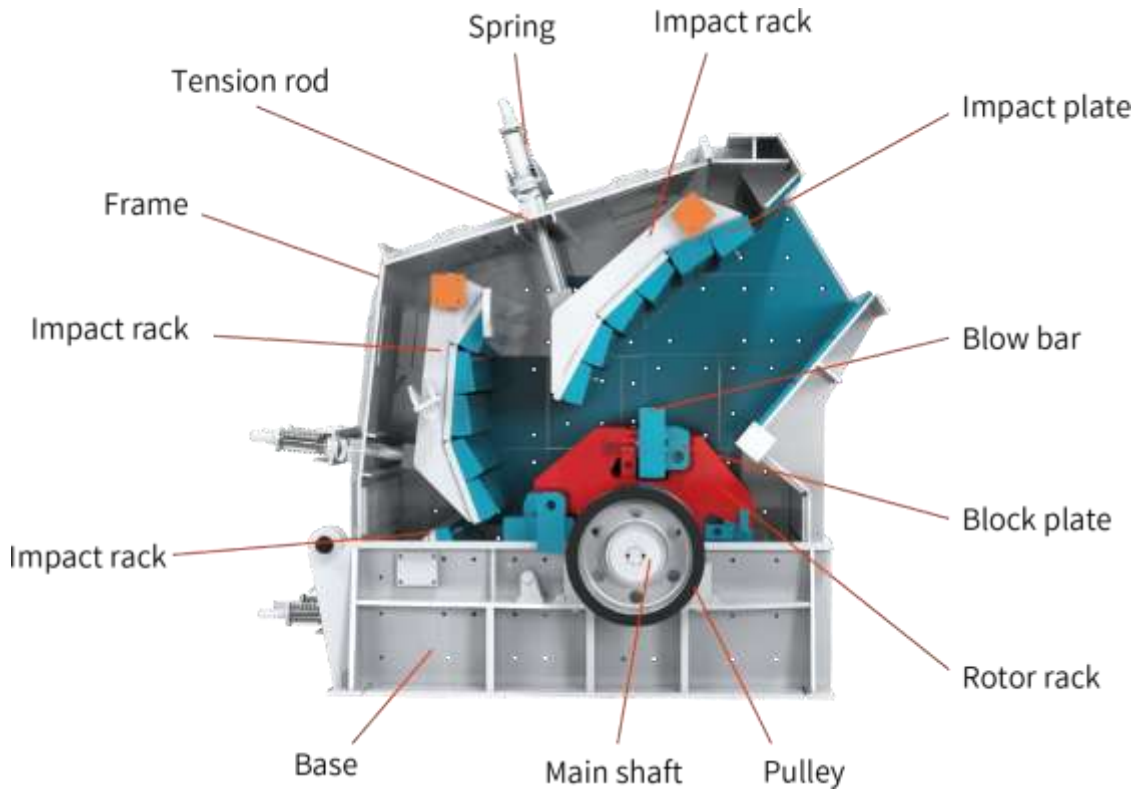
Technical parameter

DXF Gyrotory crusher

Model	Size of feed opening (MM x MM)	Max.feed size (MM)	Capacity (T/H)	Motor power (KW)	Closed side setting(MM)	Dimension (MM)
DXF4265	1065	900	2015-2875	400	140-175	3940 x 4170 x 6900
DXF5065	1270	1050	2400-2940	400	150-750	4460 x 4430 x 7610
DXF5475	1370	1150	2890-3490	450	150-200	4930 x 4925 x 8410
DXF6275	1575	1350	2895-4335	450	150-200	5580 x 5250 x 9090
DXF6089	1525	1300	4200-5810	630	165-230	5590 x 5445 x 10470
DXF60110	1525	1300	5540-8895	1250	175-250	6200 x 5940 x 11390

DXF series Gyrotory crusher is a new type of primary crushing equipment with large capacity and intelligent, which integrates mechanical, hydraulic, electrical, automation and intelligent control technology. Compared with the traditional Gyrotory crusher, DXF Gyrotory crusher has higher crushing efficiency, low cost and convenient maintenance and adjustment, which can provide intelligent large capacity primary crushing solution to users.

PF Impact Crusher



Advantages and Characteristics

- PF Impact Crushers generally form a cubical shaped product, and are an efficient machine in producing aggregates, and generating fines. Featuring a 4 rows blow bar balanced rotor assembly, these machines offer smooth operation. Access to blow bar and impact plates is made easy by the hinged opening of the main frame. A hydraulic opening facility is included on the larger machines. The blow bars are reversible, and the product size can be controlled by adjusting the clearance between the blow bars and the impact racks.

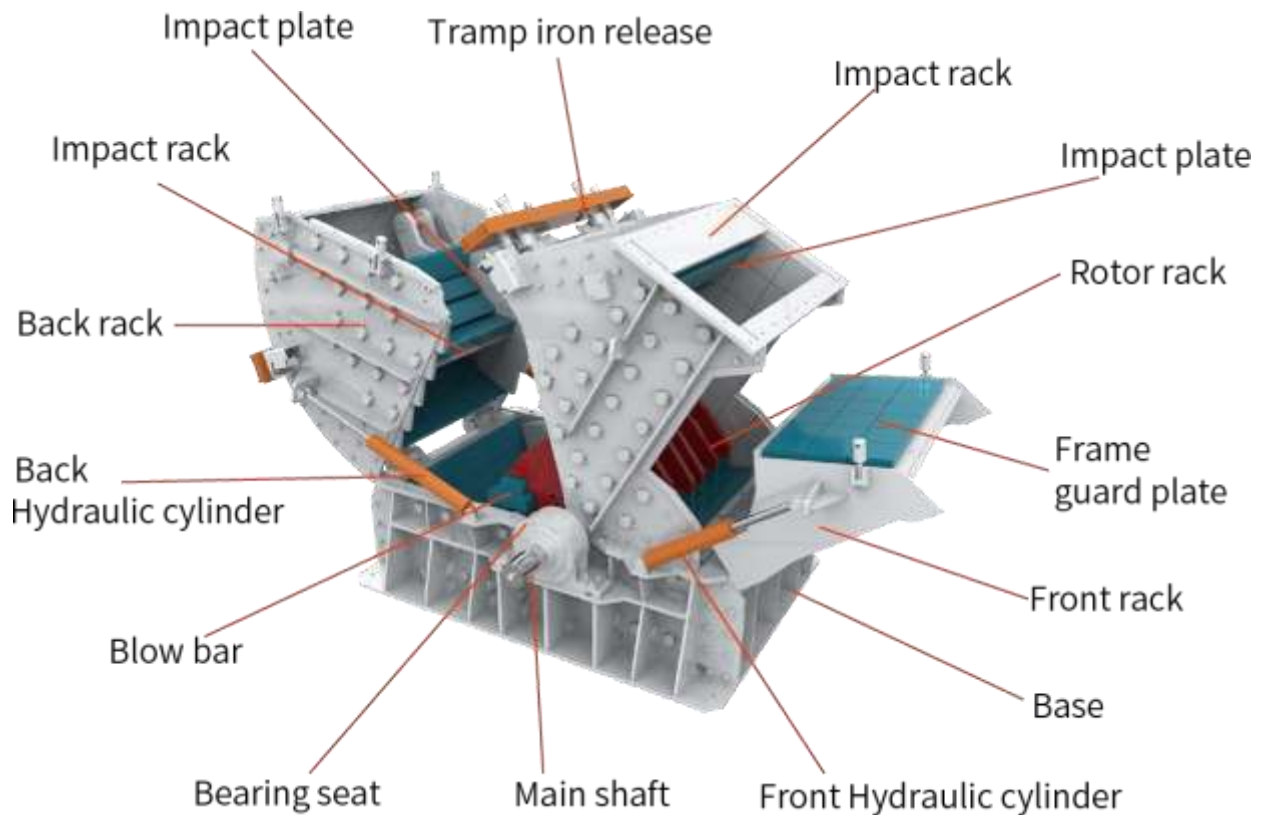
Technical parameter

PF Impact crusher

Model	Size of feed opening (MM x MM)	Max.feed size (MM)	Capacity (T/H)	Motor power (KW)	Weight (T)	Dimension (MM)
PF-1007	820 X 700	300	24-45	55	9.5	2400 X 1558 X 2660
PF-1010	1170 X 720	300	50-80	75	10	2538 X 2037 X 2713
PF-1210	1090 X 465	350	80-130	110	14	2638 X 2037 X 2713
PF-1214	1440 X 560	350	100-160	132	18	2580 X 2400 X 2810
PF-1315	1532 X 560	350	140-200	200	19.3	2840 X 2748 X 2667
PF-1316	1690 X 859	350	150-220	200	19.5	3096 X 2850 X 2667
PF-1515	1580 X 696	350	220-280	280	28.5	3553 X 2835 X 3277
PF-1620	1240 X 2000	500	300-500	280 X 2	50	4000 X 3750 X 3950
PF-1820	1500 X 2050	500	550-860	630	90	4260 X 3550 X 33640

Widely used in the Quarrying and Mining industries, the PF Impact Crusher is designed for operation in a variety of materials from soft to medium hard rock. These machines feature a 4 blow bar rotor assembly, and 2 or 3 adjustable impact racks with multiple impact plates.

PFW European style impact Crusher



Advantages and Characteristics

- PFW impact crusher is widely applied in metallurgy, building materials, chemical industries. They are ideal for crushing medium hard brittle materials of coarse, secondary and fine crushing stages, such as limestone, dolomite, sandstone, graphite, rock salt, granite and basalt. With high crushing ratio, unequalled output, uniform production size, compact process, simple construction, easy operation and maintenance.

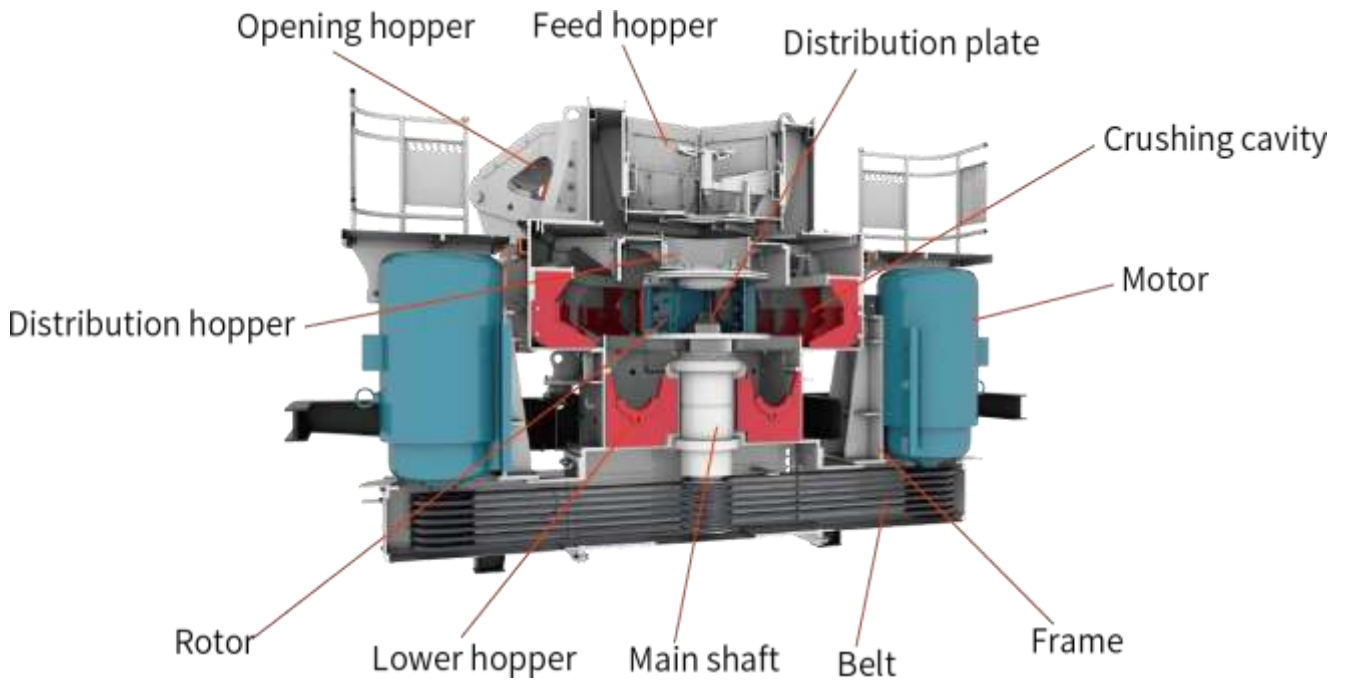
Technical parameter

PFW European style impact crusher

型号	Rotor diameter (MM)	Rotor length (MM)	Max.feed size (MM)	Capacity (T/H)	Motor power (KW)	Weight (T)	Dimension (MM)
PFW-1007	820 X 700	1340	200	160-220	132-220	19.8	3210 X 2730 X 2545
PF-1010	1170 X 720	1500	300	250-350	280-315	30	3200 X 3082 X 3036
PF-1210	1090 X 465	1800	350	440-600	220 X 2	40.2	3447 X 3790 X 3160

PFW impact crusher is widely applied in metallurgy, building materials, chemical industries. They are ideal for crushing medium hard brittle materials of coarse, secondary and fine crushing stages, such as limestone, dolomite, sandstone, graphite, rock salt, granite and basalt. With high crushing ratio, unequal output, uniform production size, compact process, simple construction, easy operation and maintenance.

DVSI High efficiency vertical shaft **impact crusher**



Advantages and Characteristics

- Widely used in the Quarrying and Mining industries, the DVSI High Efficiency Vertical Shaft Impact Crusher is commonly used in the production of sand or other fine material, These machines have been designed and built using the latest German research results, and have become very advanced high production sand making machines. There are 6 types of machines in the series, with capacities ranging from 100 TPH up to 580 TPH

Technical parameter

DVSI High efficiency vertical shaft impact crusher

Model	Rotor Speed (MM x MM)	Rotor diameter (MM)	Max.feed size (T/H)	Motor power (KW)	Capacity (T/H)	Weight (T)	Dimension MM)
DVSI75	1740	730	35	200	100-180	9.7	4180 X 2180 X 2690
DVSI80	1740	730	35	250	150-220	9.8	4180 X 2180 X 2690
DVSI85	1630	850	40	160 X 2	250-350	16.5	5200 X 2620 X 3040
DVSI95	1630	850	40	200 X 2	300-450	17.5	5200 X 2620 X 3040
DVSI110	1400	1000	40	250 X 2	400-500	19.5	5200 X 2620 X 3040
DVSI120	1200	1200	50	315 X 2	450-580	23.1	5700 X 2980 X 4190

The DVSI High Efficiency Vertical Shaft Impact Crusher has very good product shaping characteristics, while incurring minimal wear rates, and less power consumption than other machines. The machines come with an oil lubrication system and a hydraulic opening cover device to gain access to the crushing cavity for repairs or replacement of parts as required.

Company Introduction

JINALI TECHNO SALES AND SERVICE is a high technology company specializing in exporting large



crusher , screen and crawler mobile crushing and screening plants for more than ten years.

The company has more than 18 sales and service partner in all over the world. The company has set up offices in major cities in India, equipped with engineers with rich practical experience.

We specialize in providing high quality stone crusher for construction, mining and quarrying applications.

Our extensive range of crushers is designed to crush different types of stones, including granite, limestone, basalt, gravel and more to meet your specific needs.

Business **advantage**

Service promised

Ensure that the equipment is high-yield, efficient and low-cost during operation, create greater value for customers, and ensure customer return on investment. Shanghai Dongmeng's professional quality and high-quality service have been recognized by more than 5000 customers at home and abroad.



Strength Dongmeng

With a team of more than 200 middle and high vocational technical engineers, relying on pioneering entrepreneurial spirit, unremitting pursuit of product excellence.



Working sites



Success case

5000t/d basalt crushing line in Malaysia



Case location

Malaysia

Raw Material

Basalt

Yield

5000t/d

The customer has been working in quarry for a long time. Due to market demand, the company planned to expand its production scale and to start a new stone crushing line. Finally, through a trading company, the customer came to our factory for visiting. The customer was satisfied with the technical strength and manufacturing art, reliable equipment quality and high- quality service of our company. Finally, the customer chose to cooperate with us.

Success case

600t/h Granite Sand making line in Uganda



Case location

Uganda

Raw Material

Granite

Yield

600t/h

Checking our details of Granite crushing introduction from website, the client inquired to us. After sending engineer visiting the client's working site, we did reasonable design of Granite crushing plant and closed the deal with a competitive price.

Success **case**

20000t/d Limestone crushing plant in Nigeria



Case location

Nigeria

Raw Material

Limestone

Yield

20000t/d

After defeating several peer mining machine manufactures, We won trust of the client's favor. The whole crushing plant surpass the client's expectation, and bring supreme fortune to the end user.

Success case

1000t/h tuff crushing plant in Ghana



Case location

Ghana

Raw Material

Tuff

Yield

1000t/h

We have many crushing lines running in Africa, very familiar with the local quarry operation. Combining our rich experience and the client's special requirements, we set up this 1000t/h tuff crushing plant through the ways of machines' model election, equipments transportation, installation, commissioning and etc in a high level.





JINALI TECHNO SALES AND SERVICE

FOCUS ON CRUSHING AND SCREENING EQUIPMENT



Tel : +91 79901 66421

Email : jinalitechno@gmail.com

Web ; <https://jinalitechno.com/>



**FEDERATION OF INDIAN
EXPORT ORGANISATIONS**
Set up by Ministry of Commerce, Government of India
ISO 9001:2015 Certified

