

ISO 9001:2015



**PUNE CEMENT**  
ARTICLE COMPANY



- ✓ Easy installation
- ✓ Time Saver
- ✓ High Strength
- ✓ Reusable

#### CEMENT ARTICLES

- R.C.C. Prefab Wall
- Precast Compound Wall
- Fencing Pole
- Manhole Cover
- Kerb Stone etc.

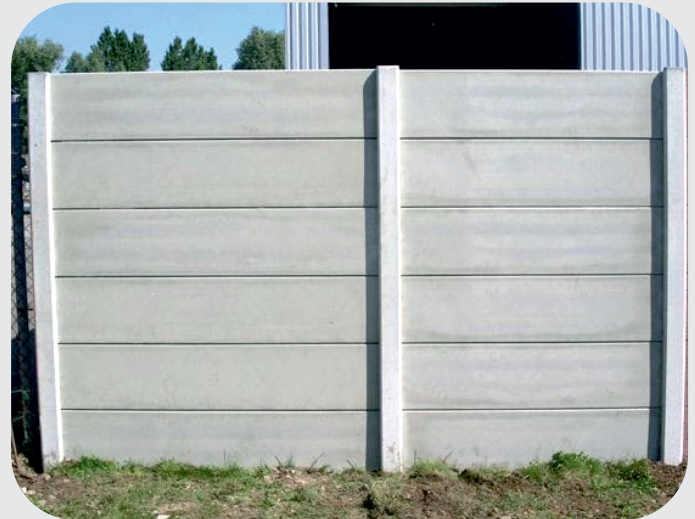
☎ 9696 646 920 / 9011 98 4410  
Punecementarticle8873@gmail.com  
[www.punecementarticle.com](http://www.punecementarticle.com)

**PUNE CEMENT**  
ARTICLE COMPANY

Sr. No. 5/12 Near The Vatsalya School  
Wadachi Wadi Undri Road  
Wadachi Wadi, Pune 412308

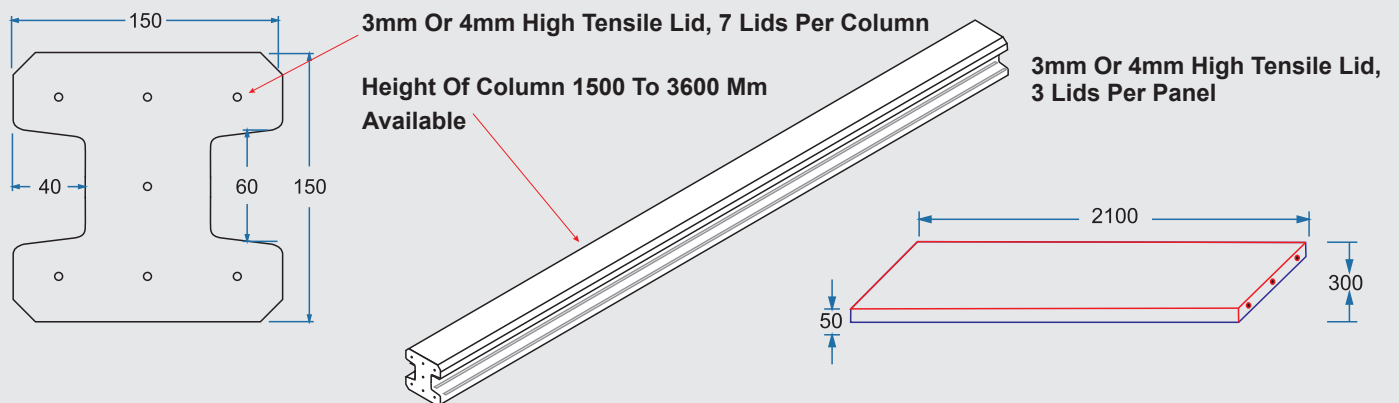


**Precast Concrete Walls Are Gaining Popularity Due To Their Numerous Advantages.**



- **Aesthetic Appeal**
- **Cost Effective**
- **High Strength**
- **Fire And Sound Resistance**

### **Precast Compound Wall**



- **Quality And Precision**
- **Reduces Noise And Dust Pollution**
- **Safety And Protection**
- **Profitability**



## Types Of Precast Items We Supply

- 1 Precast Compound Wall
- 2 Precast U Shape Gutter
- 3 Sfrc Precast Chamber Cover With Frame
- 4 Precast Trench Cover
- 5 Rcc Kerbstone
- 6 Rcc Road Divider
- 7 Rcc Garden Bench

- 8 Fencing Pole
- 9 Rcc Door Frame
- 10 Rcc Tree Guard
- 11 Rcc Bolard
- 12 Rcc Bulister
- 13 Rcc Grill

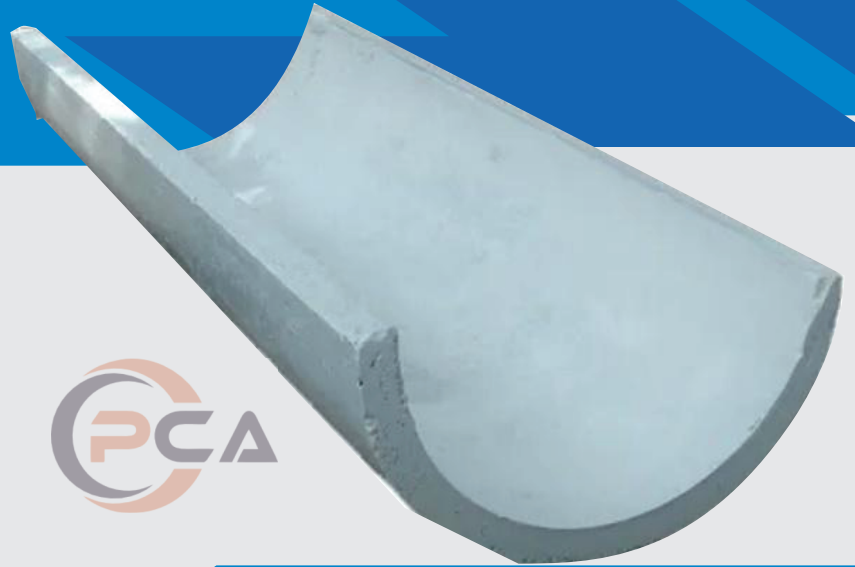




Rcc Bulister



Rcc Tree Guard



Rcc Half Round Pipe

