

Raghav Aggarwal

**Manufacturer,
Exporter & Supplier**

**Year of
Establishment
1980**

Broadway Foundry & Engineering Works was founded in the year 1980 in Punjab, India. The company is Manufacturer and Exporter of high grade Industrial Processing Machinery. All the affairs of the company are managed under the guidance of Mr. Budhish Aggarwal, the CEO. Here are the few highlights that depict our credibility in the national and international markets.

Manufacturing unit :

We have a vast manufacturing unit, which is furnished with all the necessary tools involved in the production process. Consequently, we can successfully produce machines in bulk quantities that ultimately help us to meet the immediate requirements of the clients.

Clientele :

We are a customer-centric organization due to which we have attracted a huge lot of customers belonging to different industrial sectors. The list of our prestigious clients is as follows :

- ◆ Bharat Heavy Electricals Ltd.,CFFP, Haridwar
- ◆ Bharat Heavy Electricals Ltd.,HEEP, Haridwar
- ◆ Mazagon Dock Ltd., Mumbai
- ◆ Star Wire (I) Ltd., Ballabgarh.
- ◆ Bharat Heavy Electricals Ltd., Jhansi.
- ◆ Indian Institute of Technology (I.I.T.), Guwahti
- ◆ Tata Refractories Ltd., Belpahar (Orissa)
- ◆ Rail Coach Factory, Kapurthala.
- ◆ Lambari SA, Genthod, (Switzerland)

Why Us ?

Here are the few qualities that have enabled us to outpace our competitors in the global market. These qualities also boast of our credibility and have helped us to mark our foot prints in the market.

- ◆ Quality products
- ◆ Customization
- ◆ Tamperproof packaging
- ◆ Timely delivery schedules
- ◆ Prompt after-sales services
- ◆ Utilization of client's feedback to upgrade our products

Name of CEO

Mr. Budhish Aggarwal

Establishment Year

1980

Nature of Business

Manufacturer, Exporter & Supplier

Market Covered

Worldwide



Cnc Vertical Turning Lathe



Cast Iron Foundation Plate



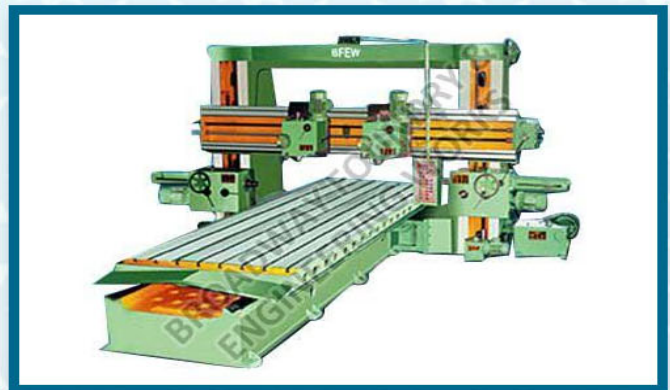
Cast Iron Angle Plates



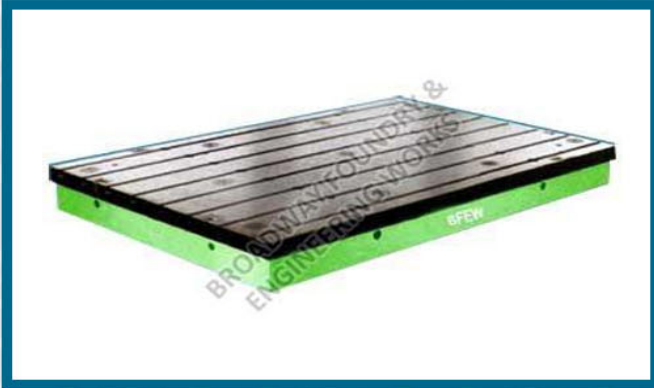
Cast Iron T Slot Bed Plate



vtl machine



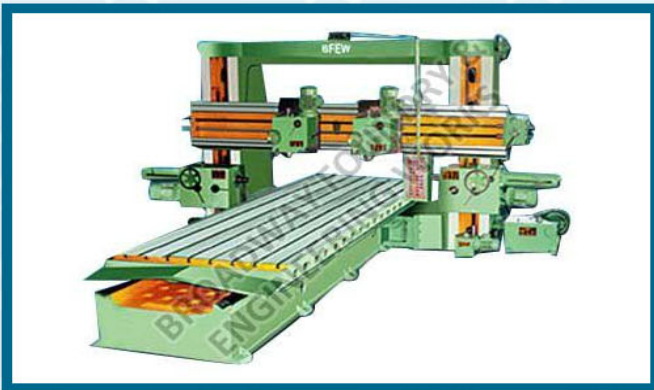
Cnc Vertical Turning Lathe



Cast Iron Test Bed



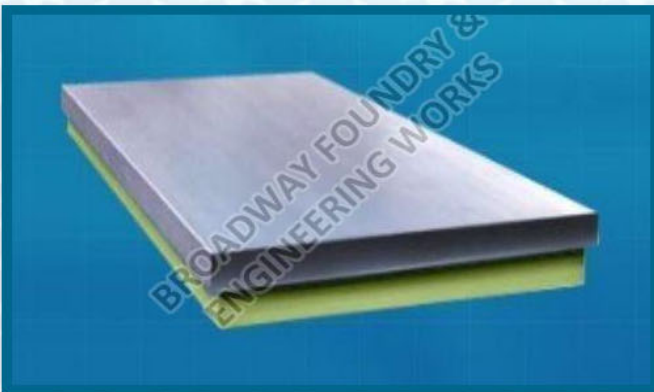
Cast Iron Floor Plate



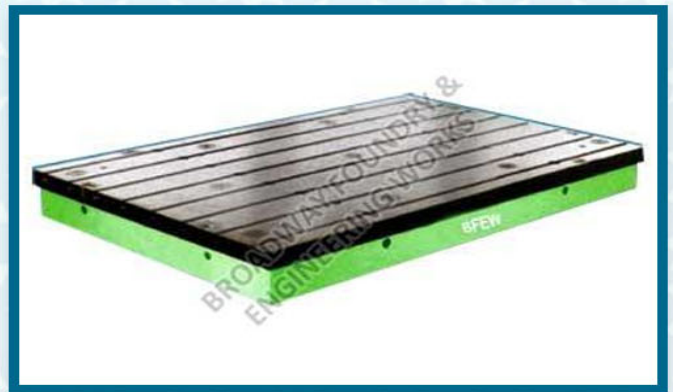
Plano Miller Machines



Rail Planer Machine



Cast Iron Floor Plates



Cast Iron Bed Plates



Cast Iron Surface plate



CNC Rotary Table



CNC Floor Boring Machine



CNC Table Type Boring Machine



Vertical Turning Lathe Machine



Vertical Boring Machine



planer milling machine



H Beam Drilling Machine



I Beam Drilling Machine



CNC Bed Milling Machine



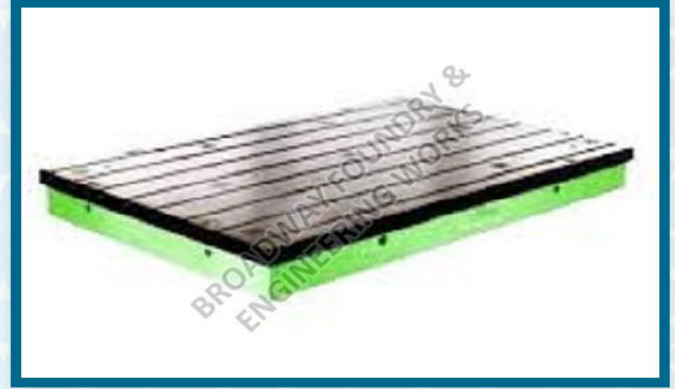
Grey Iron Casting



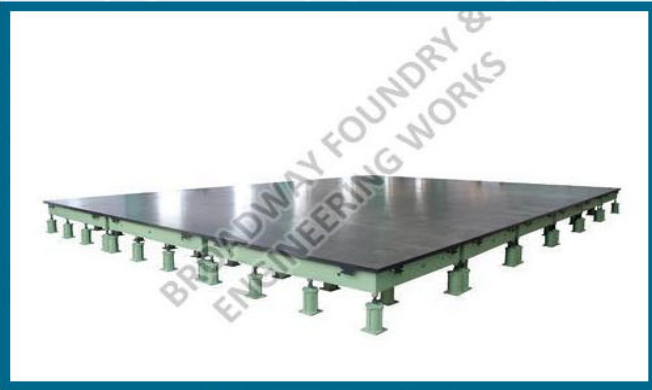
Cast Iron Casting



Cast Iron Counter Weight



cast iron T Slotted Base Plates



cast iron marking table



Cast Iron Angle Plates



Address

G.T. Road, Gt Road, Batala, Punjab, India - 143505



Call Us

+91-8847436441, +91-9855540474, 08048784056



Web Address

www.broadwayfoundry.in



Web Page

www.exportersindia.com/broadwayfoundryengineering