

The Great Wall of **SAFETY**

V-Guard Domestic Switchgears & DBs





Designed for safety

For over four decades V-Guard lived up to the reputation of making reliable products that were designed to work efficiently and last a lifetime. And now we are taking our next quantum leap. Harnessing the learnings, insights and experience of four decades it will be our endeavour to understand human lives and its relationship with the tools and appliances that he uses. And then to evolve a seamless experience with thoughtful engineered products in our quest to enriching consumer lives.

V-Guard offers a wide range of products built for day to day modern living. Domestic Switch Gears that ensure complete, foolproof safety is just another step towards this vision. V-Guard switch gears are available with more than 10000 authorized dealers and 250 distributors located across 19 states.

They are engineered to detect overcurrents due to both overload and faulty power supply, and interrupt the supply to prevent damage. Designed and developed by V-Guard's ISO 9001:2008 certified and DSIR recognized R&D, these domestic switch gears are made from high-quality components, quality checked at all stages through the manufacturing process and equipped with latest technology and advanced features to deliver superior performance.

Salient Features



Rugged and Highly reliable Switch Mechanism for long service



State of the art Arc Runner System



DB's are suitable for flush and surface mounting



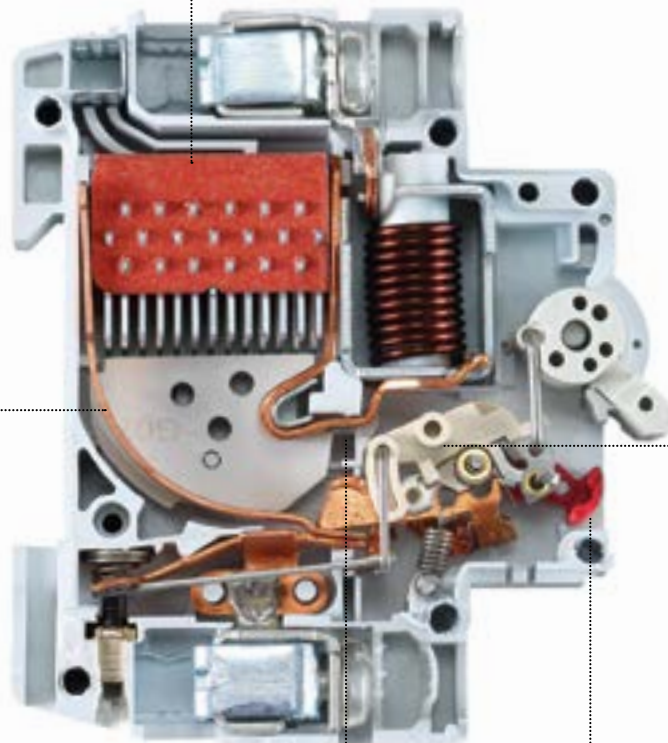
Miniature Circuit Breaker (MCB)

Voltage fluctuations should never concern you, that's just why V-Guard brings you a range of Miniature Circuit Breakers. V-Guard's MCBs will make sure all your electrical appliances are safe from any potential voltage problem.

- High quality moulded casing
- Improved and rugged design of operating mechanism
- A state-of-the-art arc runner system

Design

The superior design of the arc quenching unit and the chamber with the additional arc diverter & flash back arrester results in zero arc environment in the electrical system. This keeps the MCB from heating up.



State of art

The specially designed arc runner system delivers spectacular performance in spite of any kind of weather.

Operating Mechanism

The improved and rugged design of the operating mechanism makes sure the MCB performs outstandingly and delivers superior safety. Operating contacts stay off in the event of mechanical or spring failure due to a gravity-friendly orientation.

Indication

V-Guard MCBs have a clear and visible indicator to easily show if the circuit is switched on or off.

Life

Specially produced silver/graphite/bromide/cadmium tip delivers great anti-weld property during faults and increases the life the product.



SINGLE POLE | 10 kA - B TYPE



Rating (A)	Model	Code	MRP
6	MCB 6A SP B	1500682	195
10	MCB 10A SP B	1500699	195
13	MCB 13A SP B	1501516	195
16	MCB 16A SP B	1500688	195
20	MCB 20A SP B	1500696	195
25	MCB 25A SP B	1500684	195
32	MCB 32A SP B	1500694	195
40	MCB 40A SP B	1501553	450

Std Packaging 12 Nos | Jumbo Packaging 144 Nos.

SINGLE POLE | 10 kA - C TYPE



Rating (A)	Model	Code	MRP
0.5	MCB 0.5A SP C	1501505	330
1	MCB 1A SP C	1501528	330
2	MCB 2A SP C	1501541	330
3	MCB 3A SP C	1501548	330
4	MCB 4A SP C	1501557	330
6	MCB 6A SP C	1500681	215
10	MCB 10A SP C	1500698	215
13	MCB 13A SP C	1501517	215

Std Pack 12 Nos | Jumbo packaging 144 Nos.

Rating (A)	Model	Code	MRP
16	MCB 16A SP C	1500687	215
20	MCB 20A SP C	1500695	215
25	MCB 25A SP C	1500683	215
32	MCB 32A SP C	1500689	215
40	MCB 40A SP C	1500700	485
50	MCB 50A SP C	1501563	550
63	MCB 63A SP C	1500677	550

SINGLE POLE + NEUTRAL | 10 kA - C TYPE



Rating (A)	Model	Code	MRP
0.5	MCB 0.5A SPN C	1501506	710
1	MCB 1A SPN C	1501529	710
2	MCB 2A SPN C	1501542	710
3	MCB 3A SPN C	1501549	710
4	MCB 4A SPN C	1501558	710
6	MCB 6A SPN C	1501571	645
10	MCB 10A SPN C	1501511	645
13	MCB 13A SPN C	1501518	645

Std Pack 6 Nos | Jumbo packaging 72 Nos.

Rating (A)	Model	Code	MRP
16	MCB 16A SPN C	1501523	645
20	MCB 20A SPN C	1501533	645
25	MCB 25A SPN C	1500685	645
32	MCB 32A SPN C	1500690	645
40	MCB 40A SPN C	1501554	920
50	MCB 50A SPN C	1501564	985
63	MCB 63A SPN C	1501568	985

DOUBLE POLE | 10 kA - C TYPE



Rating (A)	Model	Code	MRP
0.5	MCB 0.5A DP C	1501503	820
1	MCB 1A DP C	1501526	820
2	MCB 2A DP C	1501539	820
3	MCB 3A DP C	1501546	820
4	MCB 4A DP C	1501555	820
6	MCB 6A DP C	1501569	670
10	MCB 10A DP C	1501509	670
13	MCB 13A DP C	1501514	670

Std Pack 6 Nos | Jumbo packaging 72 Nos.

Rating (A)	Model	Code	MRP
16	MCB 16A DP C	1501521	670
20	MCB 20A DP C	1500697	670
25	MCB 25A DP C	1500686	670
32	MCB 32A DP C	1500691	670
40	MCB 40A DP C	1500701	975
50	MCB 50A DP C	1501561	1070
63	MCB 63A DP C	1500678	1070

THREE POLE | 10 kA - C TYPE



Rating (A)	Model	Code	MRP
0.5	MCB 0.5A TP C	1501507	1070
1	MCB 1A TP C	1501530	1070
2	MCB 2A TP C	1501543	1070
3	MCB 3A TP C	1501550	1070
4	MCB 4A TP C	1501559	1070
6	MCB 6A TP C	1501572	1035
10	MCB 10A TP C	1501512	1035
13	MCB 13A TP C	1501519	1035

Std Pack 4 Nos | Jumbo packaging 48 Nos.

Rating (A)	Model	Code	MRP
16	MCB 16A TP C	1501524	1035
20	MCB 20A TP C	1501534	1035
25	MCB 25A TP C	1501537	1035
32	MCB 32A TP C	1500692	1035
40	MCB 40A TP C	1500702	1510
50	MCB 50A TP C	1501565	1595
63	MCB 63A TP C	1500679	1595

THREE POLE + NEUTRAL | 10 kA - C TYPE



Rating (A)	Model	Code	MRP
0.5	MCB 0.5A TPN C	1501508	1475
1	MCB 1A TPN C	1501531	1475
2	MCB 2A TPN C	1501544	1475
3	MCB 3A TPN C	1501551	1475
4	MCB 4A TPN C	1501560	1475
6	MCB 6A TPN C	1501573	1295
10	MCB 10A TPN C	1501513	1295
13	MCB 13A TPN C	1501520	1295

Std Pack 3 Nos | Jumbo packaging 36 Nos.

Rating (A)	Model	Code	MRP
16	MCB 16A TPN C	1501525	1295
20	MCB 20A TPN C	1501535	1295
25	MCB 25A TPN C	1501538	1295
32	MCB 32A TPN C	1500693	1295
40	MCB 40A TPN C	1500703	1815
50	MCB 50A TPN C	1501566	1925
63	MCB 63A TPN C	1500680	1925



FOUR POLE | 10 kA - C TYPE



Rating (A)	Model	Code	MRP
0.5	MCB 0.5A FP C	1501504	1600
1	MCB 1A FP C	1501527	1600
2	MCB 2A FP C	1501540	1600
3	MCB 3A FP C	1501547	1600
4	MCB 4A FP C	1501556	1600
6	MCB 6A FP C	1501570	1435
10	MCB 10A FP C	1501510	1435
13	MCB 13A FP C	1501515	1435

Std Pack 3 Nos | Jumbo packaging 36 Nos.

Rating (A)	Model	Code	MRP
16	MCB 16A FP C	1501522	1435
20	MCB 20A FP C	1501532	1435
25	MCB 25A FP C	1501536	1435
32	MCB 32A FP C	1501545	1435
40	MCB 40A FP C	1501552	1900
50	MCB 50A FP C	1501562	2060
63	MCB 63A FP C	1501567	2060

Isolators



DOUBLE POLE (DP)			
Rating (A)	Model	Code	MRP
40	ISO 40A DP	1500707/ 1602687	440
63	ISO 63A DP	1500704	550

Std Pack 6 Nos | Jumbo packaging 72 Nos.



TRIPPLE POLE (TP)			
40	ISO 40A TP	1500708	815
63	ISO 63A TP	1500705	930

Std Pack 4 Nos | Jumbo packaging 48 Nos.

FOUR POLE (FP)			
40	ISO 40A FP	1500709	960
63	ISO 63A FP	1500706	955
100	ISO 100A FP	1501744	1125

Std Pack 3 Nos | Jumbo packaging 36 Nos.

PROTECTION DEVICES

Residual Current Circuit Breaker (RCCB)

TWO POLE



30mA			
Rating (A)	Model	Code	MRP
25	RCCB 25A DP 30mA	1501489	2360
40	RCCB 40A DP 30mA	1500713	2460
63	RCCB 63A DP 30mA	1501009	3350
100mA			
25	RCCB 25A DP 100mA	1501487	2335
40	RCCB 40A DP 100mA	1501499	2405
63	RCCB 63A DP 100mA	1501501	3245
300mA			
25	RCCB 25A DP 300mA	1501488	2335
40	RCCB 40A DP 300mA	1501500	2405
63	RCCB 63A DP 300mA	1501502	3245



IS/IEC 61008-1
CML 000631772

Std Pack 6 Nos | Jumbo packaging 72 Nos.

FOUR POLE



30mA			
Rating (A)	Model	Code	MRP
25	RCCB 25A FP 30mA	1501492	2935
40	RCCB 40A FP 30mA	1500714	3035
63	RCCB 63A FP 30mA	1500710	3435
100	RCCB 100A FP 30mA	1501481	4890
100mA			
25	RCCB 25A FP 100mA	1501490	2880
40	RCCB 40A FP 100mA	1500715	2910
63	RCCB 63A FP 100mA	1500711	3405
100	RCCB 100A FP 100mA	1501479	4890
300mA			
25	RCCB 25A FP 300mA	1501491	2880
40	RCCB 40A FP 300mA	1500716	2910
63	RCCB 63A FP 300mA	1500712	3405
100	RCCB 100A FP 300mA	1501480	4890



IS/IEC 61008-1
CML 000631772

Std Pack 3 Nos | Jumbo packaging 36 Nos.

Automatic Changeover with Current Limiter (ACCL)

NEW



A changeover device transfers the load from main power supply to the generator automatically upon failure of the main power supply. It also functions as a load limiter monitoring the generator's power supply to decrease strain on the generator.

	Rating (A)	Model	Code	MRP		Rating (A)	Model	Code	MRP
Mains 30A for all models	0.5	ACCL 0.5A SPN	1505095	2045		8	ACCL 8A SPN	1505103	2045
	1	ACCL 1A SPN	1505096	2045		9	ACCL 9A SPN	1505104	2045
	1.5	ACCL 1.5A SPN	1505097	2045		10	ACCL 10A SPN	1505105	2045
	2.5	ACCL 2.5A SPN	1505098	2045		15	ACCL 15A SPN	1505106	2045
	3	ACCL 3A SPN	1505099	2045		20	ACCL 20A SPN	1505107	2045
	4	ACCL 4A SPN	1505100	2045		25	ACCL 25A SPN	1505108	2045
	5	ACCL 5A SPN	1505101	2045		30	ACCL 30A SPN	1505109	2045
	6	ACCL 6A SPN	1505102	2045					

Std Pack 18 Nos

Miniature Change Over Switch (MCOS)

DOUBLE POLE

NEW



Rating (A)	Model	Code	MRP
25	MCOS 25A DP 2W	1501576	1205
40	MCOS 40A DP 2W	1501580	1655

Std Pack 6 Nos | Jumbo packaging 72 Nos.

FOUR POLE

NEW



Rating (A)	Model	Code	MRP
25	MCOS 25A FP 2W	1501577	2055
40	MCOS 40A FP 2W	1501581	3070

Std Pack 3 Nos | Jumbo packaging 36 Nos.

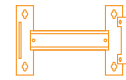
Distribution Boards

INVIDIA

MOST ADVANCED DISTRIBUTION BOARD



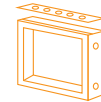
MAGNETIC DOOR LOCKING



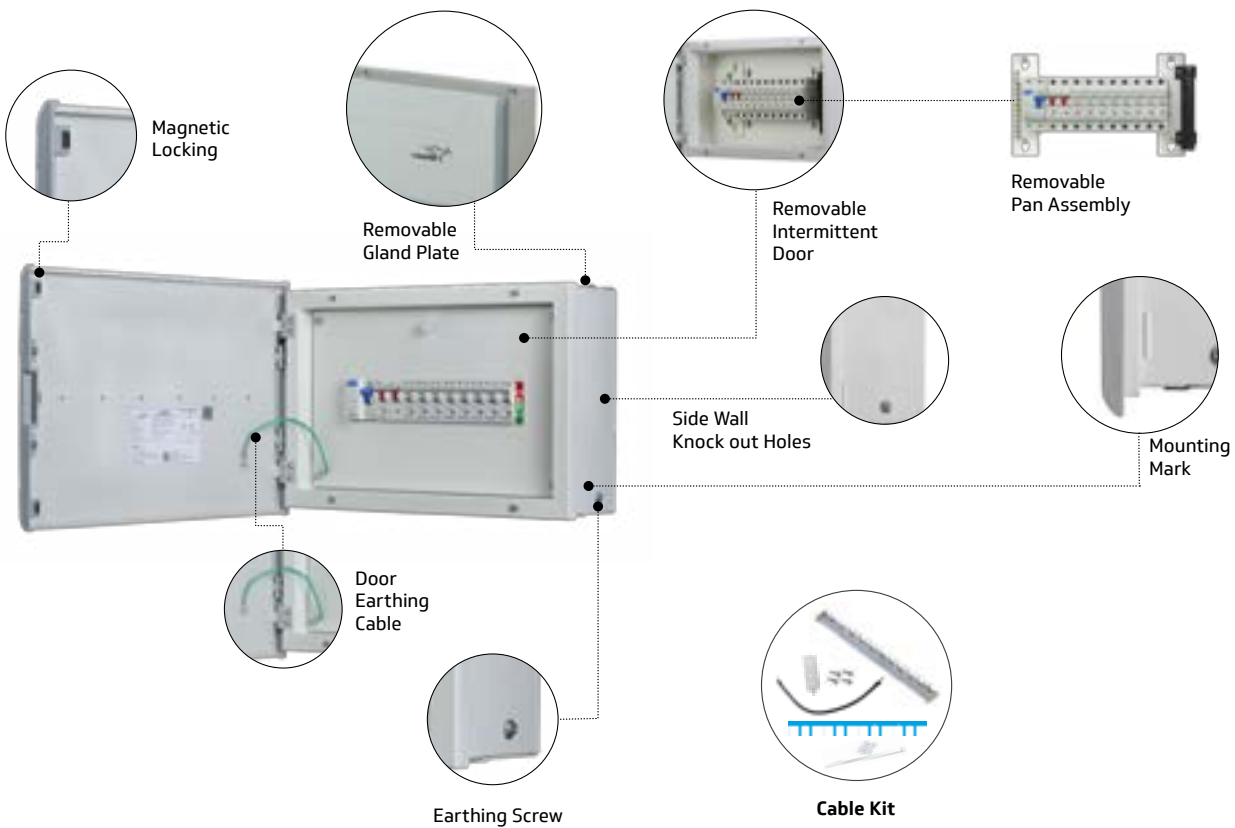
REMOVABLE PAN ASSEMBLY



REMOVABLE INTERMITTENT DOOR



DETACHABLE GLAND PLATE & RIGID BOX



SPN DOUBLE DOOR DBs



SPN DOUBLE DOOR - COLOUR RAL 9016 TRAFFIC WHITE			
No of ways	Model	Code	MRP
8	DB SPN 8W HORI DD INVIDIA	1504573	2075
10	DB SPN 10W HORI DD INVIDIA	1504569	2285
12	DB SPN 12W HORI DD INVIDIA	1504570	2420

TPN DOUBLE DOOR DBs

NEW



TPN DOUBLE DOOR WITH 8 IC - COLOUR RAL 9003 SIGNAL WHITE			
No of ways / IC	Model	Code	MRP
4/8	DB TPN 4W HORI DD INVIDIA	1504654	3355
6/8	DB TPN 6W HORI DD INVIDIA	1504655	4360
8/8	DB TPN 8W HORI DD INVIDIA	1504656	5680

PHASE SELECTOR VERTICAL DBs

(with rotary switches, duly wired & provision for 8W I/C)

NEW



PHASE SELECTOR WITH 40 A SWITCH - COLOUR RAL 9003 SIGNAL WHITE			
No.of ways / IC & Rating(A)	Model	Code	MRP
4/8 & 40A	DB PH SEL 4W 40A V DD INVIDIA	1504647	8050
6/8 & 40A	DB PH SEL 6W 40A V DD INVIDIA	1504649	8520
8/8 & 40A	DB PH SEL 8W 40A V DD INVIDIA	1504651	8920

PHASE SELECTOR WITH 63 A SWITCH - COLOUR RAL 9003 SIGNAL WHITE			
No.of ways / IC & Rating(A)	Model	Code	MRP
4/8 & 63A	DB PH SEL 4W 63A V DD INVIDIA	1504648	9455
6/8 & 63A	DB PH SEL 6W 63A V DD INVIDIA	1504650	9730
8/8 & 63A	DB PH SEL 8W 63A V DD INVIDIA	1504652	10100

SEVEN SEGMENT DBs

NEW



SEVEN SEGMENT DBs WITH 8 IC - COLOUR RAL 9003 SIGNAL WHITE			
No of ways / IC	Model	Code	MRP
4/4/8	DB 7 SEG 4W 4/8 V DD INVIDIA	1504904	7720
6/4/8	DB 7 SEG 6W 4/8 V DD INVIDIA	1504905	9195
8/4/8	DB 7 SEG 8W 4/8 V DD INVIDIA	1504906	11825

NEW

INVIDIA SPN ACRYLIC DOOR DBs

MOST ADVANCED DISTRIBUTION BOARD



REVERSIBLE OUTER
TRANSPARENT
DOOR



FABRICATED OUT OF
FLAME RETARDANT
PC MATERIAL



REMOVABLE
INTERMITTENT
DOOR

SPN INVIDIA FR AD DOUBLE DOOR DBs (With Fire Retardant box and door)



SPN FR ACRYLIC DOOR DBs			
No of ways	Model	Code	MRP
4/6	DB SPN 4/6W HORI FR AD INVIDIA	1505220	1150
7/9	DB SPN 7/9W HORI FR AD INVIDIA	1505221	1420
10/12	DB SPN 10/12W HORI FR AD INVIDIA	1505222	1650
14/16	DB SPN 14/16W HORI FR AD INVIDIA	1505223	2060
17/19	DB SPN 17/19W HORI FR AD INVIDIA	1505224	2510

SPN ACRYLIC DOOR DBs (Metal box)



No of ways	Model	Code	MRP
2/4	DB SPN 2/4W HORI AD GRPL01	1504516	935
6/8	DB SPN 6/8W HORI AD GRPL01	1504527	1050
12/14	DB SPN 12/14W HORI AD GRPL01	1504525	1500
16/18	DB SPN 16/18W HORI AD GRPL01	1504514	1825

SPN - SINGLE DOOR

NEW



No of ways	Model	Code	MRP
4	DB SPN 4W HORI SD GRPL01/ IVPL01	1500720/ 1500717	715
6	DB SPN 6W HORI SD GRPL01/ IVPL01	1500726/ 1500723	795
8	DB SPN 8W HORI SD GRPL01/ IVPL01	1500733/ 1500730	885
12	DB SPN 12W HORI SD GRPL01/ IVPL01	1500740/ 1500738	1190
16	DB SPN 16W HORI SD GRPL01/ IVPL01	1500744/ 1500743	1400

SPN - DOUBLE DOOR



No of ways	Model	Code	MRP
4	DB SPN 4W HORI DD GRPL01/ IVPL01/GRVE01	1501010/ 1501633/ 1503985	1200
6	DB SPN 6W HORI DD GRPL01/IVPL01/GRVE01	1501011/ 1501446/ 1503986	1295
8	DB SPN 8W HORI DD GRPL01/IVPL01/GRVE01	1500734/ 1500729/ 1503987	1470
10	DB SPN 10W HORI DD GRPL01/IVPL01/GRVE01	1504737/ 1504738/ 1505276	1715
12	DB SPN 12W HORI DD GRPL01/IVPL01/GRVE01	1500741/ 1500737/ 1503988	1860
16	DB SPN 16W HORI DD GRPL01/IVPL01/GRVE01	1500745/ 1501632/ 1503989	2315

TPN - DOUBLE DOOR



No of ways/IC	Model	Code	MRP
4/8	DB TPN 4W HORI DD GRPL01/ IVPL01	1500722/ 1500718	2905
6/8	DB TPN 6W HORI DD GRPL01/ IVPL01	1500728/ 1500724	3680
8/8	DB TPN 8W HORI DD GRPL01/ IVPL01	1500736/ 1500731	4695
12/8	DB TPN 12W HORI DD GRPL01/ IVPL01	1501012/ 1501634	6745

TPN - DOUBLE DOOR VERTICAL



VERTICAL TPN-DOUBLE DOOR GREY MAT			
No of ways	Model	Code	MRP
4/8	DB TPN 4W V DD GRPL01	1502347	7375
6/8	DB TPN 6W V DD GRPL01	1502348	8685
8/8	DB TPN 8W V DD GRPL01	1502349	9230



PHASE SELECTOR VERTICAL DBs

(with rotary switches, duly wired & provision for 8W I/C)



PHASE SELECTOR WITH 40 A SWITCH - COLOUR GREY MAT			
No. of ways /IC & Rating(A)	Model	Code	MRP
4/8 & 40A	DB PH SEL 4W 40A V DD GRVE01	1501996	8150
6/8 & 40A	DB PH SEL 6W 40A V DD GRVE01	1501997	8475
8/8 & 40A	DB PH SEL 8W 40A V DD GRVE01	1501998	9450

PHASE SELECTOR WITH 63 A SWITCH - COLOUR GREY MAT			
No. of ways /IC & Rating(A)	Model	Code	MRP
4/8 & 63A	DB PH SEL 4W 63A V DD GRVE01	1501999	9725
6/8 & 63A	DB PH SEL 6W 63A V DD GRVE01	1502000	9995
8/8 & 63A	DB PH SEL 8W 63A V DD GRVE01	1502001	10490

PHASE SELECTOR WITH 40 A SWITCH - COLOUR GREY MAT			
No. of ways /IC & Rating(A)	Model	Code	MRP
4/8 & 40A	DB PH SEL 4W 40A V DD GRPL03	1503789	9605
6/8 & 40A	DB PH SEL 6W 40A V DD GRPL03	1503790	9830
8/8 & 40A	DB PH SEL 8W 40A V DD GRPL03	1503791	10700

PHASE SELECTOR WITH 63 A SWITCH - COLOUR GREY MAT			
No. of ways /IC & Rating(A)	Model	Code	MRP
4/8 & 63A	DB PH SEL 4W 63A V DD GRPL03	1503792	10800
6/8 & 63A	DB PH SEL 6W 63A V DD GRPL03	1503793	11020
8/8 & 63A	DB PH SEL 8W 63A V DD GRPL03	1503794	11240
12/8 & 63A	DB PH SEL 12W 63A V DD GRPL03	1503974	13105



PHASE SELECTOR HORIZONTAL DBs

(with rotary switches, duly wired & provision for 8W I/C)



PHASE SELECTOR WITH 40 A SWITCH - COLOUR GREY MAT			
No. of ways / I/C & Rating(A)	Model	Code	MRP
4/8 & 40 (A)	DB PH SEL 4W 40A HORI DD GRVE01	1503860	6685
6/8 & 40 (A)	DB PH SEL 6W 40A HORI DD GRVE01	1503861	7115
8/8 & 40 (A)	DB PH SEL 8W 40A HORI DD GRVE01	1503862	7555

HORIZONTAL PHASE SELECTOR WITH 63 A SWITCH - COLOUR GREY MAT			
No. of ways / I/C & Rating(A)	Model	Code	MRP
4/8 & 63 (A)	DB PH SEL 4W 63A HORI DD GRVE01	1503863	8960
6/8 & 63 (A)	DB PH SEL 6W 63A HORI DD GRVE01	1503864	9400
8/8 & 63 (A)	DB PH SEL 8W 63A HORI DD GRVE01	1503865	9840

PHASE SELECTOR ENCLOSURE DBs



Rating(A)	Model	Code	MRP
40A	PH SEL ENCLOSURE 40A GRVE01	1503858	3620
63A	PH SEL ENCLOSURE 63A GRVE01	1503859	5415

MCB ENCLOSURES

NEW



MCB ENCLOSURE GREY MAT			
No. of ways	Model	Code	MRP
2	DB MCB ENCLOSURE 2W GRPL01/IVPL01	1500758/ 1500759	290
4	DB MCB ENCLOSURE 4W GRPL01/IVPL01	1500756/ 1500757	340

AC PLUG & SOCKET



Rating (A)	Model	Code	MRP
20	DB SPN 20A PLUG SOCKET GRPL01/IVPL01	1500753/ 1500751	805
20	DB SPN 20A PLUG SOCKET GRVE01/IVVE01	1504518/ 1504519	645
20	DB TPN 20A PLUG SOCKET GRPL01/IVPL01	1500752/ 1500750	2165
20	DB TPN 30A PLUG SOCKET GRPL01/IVPL01	1500755/ 1500754	2275

NEW



Rating (A)	Model	Code	MRP
20	SPN 20A METAL CLAD PLUG	1503813	195
20	SPN 20A METAL CLAD SOCKET	1503817	200
30	TPN 30A METAL CLAD PLUG	1503816	435
30	TPN 30A METAL CLAD SOCKET	1503820	435

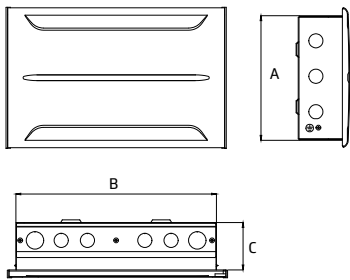
SWITCH FUSE UNIT



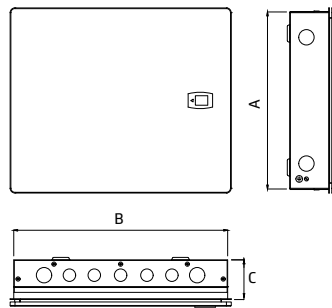
Rating (A)	Model	Code	MRP
16A	SFU 16A 240V DP	1503604	645
32A	SFU 32A 240V DP	1503605	1500
16A	SFU 16A 415V TPN	1503612	1745
32A	SFU 32A 415V TPN	1503613	2190
63A	SFU 63A 415V TPN	1503614	4640

SPECIFICATION CHART

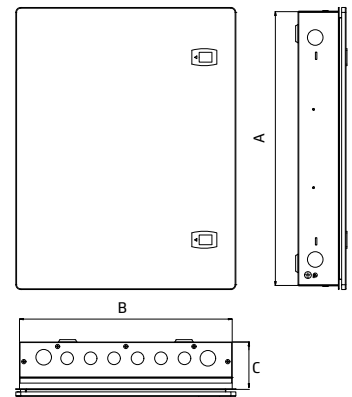
Category	Color	No of ways	Model	SAP code	Dimensions in cm		
					A(Height)	B(Width)	C(Depth)
INVIDIA SPN DBs	White glossy	8	DB SPN 8W HORI DD INVIDIA	1504573	22.8	29.5	8
		10	DB SPN 10W HORI DD INVIDIA	1504569	22.8	33.1	8
		12	DB SPN 12W HORI DD INVIDIA	1504570	22.8	36.7	8
INVIDIA TPN DBs	White mat	4	DB TPN 4W HORI DD INVIDIA	1504654	37	41.1	8.3
		6	DB TPN 6W HORI DD INVIDIA	1504655	37	44.7	8.3
		8	DB TPN 8W HORI DD INVIDIA	1504656	37	48.3	8.3
INVIDIA Phase selector DBs	White mat	4	DB PH SEL 4W 40A V DD INVIDIA	1504647	56	39.9	8.4
		6	DB PH SEL 6W 40A V DD INVIDIA	1504649	56	43.5	8.4
		8	DB PH SEL 8W 40A V DD INVIDIA	1504651	56	47.1	8.4
		4	DB PH SEL 4W 63A V DD INVIDIA	1504648	56	39.9	9.7
		6	DB PH SEL 6W 63A V DD INVIDIA	1504650	56	43.5	9.7
		8	DB PH SEL 8W 63A V DD INVIDIA	1504652	56	47.1	9.7



INVIDIA SPN DBs



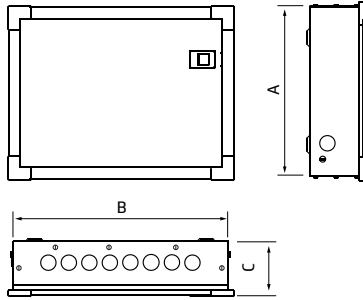
INVIDIA TPN DBs



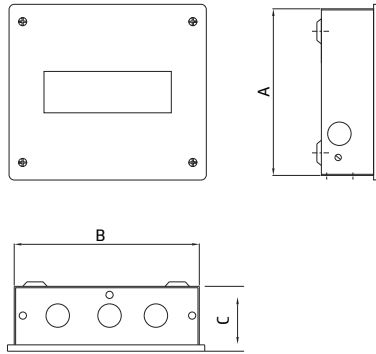
INVIDIA PHASE SELECTOR DBs

Category	Color	No. of ways	Model	SAP Code	Dimensions in cm		
					A (Height)	B (Width)	C (Depth)
SPN Double Door	Grey/ Ivory	4	DB SPN 4W HORI DD GRPL01 / IVPL01	1502359 / 1502361	22.5	13.8	9
		6	DB SPN 6W HORI DD GRPL01 / IVPL01	1502360 / 1502362	22.5	17.8	9
		8	DB SPN 8W HORI DD GRPL01 / IVPL01	1502351 / 1502357	22.5	21.4	9
		12	DB SPN 12W HORI DD GRPL01 / IVPL01	1502350 / 1502356	22.5	28.6	9
		16	DB SPN 16W HORI DD GRPL01 / IVPL01	1502352 / 1502358	22.5	35.8	9
SPN Single Door	Grey/ Ivory	4	DB SPN 4W HORI SD GRPL01 / IVPL01	1500720 / 1500717	18.3	13.7	6
		6	DB SPN 6W HORI SD GRPL01 / IVPL01	1503876 / 1503881	18.3	17.1	6
		8	DB SPN 8W HORI SD GRPL01 / IVPL01	1500733 / 1500730	18.3	20.9	6
		12	DB SPN 12W HORI SD GRPL01 / IVPL01	1500740 / 1500738	18.3	28.1	6
		16	DB SPN 16W HORI SD GRPL01 / IVPL01	1500744 / 1500743	18.3	35.3	6

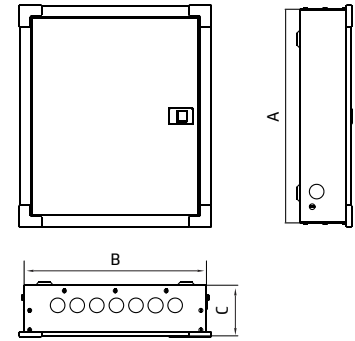
Category	Color	No. Ways	Model	SAP Code	Dimensions in cm		
					A (Height)	B (Width)	C (Depth)
TPN Double Door	Grey/Ivory	4	DB TPN 4W HORI DD GRPL01/ IVPL 01	1500722/1500718	38.5	32.6	9
		6	DB TPN 6W HORI DD GRPL01/ IVPL 01	1500728/1500724	38.5	36.2	9
		8	DB TPN 8W HORI DD GRPL01/ IVPL 01	1500736/1500731	38.5	40	9
		12	DB TPN 12W HORI DD GRPL01/ IVPL 01	1501012/1501634	44.5	65	9



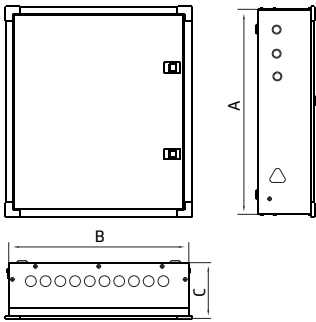
SPN Double Door DB



SPN Single Door DB

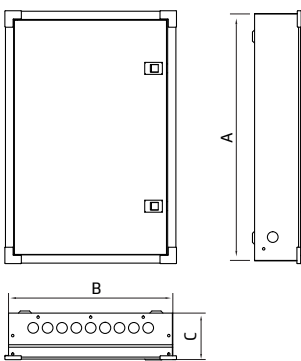


TPN Double Door DB



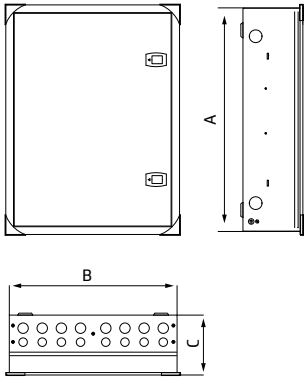
Vertical TPN DB

Category	Color	No. Ways	Model	SAP Code	Dimensions in cm		
					A (Height)	B (Width)	C (Depth)
Vertical TPN	Grey	4	DB TPN 4W V DD GRPL01	1502347	49.2	40	11.5
		6	DB TPN 6W V DD GRPL01	1502348	54.6	40	11.5
		8	DB TPN 8W V DD GRPL01	1502349	60	40	11.5



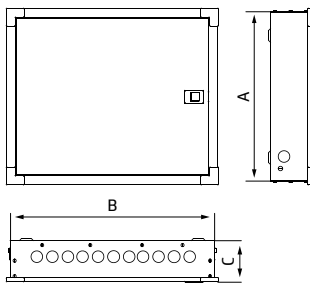
Phase Selector DB Eco Series

Category	Color	No. Ways	Model	SAP Code	Dimensions in cm		
					A (Height)	B (Width)	C (Depth)
Phase Selector DBs	Grey	4	DB PH SEL 4W 40A V DD GRVE01	1501996	60	40	11.5
		6	DB PH SEL 6W 40A V DD GRVE01	1501997	60	43.8	11.5
		8	DB PH SEL 8W 40A V DD GRVE01	1501998	60	47.4	11.5
		4	DB PH SEL 4W 63A V DD GRVE01	1501999	62	42	13.5
		6	DB PH SEL 6W 63A V DD GRVE01	1502000	62	45.6	13.5
		8	DB PH SEL 8W 63A V DD GRVE01	1502001	62	49.2	13.5



Phase Selector DB Premium Series

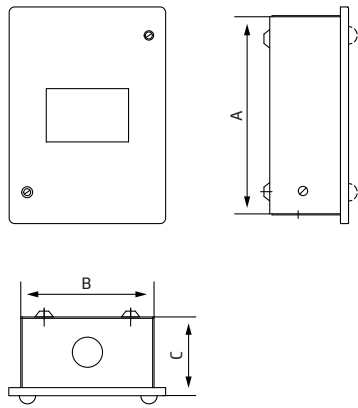
Category	Color	No. Ways	Model	SAP Code	Dimensions in cm		
					A (Height)	B (Width)	C (Depth)
Phase Selector DBs	White Mat	4	DB PH SEL 4W 40A V DD GRPL03	1503789	56	42	15
		6	DB PH SEL 6W 40A V DD GRPL03	1503790	56	45.6	15
		8	DB PH SEL 8W 40A V DD GRPL03	1503791	56	49.2	15
		4	DB PH SEL 4W 63A V DD GRPL03	1503792	56	42	15
		6	DB PH SEL 6W 63A V DD GRPL03	1503793	56	45.6	15
		8	DB PH SEL 8W 63A V DD GRPL03	1503794	56	49.2	15
		12	DB PH SEL 12W 63A V DD GRPL03		56	56.4	15



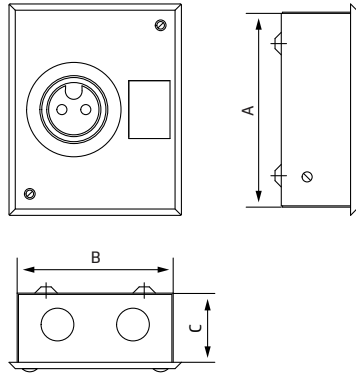
Horizontal Phase Selector DB

Category	Color	No. Ways	Model	SAP Code	Dimensions in cm		
					A (Height)	B (Width)	C (Depth)
Phase Selector DBs	Grey	4	DB PH SEL 4W 40A HORI DD GRVE01	1503860	43	48	11
		6	DB PH SEL 6W 40A HORI DD GRVE01	1503861	43	51.5	11
		8	DB PH SEL 8W 40A HORI DD GRVE01	1503862	43	54.5	11
		4	DB PH SEL 4W 63A HORI DD GRVE01	1503863	43	48	13.5
		6	DB PH SEL 6W 63A HORI DD GRVE01	1503864	43	51.5	13.5
		8	DB PH SEL 8W 63A HORI DD GRVE01	1503865	43	54.5	13.5

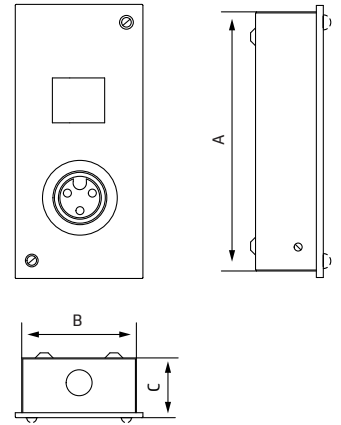
Category	Color	No. Ways	Model	SAP Code	Dimensions in cm		
					A (Height)	B (Width)	C (Depth)
Enclosure	Grey / Ivory	2	DB MCB ENCLOSURE 2W GRPL01 / IVPL01	1500758 / 1500759	17	8.3	6
		4	DB MCB ENCLOSURE 4W GRPL01 / IVPL01	1500756 / 1500757	17	12	6
Category	Color	Rating	Model	SAP Code	Dimensions in cm		
SPN Plug & Socket	Grey	20 A	DB SPN 20A PLUG SOCKET GRPL01	1500753	15.5	12.4	6
		30 A	DB TPN 20A PLUG SOCKET GRPL01	1500752	26	11.5	6
TPN Plug & Socket	Grey	20 A	DB TPN 20A PLUG SOCKET GRPL01	1500752	26	11.5	6
		30 A	DB TPN 30A PLUG SOCKET GRPL02	1500755	26	11.5	6



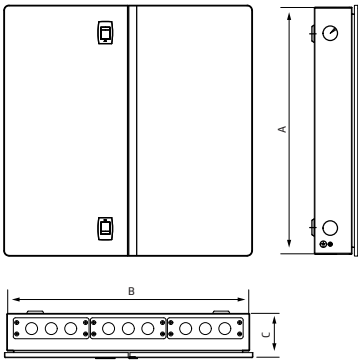
Enclosure



SPN Plug & Socket

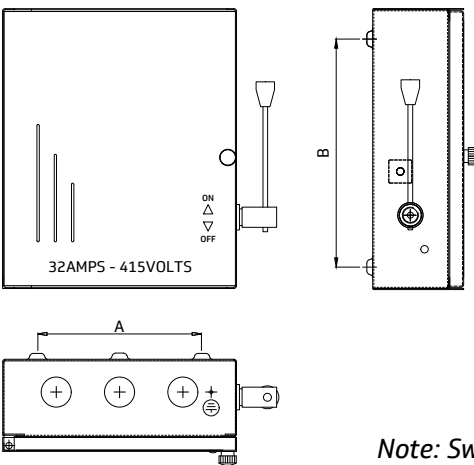


TP AC Plug & Socket



7 Segment DBs

Category	Color	No. Ways	Model	SAP Code	Dimensions in cm		
					A (Height)	B (Width)	C (Depth)
Seven Segment DB	White Mat	4	DB 7SEG 4W 4/8 V DD INVIDIA	1504904	54.2	42.5	8.5
		6	DB 7SEG 6W 4/8 V DD INVIDIA	1504905	54.2	53.3	8.5
		8	DB 7SEG 8W 4/8 V DD INVIDIA	1503791	54.2	64.1	8.5



Description	A (mm)	B (mm)
16A 240V	63	155
32A 240V	84	198
16A 415V	107	170
32A 415V	142	198
63A 415V	192	279

Note: Switch Fuse Unit can easily be mounted as per below dimensions of A & B on wall.



V-Guard Industries Ltd.,
Registered Office: 42/962,
Vennala High School Road,
Vennala, Kochi - 682028, Kerala.
Ph: 0484-2005000, 3005000
www.vguard.in



V-Guard Care
1800 103 1300 (Toll Free)
1860 180 3000 (Charges Apply)
customercare@vguard.in
CIN: L31200KL1996PLC010010