



MATOS VALVES

PRODUCT CATALOGUE



we have the wide range of products in mechanical seal suit to standard pumps like – alfalaval , akay, alekton , antico, allweller ,andritz BHEL,Durco, Ebara,flourolined, HMT, hydrovac,investa,flowserve,Jyothi,kishore,kbl,ksb,mather & platt ,microfinish,rotodel , raja dia, eurohygia,metso,sulzer,johnson,Wernet, tushaco, sam turbo, fristam grundfos & all other industrial pumps.

We also supply mechanical seals for glass lined reactor (glr),ssr, & all Agitators.

SINGLE SPRING UNBALANCED SEAL

OPREATING LIMIT

Seal Size : 20mm to 150mm
Pressure : 10Kg/Cm²
Temp : 10^oc to 210^oc

Secondary Packing : Viton, EPR, NBR, PTFE
Hardware : ss304, ss316, ss316L

FACE MATERIAL

Rotary Face : Carbon, sic, TC
Stationary Face : Sic, TC, SS+TC



CONICAL SPRING UNBALANCED SEAL

OPREATING LIMIT

Seal Size : 12mm to 80mm
Pressure : 10Kg/Cm²
Temp : -10^oc to 160^oc

Secondary Packing : Viton, EPR, NBR, PTFE
Hardware : ss304, ss316, ss316L

FACE MATERIAL

Rotary Face : Carbon, sic, TC
Stationary Face : Sic, TC, SS+TC



MULTI SPRING UNBALANCED SEAL

OPREATING LIMIT

Seal Size : 20mm to 150mm
Pressure : 12Kg/Cm²
Temp : 15^oc to 200^oc

Secondary Packing : Viton, PTFE
Hardware : ss304, ss316, ss316L

FACE MATERIAL

Rotary Face : Carbon, sic, TC
Stationary Face : Sic, TC, SS+TC



HELICAL SPRING UNBALANCED SEAL

OPERATING LIMIT

Seal Size : 20mm to 120mm
Pressure : 12Kg/Cm²
Temp : 15c to 200c

Secondary Packing : Viton, PTFE

Hardware : ss304, ss316, ss316L

FACE MATERIAL

Rotary Face : Carbon, sic, TC
Stationary Face : Sic, TC, SS+TC



ELASTOMER BELLOW UNBALANCED SEAL

(Type - 1, 2, 3)

OPERATING LIMIT

Seal Size : 10mm to 100mm
Pressure : 08Kg/Cm²
Temp : 10c to 200c

Secondary Packing : Viton, EPR, NBR, Aflas

Hardware : ss304, ss316

FACE MATERIAL

Rotary Face : Carbon, sic
Stationary Face : Sic, TC



TEFLON BELLOW UNBALANCED SEAL

OPERATING LIMIT

Seal Size : 20mm, 120mm
Pressure : 08Kg/Cm²
Temp : -30c to 250c

Secondary Packing : GFT, PTFE

Hardware : ss304, ss316

FACE MATERIAL

Rotary Face : Carbon, sic
Stationary Face : Sic, TC, SS, Ceramic



METAL BELLOW UNBALANCED SEAL

OPERATING LIMIT

Seal Size : 25mm to 100mm
Pressure : 20Kg/Cm²
Temp : -20c to 350c

Secondary Packing : Grafoil, PTFE, Viton, Aflas, FFKM, FEP

Hardware : ss316, Carpenter-42

FACE MATERIAL

Rotary Face : Carbon, sic, TC
Stationary Face : Sic, TC
Bellow Material : AM350



CARTRIDGE SEALS (Single & Double)

OPERATING LIMIT

Seal Size : 25mm to 110mm
Pressure : 25-32bar(Max)
Temp : -20c to 350c

Secondary Packing : Viton, PTFE, FEP, GFT, FFKM

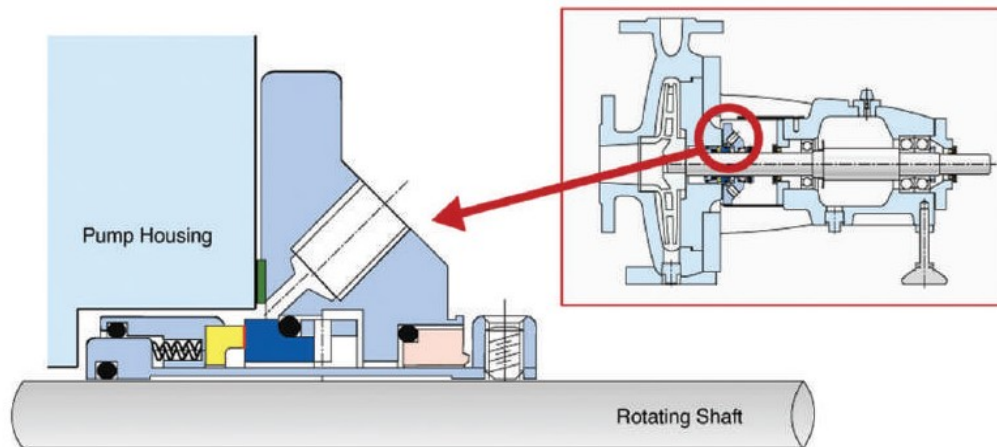
Hardware : ss316, Hast-C, Alloy-20

FACE MATERIAL

Rotary Face : Carbon, Sic, TC,
Stationary Face : Sic, TC



Sealing Arrangement in Centrifugal Pump



AGITATOR SEAL

OPERATING LIMIT

Seal Size : 25mm to 150mm
 Pressure : 40Kg/Cm²
 Temp : -20c to 250c

FACE MATERIAL

Faces : Carbon, sic, TC

Secondary Packing : Viton, PTFE, FFKM

Hardware : ss316, Hast-C, Alloy-20

Used in Chemical Industries, Bulk & Drugs, Dryers, Mills, Mixture.



DRY RUNNING SEALS

OPERATING LIMIT

Seal Size : 25mm to 100mm
 Pressure : Full Vacuum to 6kg (Max)
 Temp : -20c to 250c

FACE MATERIAL

Faces : Carbon, Sic, TC, Ceramic

Secondary Packing : Viton, PTFE, FEP, Nitrile, EPR

Hardware : ss316, Hast-C, Alloy-20

Generally used for mixture, Reactor, Pharma Industries
 Specially Used in Vacuum conditions.



MULTI SPRING BALANCE / UNBALANCE (DV1)

OPERATING LIMIT

Seal Size : 20mm to 120mm
 Pressure : 12Kg/Cm²
 Temp : -20c to 250c

FACE MATERIAL

Faces : Carbon, Sic, TC

Secondary Packing : Viton, PTFE, Nitrile, EPR

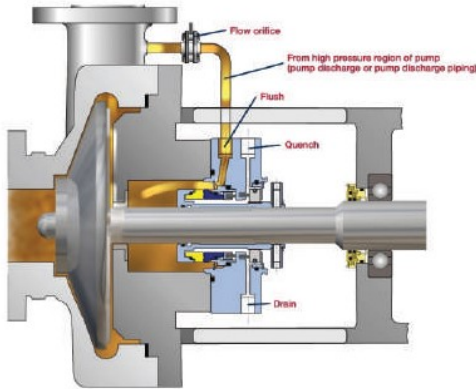
Hardware : ss316, Hast-C, Alloy-20



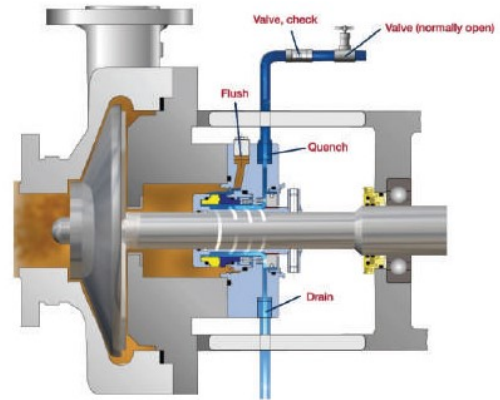
STANDARD API PLAN

supply mechanical seals with API Plan - 11, 62, 54, 02, 01, 11/62.

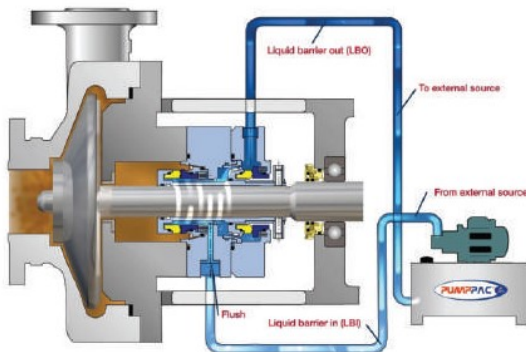
Below are some explanation of API plan in mechanical seal arrangements.



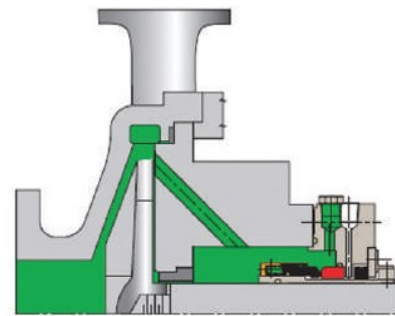
PLAN- 11



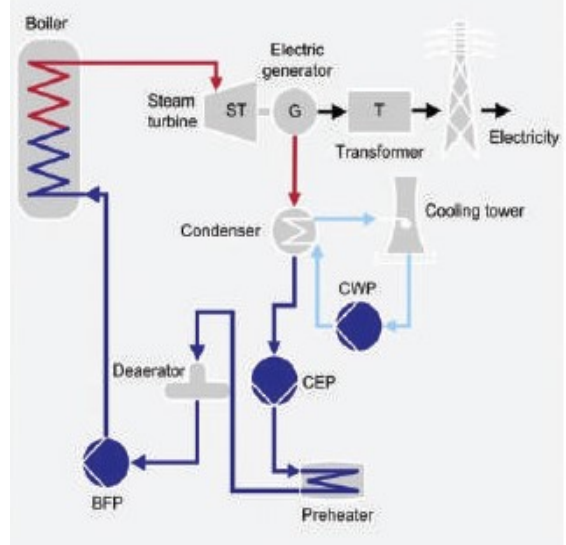
PLAN- 62



PLAN- 54



POWER PLANT FLOW DIAGRAM



supply specially designed mechanical seal

for BFP, CEP TDBOOSTER pump of all make thermal power plants like BHEL, THERMEX & Sanghai engg. make.

We supply mechanical seals for ksb(HDA series, HGC series, HGM series) , Sulzer HPT Models which are widely used in boiler feed pump of BHEL make. We also Supply BHEL 150 CJAV Pump Mechanical seal which is used in condensate extraction pump.