



*Smart People, Smart Choice*

# SK PRECAST INDUSTRIES

**Mfg. RCC Precast  
Compound Wall**



Opp. Adani CNG Pump, Delhi-Mathura Road  
Near Hanuman Mandir, Alhapur, Palwal-121102



9896 9080 99  
9712 5655 77

## COMPANY PROFILE

We, SK Precast Industries introduce our self as the company that cares for quality of cement products. The name our Company is taking for giving example of quality.

We always take the responsibilities of our product, the quality of our product & durability of our product. Moreover, our valued Customers are always supporting to us because of only our work and our quality product. We are manufacturer of prestress product, "RCC Compound wall" with different designs and Height. **"The Basic Strategy of our Company is to Provide Quality and Earn Healthy Relationship with our Client"**.

## Our Vision

We, SK Precast Industries with "Concept of 21st Century of RCC Pre-cast techniques Guaranteed Consumers in india safer, Cheaper, Re-usable RCC Compound Wall.

# SK PRECAST INDUSTRIES





## TIME AND COST SAVING CONSTRUCTION

### GENERAL CHARACTERISTICS :

- Less Space is Utilised
- Speedy Installation
- Durability
- Re-instalable
- Better Out Look
- Full RCC with Steel
- Varied Design
- Aesthetic

### PRODUCT APPLICATION :

- Compound Wall
- Godown/Industrial Shed
- Office Building
- Security Cabin
- Labour Quater
- Garden Curbing

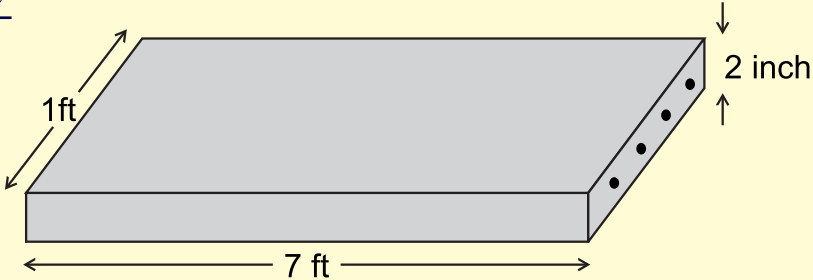
### SPECIFICATION :

Vertical Concrete Posts as wall as horizontal Planks is Caste using prestress technology with designed concrete mis to achieve maximum durability and strength.

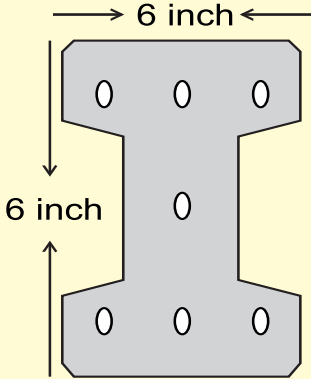


## Specification

### PLANK



Length 7 Feet (2100 mm)  
Height 1 Feet (300 mm)  
Width 2 Inches (50 mm)  
We used PCC steel with 3 mm and per set 4 pieces, with stressing system.

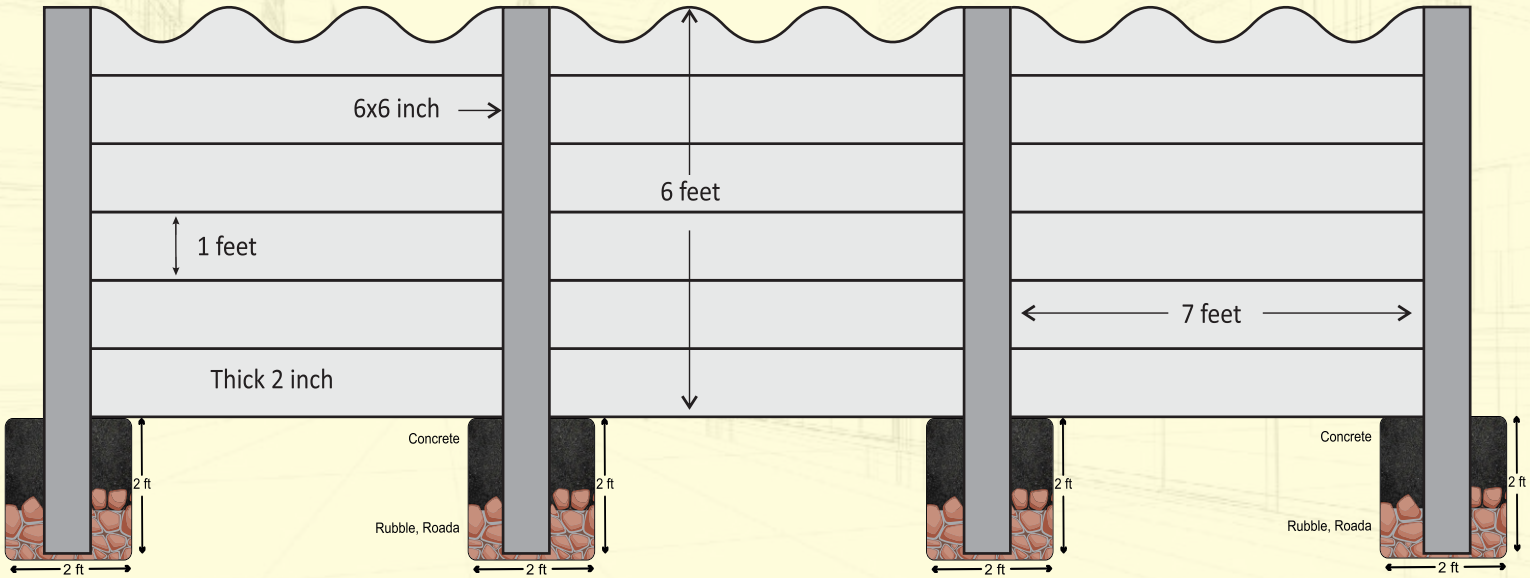


### COLUMNS

Columns are 6 X 6 inches (150x150 mm)  
We used 7 Pieces of 3 mm HT steel, with stressing system.  
Length is depend on customer's requirement.

*Concept for the 21st Century*

# Fitting Demo



**Available in 4 to 10 Feet**



**"THE PRECAST CONCRETE PEOPLE  
WITH CONCRETE REPUTATION"**



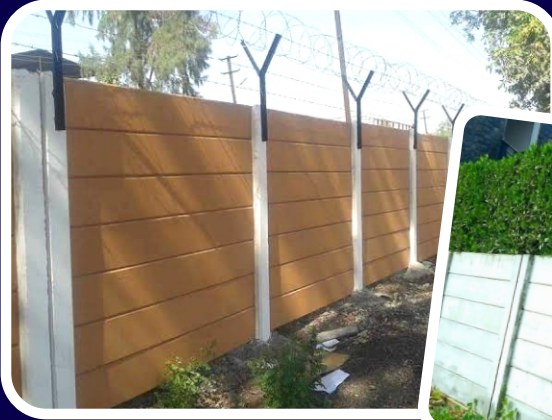


**TIME, SPACE  
& COST SAVING  
CONSTRUCTION**

**“IF IT’S PRECAST  
BUILT TO LAST”**



  
**5G** | BOUNDARY  
WALL



एक बार सेवा का मौका अवश्य दें ।



आपको शिकायत का मौका नहीं देंगे ॥

# SK PRECAST INDUSTRIES

Opp. Adani CNG Pump, Delhi-Mathura Road Near Hanuman  
Mandir, Alhapur, Palwal-121102 | ✉ [skprecastindustries@gmail.com](mailto:skprecastindustries@gmail.com)